

- ◆ COMS 2-Input AND Gate
- ◆ High Speed Operation : $t_{pd} = 2.6\text{ns TYP}$
- ◆ Operating Voltage Range : $2\text{V} \sim 5.5\text{V}$
- ◆ Low Power Consumption : $1\mu\text{A (max)}$

■ General Description

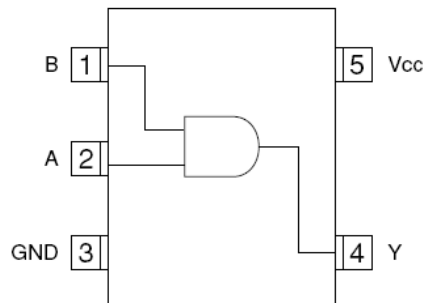
The ML74UL08MRG is a 2-input CMOS AND gate, manufactured using silicon gate CMOS fabrication.

CMOS low power circuit operation makes high speed LS-TTL operations achievable.

With a wave forming buffer connected internally, stabilized output can be achieved as the circuit offers high noise immunity.

As the ML74UL08 is integrated into mini molded, SOT-23-5 package, high density mounting possible.

■ Pin Configuration



SOT-23-5 (TOP VIEW)

■ Absolute Maximum Ratings

$T_a = -40^\circ\text{C} \sim 85^\circ\text{C}$

PARAMETER	SYMBOL	RATINGS	UNITS
Power Supply Voltage	V _{CC}	-0.5 ~ +6.0	V
Input voltage	V _{IN}	-0.5 ~ +6.0	V
Output Voltage	V _{OUT}	-0.5 ~ V _{CC} +0.5	V
Input Diode Current	I _{IK}	±20	mA
Output Diode current	I _{OK}	±20	mA
Output Current	I _{OUT}	±25	mA
V _{CC} , GND Current	I _{CC} , I _{GND}	±50	mA
Continuous Total Power Dissipation (T _a =55°C)	P _d	150	mW
Storage Temperature	T _{stg}	-65 ~ +150	°C

Note: Voltage is all Ground standardized.

■ Applications

- Palmtops
- Digital Equipment

■ Features

High Speed Operation : $t_{pd} = 2.6\text{ns TYP}$

Operating Voltage Range: $2\text{V} \sim 5.5\text{V}$

Low Power Consumption: $1\mu\text{A (max)}$

Ultra Small Package : SOT-23-5

■ Function

INPUT		OUTPUT
A	B	Y
L	L	L
L	H	L
H	L	L
H	H	H

H=High level, L=Low level

■ Recommended Operating Conditions

PARAMETER	SYMBOL	V _{cc} (V)	CONDITIONS	UNITS
Supply Voltage	V _{cc}	-	2 ~ 5.5	V
Input Voltage	V _{IN}	-	0 ~ 5.5	V
Output Voltage	V _{OUT}	-	0 ~ V _{cc}	V
Operating Temperature	T _{opr}	-	-40 ~ +85	°C
Output Current	I _{OH}	3.0	-4	mA
		4.5	-8	
	I _{OL}	3.0	4	
		4.5	8	
Input Rise and Fall Time	tr, tf	3.3	0 ~ 100	ns
		5.0	0 ~ 20	

■ DC Electrical Characteristics

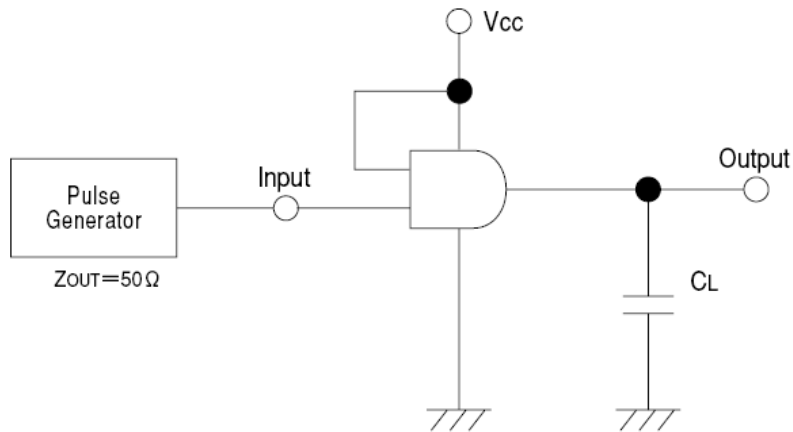
PARAMETER	SYMBOL	V _{cc} (V)	CONDITIONS	Ta=25°C			Ta=-40~85°C		UNITS	
				MIN	TYP	MAX	MIN	MAX		
Input Voltage	V _{IH}	2.0		1.5	-	-	1.5	-	V	
		3.0		2.1	-	-	2.1	-		
		5.5		3.85	-	-	3.85	-		
	V _{IL}	2.0		-	-	0.5	-	0.5	V	
		3.0		-	-	0.9	-	0.9		
		5.5		-	-	1.65	-	1.65		
Output Voltage	V _{OH}	2.0	V _{IN} =V _{IH}	I _{OH} =-50μA	1.9	2.0	-	1.9	-	V
		3.0			2.9	3.0	-	2.9	-	
		4.5			4.4	4.5	-	4.4	-	
		3.0		I _{OH} =-4mA	2.58	-	-	2.48	-	
		4.5		I _{OH} =-8mA	3.94	-	-	2.80	-	
	V _{OL}	V _{IN} =V _{IH} or V _{IL}	I _{OL} =50μA	2.0	-	-	0.1	-	0.1	V
				3.0	-	-	0.1	-	0.1	
				4.5	-	-	0.1	-	0.1	
			3.0	I _{OL} =4mA	-	-	0.36	-	0.44	
			4.5	I _{OL} =8mA	-	-	0.36	-	0.44	
Input Current	I _{IN}	5.5	V _{IN} =V _{cc} or GND	-0.1	-	0.1	-1.0	1.0	μA	
Quiescent Supply Current	I _{cc}	5.5	V _{IN} =V _{cc} or GND, I _{OUT} =0μA	-	-	1.0	-	10.0	μA	

■ Switching Electrical Characteristics

PARAMETER	SYMBOL	C _L	V _{cc} (V)	CONDITIONS	Ta=25°C			Ta=-40~85°C		UNITS
					MIN	TYP	MAX	MIN	MAX	
Propagation Delay Time	t _{PLH}	15pF	3.3		-	3.7	8.8	1.0	10.5	ns
			5.0		-	2.8	5.9	1.0	7	
		50pF	3.3		-	5.2	12.3	1.0	14	ns
			5.0		-	3.7	7.9	1.0	9	
	t _{PHL}	15pF	3.3		-	3.2	8.8	1.0	10.5	ns
			5.0		-	2.4	5.9	1.0	7	
		50pF	3.3		-	4.5	12.3	1.0	14	ns
			5.0		-	3.4	7.9	1.0	9	
Input Capacitance	C _{IN}	-	5.0	V _{IN} =V _{cc} or GND	-	4	10	-	10	pF
Power Dissipation Capacitance	C _{pd}	No Load, f=1MHz			-	9.3	-	-	-	pF

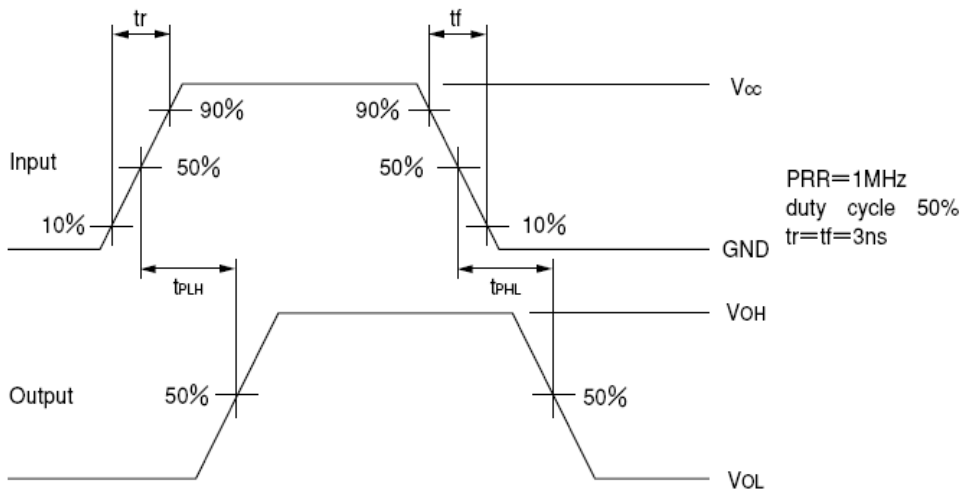
Tr=tf=3ns

■ Typical Application Circuit



Note: Open output when measuring supply current

■ Waveforms



DISCLAIMER:

The information presented in this document does not form part of any quotation or contract, is believed to be accurate and reliable and may be changed without notice. No liability will be accepted by the publisher for any consequence of its use.