

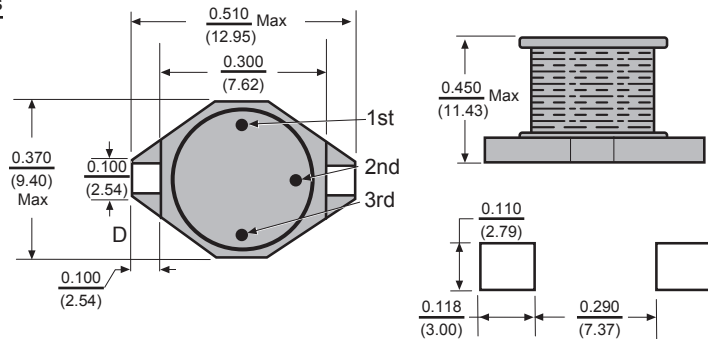


Power Chip Inductors PCI50



* Notice of marking change see "Marking" below.

Dimensions: Inches
(mm)



Allied Part Number	Inductance (μh)	Tolerance (%)	SRF (MHz) TYP.	DCR Max. (Ω)	Isat (A)	Irms (A)
PCI50-4R7M-RC	4.7	20	25	.033	8.0	3.5
PCI50-100M-RC	10	20	22	.033	8.0	3.5
PCI50-150M-RC	15	20	18	.042	7.0	3.0
PCI50-220M-RC	22	20	11	.054	5.5	2.5
PCI50-330M-RC	33	20	9.0	0.08	4.0	2.0
PCI50-470M-RC	47	20	8.0	0.10	3.8	1.6
PCI50-680M-RC	68	20	7.0	0.17	3.0	1.2
PCI50-101M-RC	100	20	5.0	0.22	2.5	1.2
PCI50-151M-RC	150	20	4.0	0.34	2.0	0.9
PCI50-221M-RC	220	20	3.5	0.44	1.6	0.7
PCI50-331M-RC	330	20	2.5	0.70	1.2	0.6
PCI50-471M-RC	470	20	2.0	0.95	1.0	0.3
PCI50-681M-RC	680	20	2.0	1.20	1.0	0.2
PCI50-102M-RC	1000	20	1.5	2.00	0.8	0.1

All specifications subject to change without notice.

Features

- High current capacity in a small foot print
- High energy storage and low DCR
- Designed with high heat resistant materials for reflow operation
- Wrap around terminals for excellent solder quality and inspection
- Flat top for pick and place assembly
- Non-standard values available

Electrical

Inductance Range: 4.7μh to 1000μh.

Tolerance: ± 20% over the entire inductance range.

Test Frequency: Inductance measured at 100KHz, 0.1 Vrms.

Operating Temp. Range: -40° to +85°C.

Inductance Drop: 20% typical at the rated Isat.

Temperature Rise: ΔT=40°C rise typical at I_{rms}.

Physical

Marking: Notice: We will be changing our marking system to the 4 character EIA code for inductance and tolerance. For example: "101K" for 100μh 10%.

Packaging: 225 pieces per 13 inch reel.