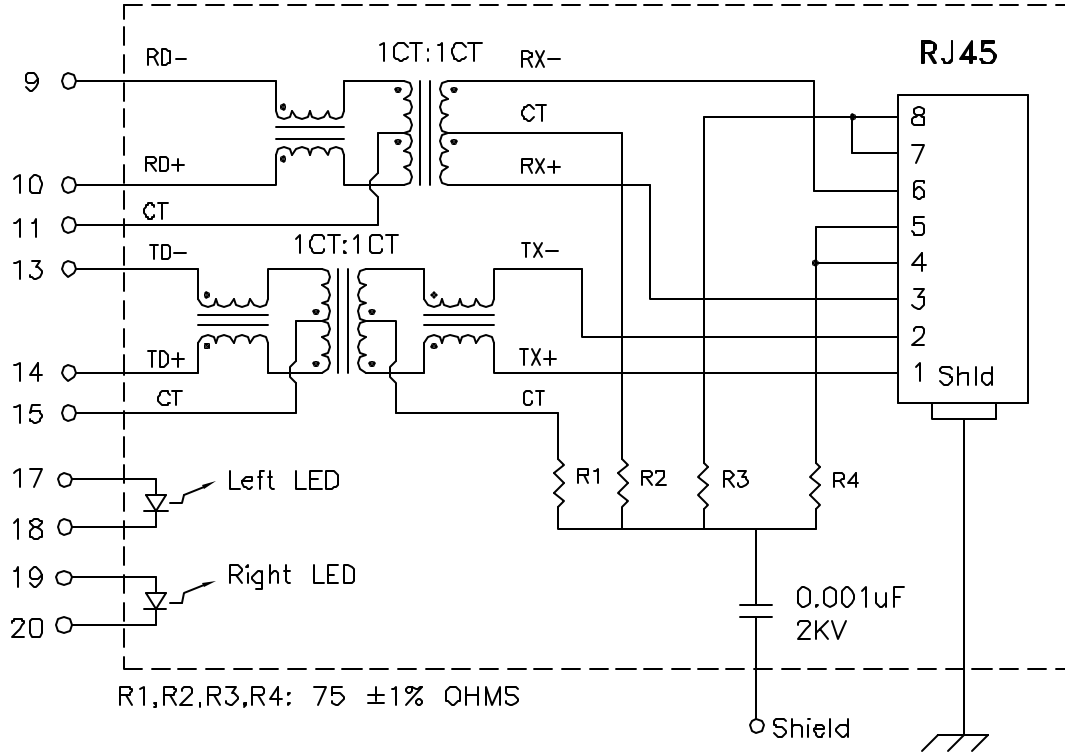


Schematic:



Electrical Specifications: @25°C

Isolation Voltage: 1500Vrms(INPUT to OUTPUT), 500Vrms(TD to RD)

UTP SIDE OCL: 350uH Min @100KHz 100mV 8mADC

Rise Time (10-90%): 2.5ns Typical

Insertion Loss (300KHz-100MHz): -1.1dB Maximum

Insertion Loss (100MHz-125MHz): -1.5dB Maximum

Return Loss: -18dB Min. @30MHz

-12dB Min. @80MHz

Crosstalk:

300KHz-60MHz -40dB Typical

60MHz-100MHz -38dB Typical

Common Mode to Differential Mode Rejection:

300KHz-60MHz -45dB Typ (Tx) / -40dB Typ (Rx)

60MHz-100MHz -40dB Typ (Tx) / -35dB Typ (Rx)

Complete the Combo P/N as follows:

Replace 'x' & 'u' in the part number with one of the LED color letters:

Y=Yellow

'x' = Left LED Color

G=Green

'u' = Right LED Color

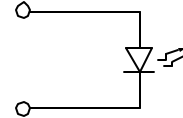
A=Amber

R=Red

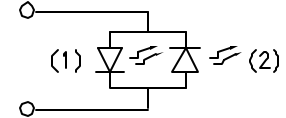
N=Yellow(1)/Green(2) Bicolor

M=Green(1)/Yellow(2) Bicolor

Single Color LED:



Bi-Color LED:



Notes:

- Solderability: Leads shall meet MIL-STD-202G, Method 208H for solderability.
- Flammability: UL94V-0
- ASTM oxygen index: > 28%
- Insulation System: Class F 155°C. UL file E151556
- Operating Temperature Range: All listed parameters are to be within tolerance from -40°C to +85°C
- Storage Temperature Range: -55°C to +125°C
- Aqueous wash compatible
- Electrical and mechanical specifications 100% tested
- RoHS Compliant Component

DOC. REV A/11

PROPRIETARY

Document is the property of XFMRs Group & is not allowed to be duplicated without authorization.

XFMRs Inc.
www.XFMRs.com

UNLESS OTHERWISE SPECIFIED
TOLERANCES:
.x ±0.25
Dimensions in MM

Title: **Stacked USB COMBO**

P/N: XFATM2-USBxu-2

REV. A

DWN.

Juan Mao

May-07-08

CHK.

YK Liao

May-07-08

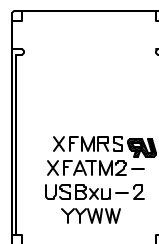
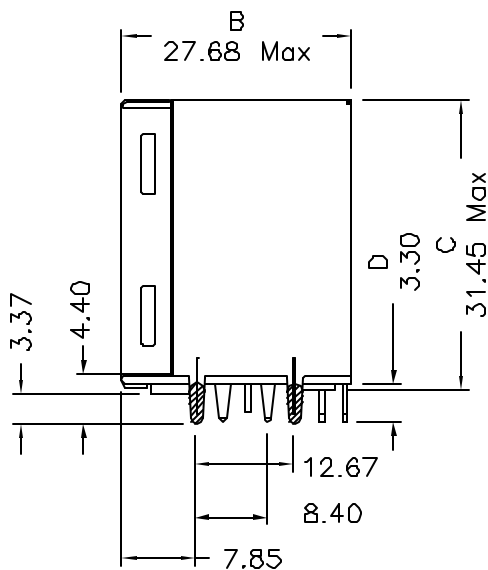
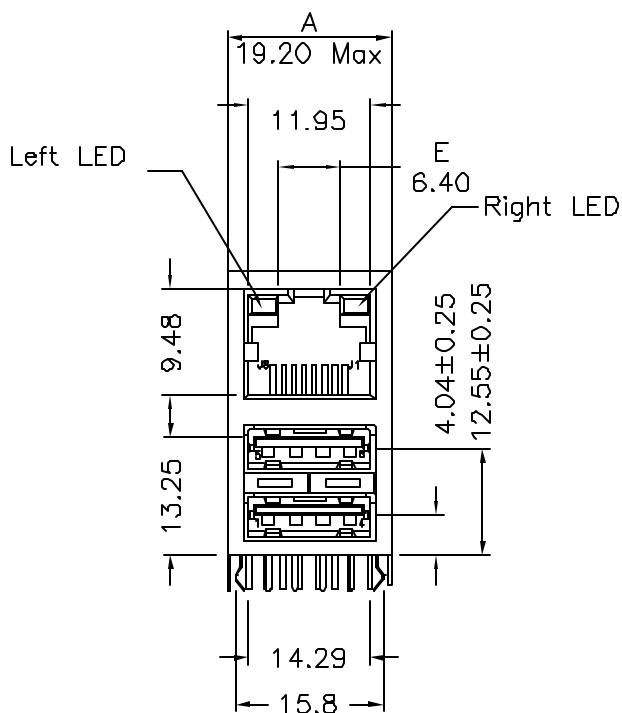
SHEET 1 OF 3

APP.

BW

May-07-08

Mechanical Dimensions:



TOP VIEW

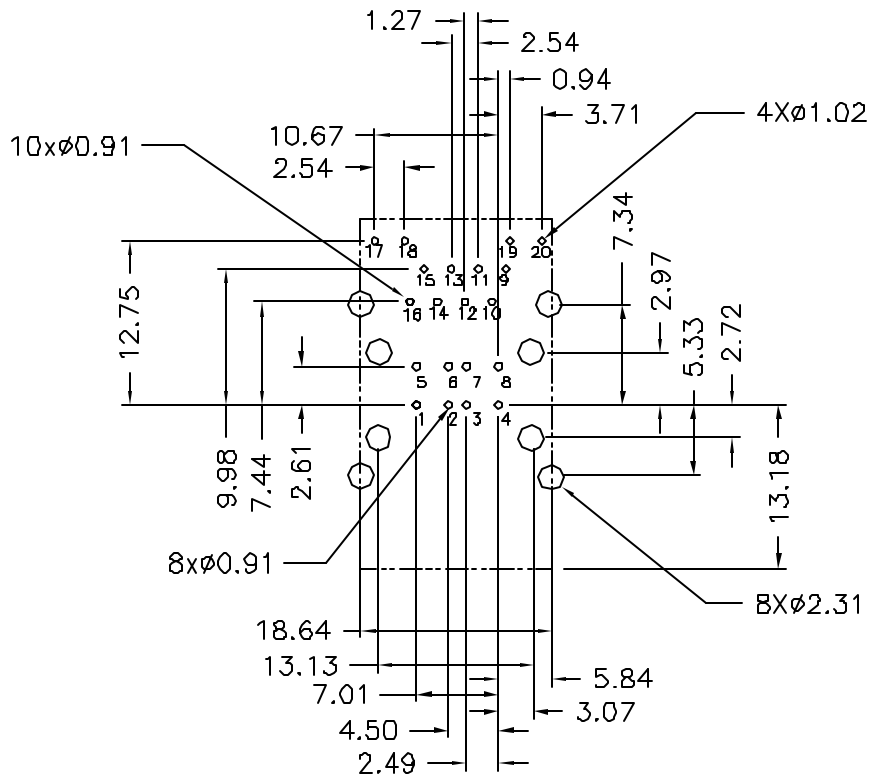
DOC. REV. A/11

PROPRIETARY

Document is the property of XFMRS Group & is not allowed to be duplicated without authorization.

XFMRS Inc. www.XFMRS.com		Title: Mechanical Dimensions For STACKED USB COMBO	
UNLESS OTHERWISE SPECIFIED TOLERANCES: .x ±0.25 Dimensions in MM		P/N: XFMRS-USBxu-2	REV. A
		DWN. Juan Mao	May-07-08
SHEET 2 OF 3		CHK. YK Liao	May-07-08
		APP. BW	May-07-08

Mechanical Dimensions (cont.):



SUGGESTED PC BOARD LAYOUT VIEW
FROM COMPONENT SIDE

DOC. REV. A/11

PROPRIETARY

Document is the property of XFMRs Group & is not allowed to be duplicated without authorization.

XFMRs Inc. www.XFMRs.com		Title: Mechanical Dimensions For STACKED USB COMBO	
UNLESS OTHERWISE SPECIFIED TOLERANCES: .xxx ±0.25 Dimensions in MM		P/N: XFATM2-USBxu-2	REV. A
		DWN. Juan Mao	May-07-08
SHEET 3 OF 3		CHK. YK Liao	May-07-08
		APP. BW	May-07-08