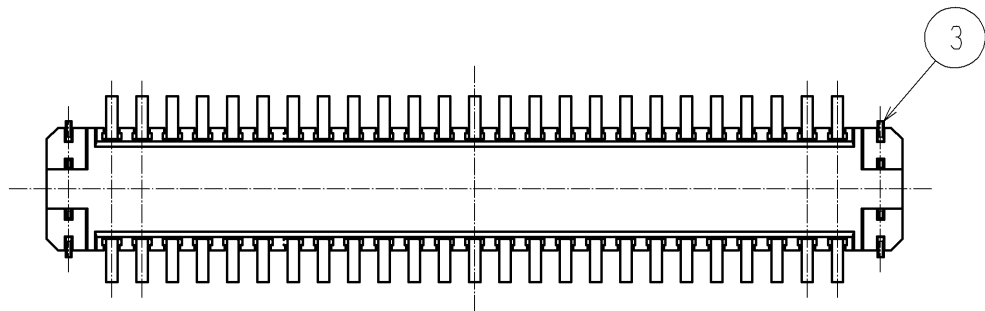
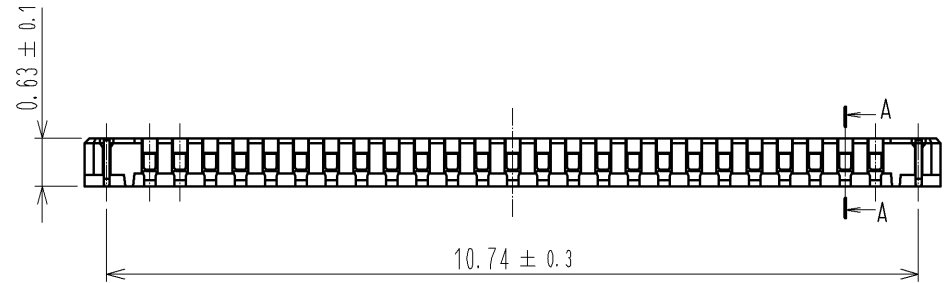
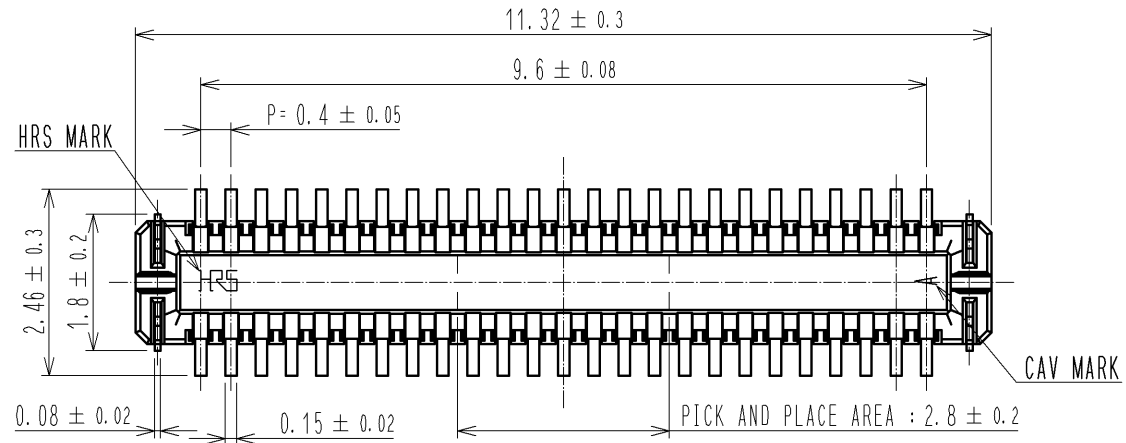
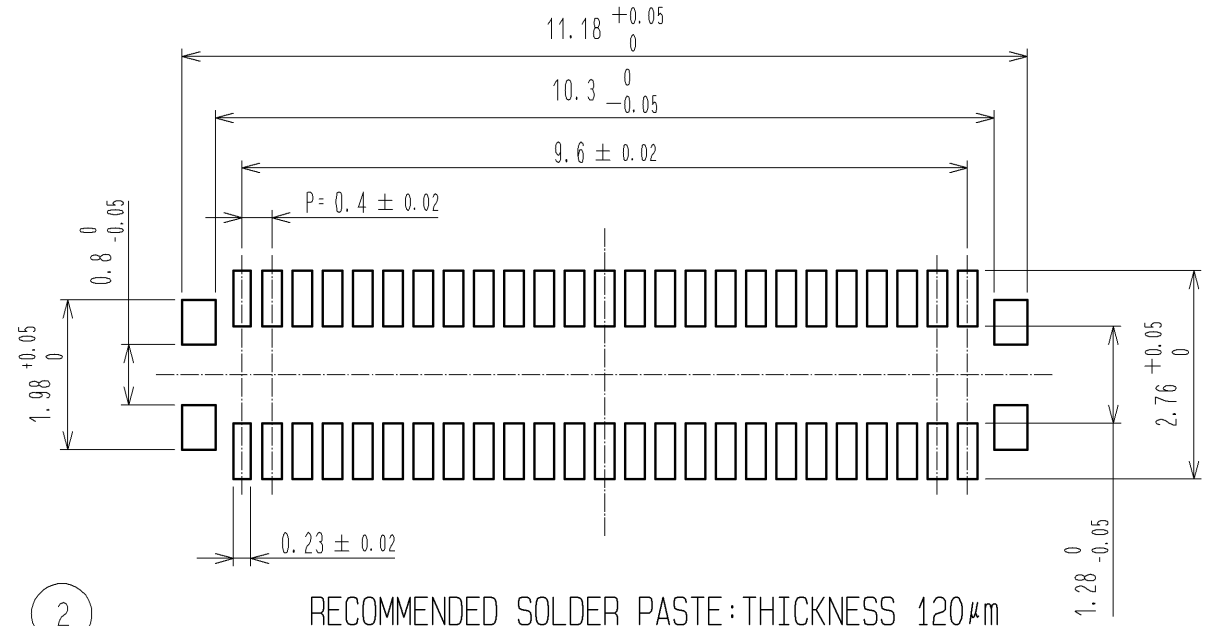


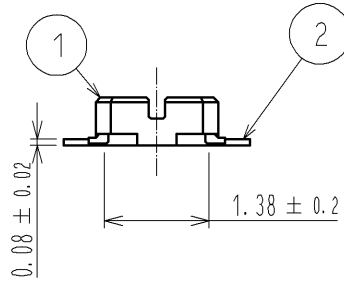
APPLICABLE STANDARD					
RATING	OPERATING TEMPERATURE RANGE	-35°C TO +85°C (NOTES 1)	STORAGE TEMPERATURE RANGE	-10°C TO +60°C	
	VOLTAGE	30V AC	APPLICABLE CONNECTOR	BM10*(0.8)-50DS-0.4V(*)	
	CURRENT	0.3A			
SPECIFICATIONS					
ITEM	TEST METHOD		REQUIREMENTS	QT	AT
CONSTRUCTION					
GENERAL EXAMINATION	CONFIRMED VISUALLY AND BY MEASURING INSTRUMENT.		ACCORDING TO DRAWING.	X	X
MARKING	CONFIRMED VISUALLY.			X	X
ELECTRIC CHARACTERISTICS					
CONTACT RESISTANCE	20mV AC OR LESS 1kHz, 1mA.		100mΩ MAX.	X	-
INSULATION RESISTANCE	100V DC.		50MΩ MIN.	X	-
VOLTAGE PROOF	100V AC FOR 1 min.		NO FLASHOVER OR BREAKDOWN.	X	-
MECHANICAL CHARACTERISTICS					
INSERTION AND WITHDRAWAL FORCES	MEASURED BY APPLICABLE CONNECTOR.		INSERTION FORCE 50.7N MAX WITHDRAWAL FORCE 9.8N MIN	X	-
MECHANICAL OPERATION	10 TIMES INSERTIONS AND WITHDRAWAL.		① CONTACT RESISTANCE: 100mΩ MAX. ② NO DAMAGE, CRACK OR LOOSENESS OF PARTS.	X	-
VIBRATION	FREQUENCY 10 TO 55 TO 10 Hz, APPROX 5min, SINGLE AMPLITUDE 0.75 mm, 10CYCLES, FOR 3 DIRECTIONS.		① NO ELECTRICAL DISCONTINUITY OF 1 μs. ② NO DAMAGE, CRACK OR LOOSENESS OF PARTS.	X	-
SHOCK	490 m/s ² DURATION OF PULSE 11 ms AT 3 TIMES FOR 3 DIRECTIONS.		① NO ELECTRICAL DISCONTINUITY OF 1 μs. ② NO DAMAGE, CRACK OR LOOSENESS OF PARTS.	X	-
ENVIRONMENTAL CHARACTERISTICS					
RAPID CHANGE OF TEMPERATURE	TEMPERATURE -55 → +85 °C TIME 30 → 30 min UNDER 5 CYCLES. (RELOCATION TIME TO CHAMBER: WITHIN 2 ~3 MIN)		① CONTACT RESISTANCE: 100mΩ MAX. ② INSULATION RESISTANCE: 50MΩ MIN. ③ NO DAMAGE, CRACK OR LOOSENESS OF PARTS.	X	-
DAMP HEAT (STEADY STATE)	EXPOSED AT 40 ± 2 °C, 90 TO 95 %, 96 h.		① CONTACT RESISTANCE: 100mΩ MAX. ② INSULATION RESISTANCE: 25MΩ MIN. ③ NO DAMAGE, CRACK OR LOOSENESS OF PARTS.	X	-
SULPHUR DIOXIDE	EXPOSED IN 25 PPM FOR 96h, 25°C, 75%. (REFER TO JIS C 60068)		① CONTACT RESISTANCE: 100mΩ MAX. ② NO DAMAGE, CRACK OR LOOSENESS OF PARTS.	X	-
	COUNT	DESCRIPTION OF REVISIONS	DESIGNED	CHECKED	DATE
REMARKS					
NOTE1: INCLUDE THE TEMPERATURE RISING BY CURRENT			APPROVED	KH. IKEDA	09.04.22
			CHECKED	TS. MIYAZAKI	09.04.22
			DESIGNED	NY. YAMASHIRO	09.04.22
Unless otherwise specified, refer to JIS C 5402 and IEC 60512			DRAWN	SH. HOSODA	09.04.22
Note QT:Qualification Test AT:Assurance Test X:Applicable Test	DRAWING NO.		ELC4-317792-01		
HRS	SPECIFICATION SHEET		PART NO.	BM10B(0.8)-50DP-0.4V(51)	
	HIROSE ELECTRIC CO., LTD.		CODE NO.	CL684-6017-9-51	1/1



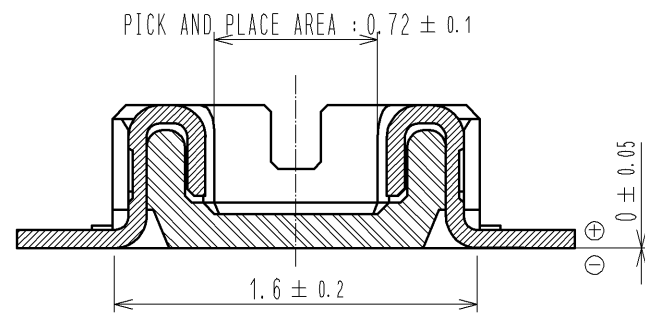
RECOMMENDED PATTERN



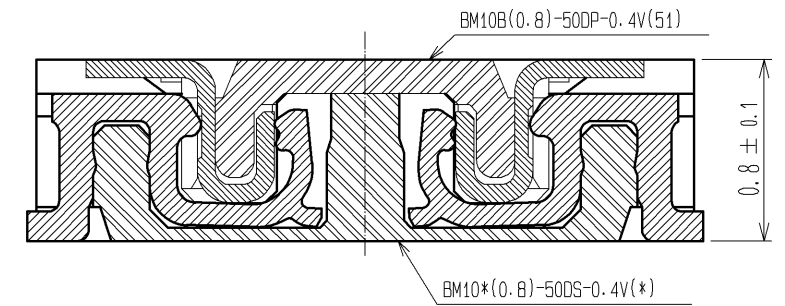
RECOMMENDED SOLDER PASTE: THICKNESS 120µm



A-A(FREE)



ENGAGEMENT FIGURE(FREE)



NOTES) 1. ALL LEADS CO-PLANARITY SHALL BE 0.1 mm MAX.
 2. PER REEL : 8,000 CONNECTORS.
 3. AT THE BEGINNING OF THE REEL, 100 mm AT MIN SHALL BE EMPTY POCKETS.
 AT THE END OF THE REEL, 160 mm AT MIN SHALL BE EMPTY.

4. CONTACT PLATING SPECIFICATIONS.
 CONTACT AREA : GOLD 0.05µm MIN.
 SMT LEAD : GOLD 0.05µm MIN.
 UNDERPLATING : NICKEL 1µm MIN.
 (SURFACE : SEALING)

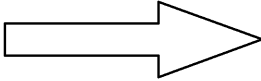
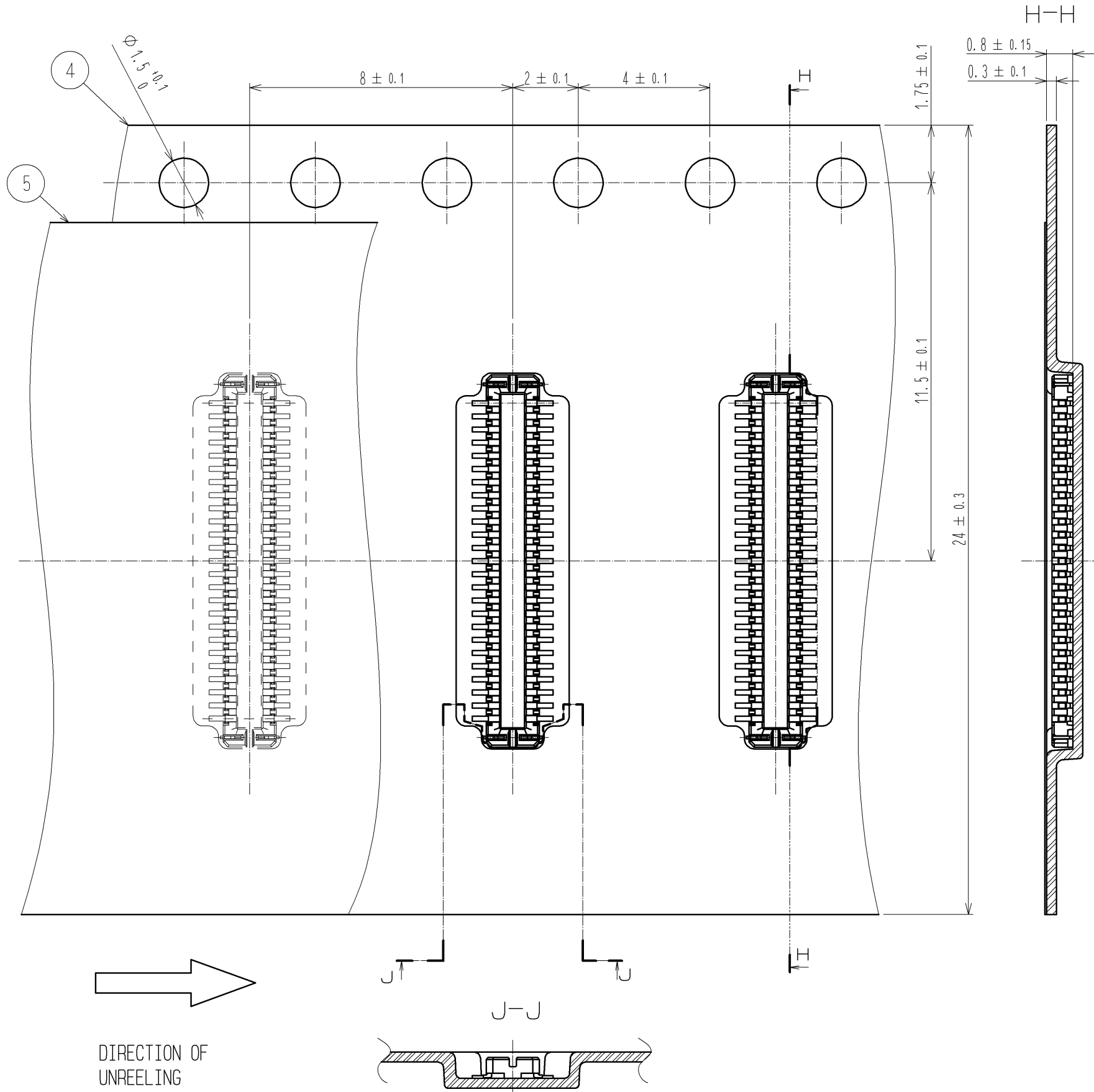
5. METAL HOLD DOWN PLATING SPECIFICATIONS.
 MOUNTING AREA: GOLD 0.05µm MIN.
 UNDERPLATING : NICKEL 1µm MIN.
 6. PEEL FORCE OF COVER TAPE REFERS TO JIS C 0806.

3	PHOSPHOR BRONZE	5	6	PS	PLASTIC REEL (BLACK)
2	PHOSPHOR BRONZE	4	5	POLYESTER	CLEAR (COVER TAPE)
1	LCP	UL94V-0, BLACK	4	PS	CLEAR (EMBOSSED CARRIER TAPE)
NO.	MATERIAL	FINISH, REMARKS	NO.	MATERIAL	FINISH, REMARKS
UNITS	mm	SCALE	10:1	COUNT	0
		DESCRIPTION OF REVISIONS	DESIGNED	CHECKED	DATE
		DIS-H-003925	SH. HOSODA	TS. MIYAZAKI	09.05.27
APPROVED : KH. IKEDA		08.10.24	DRAWING NO. EDC3-317792-01		
CHECKED : KY. MIDORIKAWA		08.10.24	PART NO. BM10B(0.8)-50DP-0.4V(51)		
DESIGNED : NY. YAMASHIRO		08.10.24	CODE NO. CL684-6017-9-51		
DRAWN : SH. HOSODA		08.10.24			

参考図：ご確認。正式には別途納入仕様書をご請求願います。

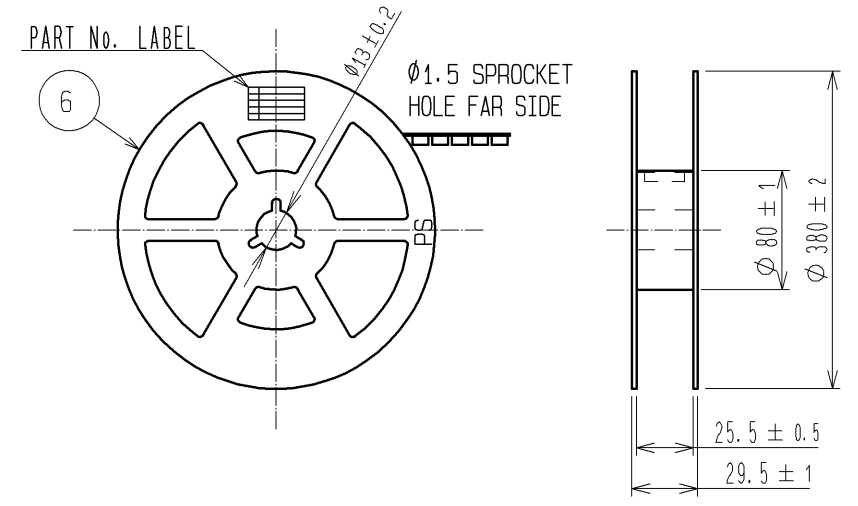
2010/05/11 03:25:11 CAROL TRIBBLE

EMBOSSED CARRIER TAPE DIMENSIONS(FREE)



DIRECTION OF UNREELING

STYLE AND DIMENSION OF REEL (FREE)



DETAIL OF PART No. LABEL

SUPPLIER	
QUANTITY	
PART NO.	
CODE NO.	
DATE OF MANUFACTURED (YEAR-MONTH-DAY)	
生産月日	年 月 日
函番	CL684-6017-9-51
品名	BM10B(0.8)-50DP-0.4V(51)
納入数量	8000個
納入者	ヒロセ電機(株)

HRS	DRAWING NO.	EDC3-317792-01
	PART NO.	BM10B(0.8)-50DP-0.4V(51)
	CODE NO.	CL684-6017-9-51
		2/2