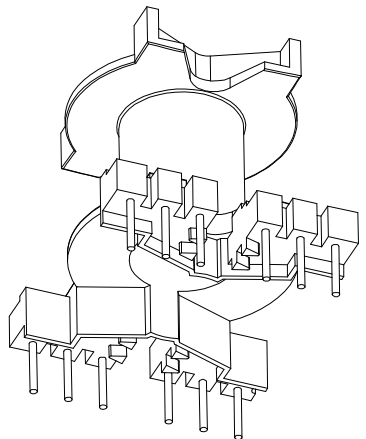
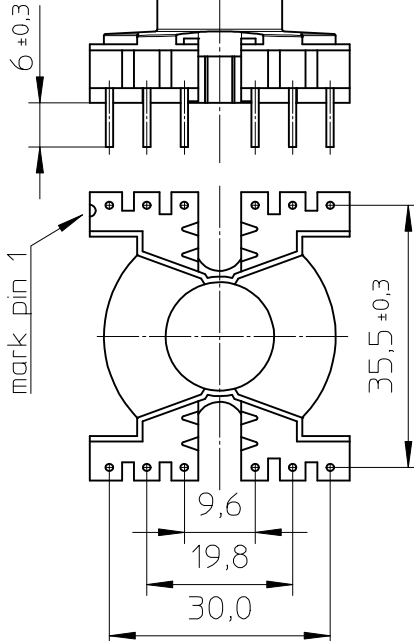
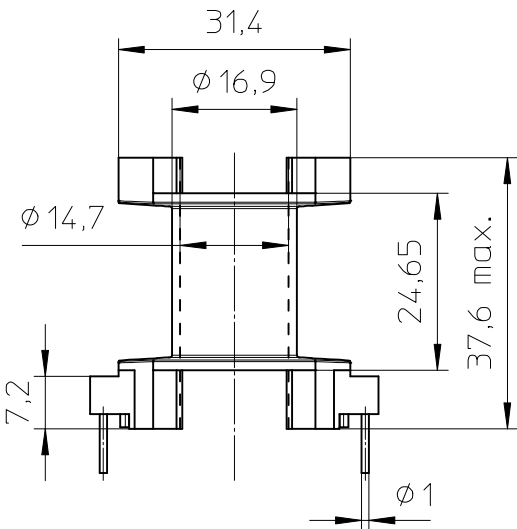
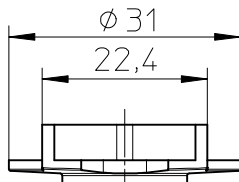
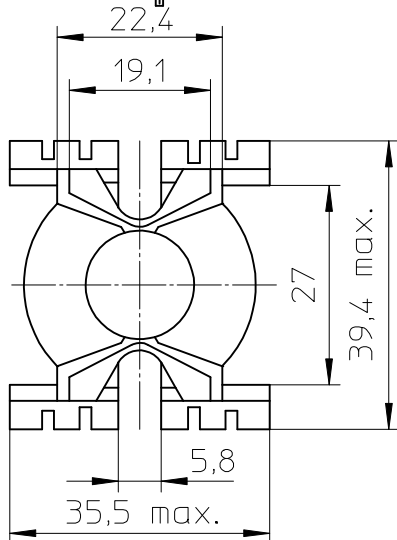


FERROXCUBE

1 2 3 4



Coil former material: Rynite FR530 (PET), glass-reinforced.
 Pin material: Copper-plated steel wire, Sn plated.
 Max. operating temp.: acc. to IEC 60 085 class H, 180°C.
 Resistance to soldering heat: acc. to IEC 60 068-2-20 Part 2, Test Tb, method 1B, 350°C-3,5s
 Solderability: acc. to IEC 60 068-2-20 Part 2, Test Ta, method 1, 235°C-2s
 Min. winding area: 152 mm.²
 Mean length of turn: 75 mm.

CLASS.NO.		CPV-PQ35/35-1S-12P-Z		4322 021 06441		04-07-2004 12-03-2007	
NAME NAAM	A.Wojtasz	SUPERS. VERV.	1	SH BL.	SH BL.	112 - 001	010
MPA	CHECK CONTR.	DAT.	04-07-2004	Property of Eigendom van		© FERROXCUBE 2000	

A4