

Shock-Safe Fuseholder, 5 x 20 mm, Slot, IP 67



Variant 2

250 VAC · 2.5 W / 10 A (VDE) 10 A (UL/CSA)

**Description**

- IP 67 from Front and Rear-Side
- Screw type fuse carrier

Standards

- IEC 60127-6
- UL 512
- CSA C22.2 no. 39

Approvals

- VDE License Number: 133472
- UL File Number: E39328

References

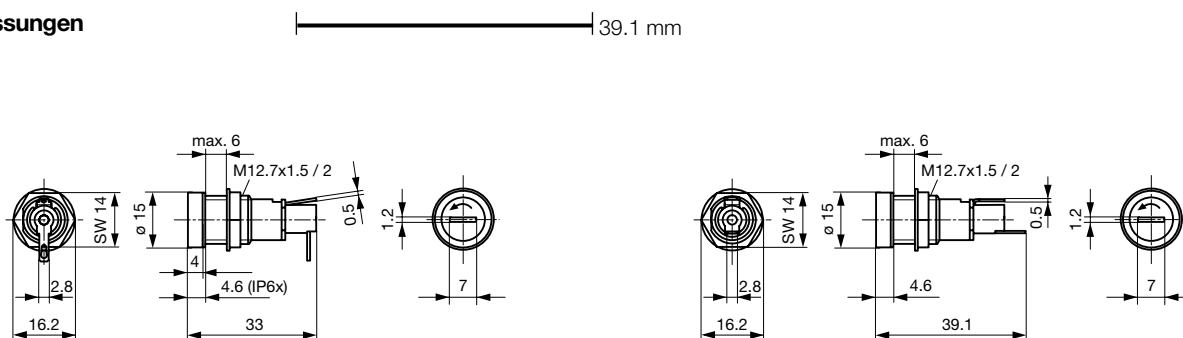
General Product Information

Weblinks

RoHS, CHINA-RoHS, e-Store, SCHURTER-Stock-Check, Distributor-Stock-Check, CAD-Drawings, Accessories, Product Change Notification (PCN), Product Content Sheet (PCS), White paper

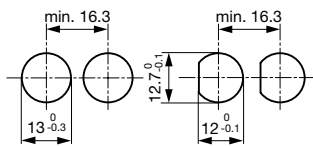
Technical Data

Shocksafe Category	PC2	Soldering Methods	Iron
Fuse-Link	5 x 20 mm	Solderability	350 °C / 2 sec acc. to IEC 60068-2-20, Test Ta, method 2
Mounting	Panel Mount, Front-Side	Resistance to Soldering Heat	350 °C / 10 sec acc. to IEC 60068-2-20, Test Tb, method 2
Mounting	Fixing Nut	Contact Resistance	< 5 mΩ at 20 mV
Terminal	Solder or Quick-Connect 2.8 x 0.5 mm	Dielectric Strength	> 3kV between L-N > 4kV between L/N-PE (50 Hz; 1 min)
Rated Voltage	250 VAC	Impulse Withstand Voltage	> 4kV between L-N > 6kV between L/N-PE
Rated Current	10 A (VDE), 10 A (UL/CSA)	Insulation Resistance	> 10 MΩ between L-N > 100 MΩ between L/N-PE (500 VDC; 1 min)
Rated Power Acceptance IEC	2.5 W / 10 A @ Ta 23 °C Admissible power acceptance at higher ambient temperature see derating curves	Overvoltage Category	I - III acc. to IEC 60664-1
Degree of Protection	IP 67	Pollution Degree	1 - 3 acc. to IEC 60664-1
Protection Class	Suitable for appliances with protection class 1 or 2 acc. to IEC 61140	Admissible Torque on Fixing Nut	max 1.2 Nm
Admissible Ambient Air Temp.	-40 °C to 85 °C	Panel Thickness s	max 6 mm
Climatic Category	40/085/21 acc. to IEC 60068-1		
Material: Socket	Thermoset, black, UL 94V-0		
Material: Terminals	Tin-Plated Copper Alloy		
Unit Weight (Socket/Cap)	5.95 g		
Storage Conditions	0 °C to 60 °C, max. 70% r.h.		
Product Marking	☐, Type, Voltage, Current, Approvals		

Abmessungen

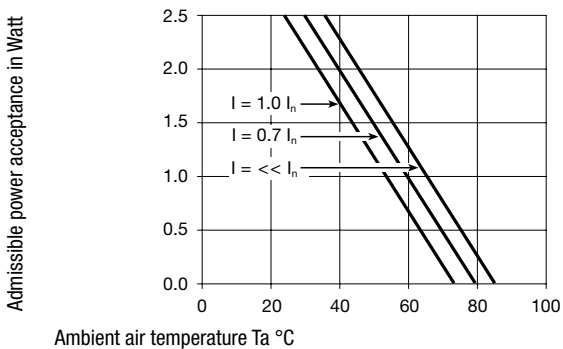
Variants 0031.1363 and 0031.1383

Variant 0031.1351



Mounting holes

Derating Curves for Fuseholders



Variants

Holder	Cap	Terminal	Position End-Terminal	Degree of Protection	Order Number
•	Slot Knob	Solder	Straight to Fuse Axis	IP 67	0031.1351
•	Slot Knob	Solder	90° to Fuse Axis	IP 67	0031.1353

Quick-Connect Terminals on Request

Packaging Unit Bulk (100 pcs.)