

# PPC-174T

## 17" Panel PC with Intel® Pentium® 4 Processor



### Features

- 17" TFT SXGA LCD
- Intel® Pentium® 4 CPU up to 3.06 GHz
- System memory up to 2 GB DDR SDRAM
- Built-in FDD/CD-ROM drive/speakers
- Rugged die-cast aluminum housing with removable plastic front bezel
- Removable 3.5" HDD bay, 2.5" SATA HDD is available, but converter board needed
- Optional 6-in-1 card reader (MS, SD, SM, MC and CF type I/II sockets)
- Resistive, capacitive, SAW and infrared touchscreens are available



### Introduction

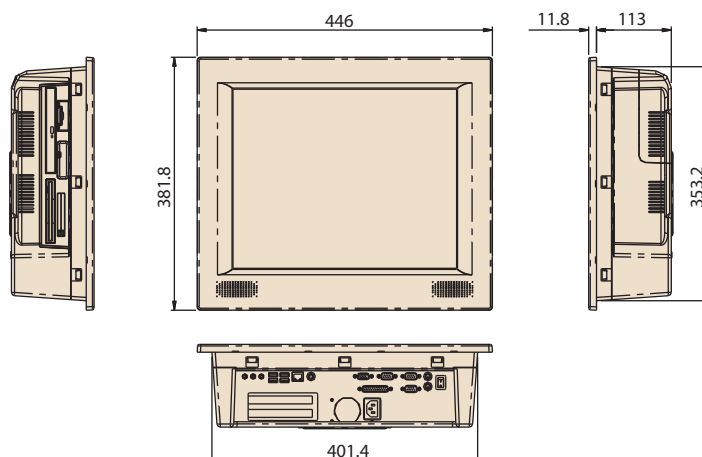
PPC-174T is a top performing and highly expandable panel PC. Equipped with a 17" Color TFT LCD, it features high performance, multimedia devices, connectors, and 2 PCI sockets for high expansion capacity. Because of its multifunctional design, the PPC-174T meets demands from multimedia applications and interactive kiosks that require big displays and more powerful computing performance.

### Specifications

Processor System	CPU	Supports Socket 478 based Pentium 4 CPU up to 3.06 GHz			
	Disk Drive Housing	Removable 3.5" HDD bay, 2.5" SATA HDD is available, but converter board needed			
	Dimensions (W x H x D)	446 x 382 x 127 mm (17.56" x 15.04" x 5")			
	Weight	10 kg (22 lb)			
	Front Panel Protection	IP65/NEMA 4 compliant (not for SAW model)			
	HDD	Uses 4-pin jumper with HDD IDE board			
	CD-ROM Drive (Default)	Compact 24X or above			
	DVD+/-RW Drive (optional)	Optional 8X or above			
	Combo Drive (Optional)	Optional DVD/CD-RW 8D/24W/24E/24R or above			
	Memory	Supports up to 2 GB DDR 333 SDRAM (184-pin)			
FDD	Supports 720 KB/1.44 MB FDD				
Network (LAN)	10/100 Mbps Ethernet interface (Gigabit optional)				
I/O ports	- 3 x serial ports: 2 x RS-232, 1 x RS-232/422/485				
	- Parallel ports: 4 x USB 2.0 port				
	- 2 x PCMCIA Type II				
	- 6-in-1 cardreader: supports CompactFlash, Micro Drive, Smart Media, Secure Digital, Memory Stick & Multimedia Card				
	- PS/2 mouse and keyboard interface				
Environmental Specifications	Bus Expansion	2 x PCI expansion slots, 1 x Mini PCI card			
	Operating Temperature	0 ~ 45° C (32 ~ 113° F)			
	Relative Humidity	10 ~ 95% @ 40° C, non-condensing			
	Shock	10 G peak acceleration (11 msec. duration)			
	EMC	BSMI, VCCI, CE, FCC Class B, CCC			
	Safety	CB, CE, UL			
	Touchscreen (Optional)	Types	Analog Resistive	Capacitive	Surface Acoustic Wave
Resolution		Continuous	1024 x 1024	4096 x 4096	4096 x 4096
Light Transmission		75%	91.5%	91%	91%
Controller		RS-232 interface			
Power Consumption		+5 V @ 200 mA	+5 V @ 100 mA	+5 V @ 150 mA	+5 V @ 150 mA
Software Driver		Supports both DOS and Windows			
LCD Display	Display Type	Color TFT LCD			
	Size (Diagonal)	17"			
	Max. Resolution	1280 x 1024			
	Max. Colors or Grayscales	16.7M			
	Pixel Pitch (mm)	0.264 x 0.264			
	Luminance (cd/m <sup>2</sup> )	300			
	Contrast Ratio	800:1			
	Viewing Angle	80° (left), 80° (right), 80° (up), 80° (down)			
	Operating Temperature	0 ~ 50° C			
	VR Controls	Brightness			
Power Supply	Simultaneous Mode	Yes			
	LCD MTBF	50,000 hrs			
	Output Rating	180 W (max.)			
	Input Voltage	100 ~ 240 V <sub>AC</sub> @ 50 ~ 60Hz			
Output Voltage	+3.3 V @ 16.8 A, +5 V @ 12 A, +12 V @ 10 A, -12 V @ 0.8 A, +5 Vsb @ 2 A				

## Dimensions

Unit: mm (inch)

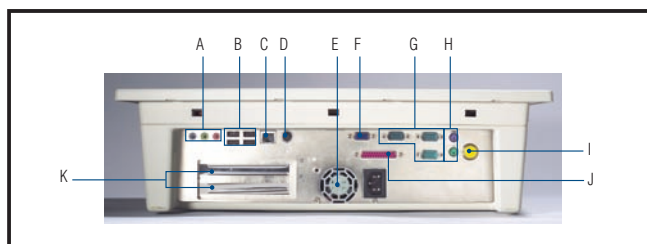


## Ordering Information

Part No.	Description
PPC-174T-BAREE	Panel PC with 17" TFT LCD display (resolution: 1280 x 1024)
PPC-174T-BARE-TE	PPC-174T with resistive touchscreen
PPC-174T-BARE-CE	PPC-174T with capacitive touchscreen
PPC-174T-BARE-SE	PPC-174T with SAW touchscreen
PPC-174 Stand	Stand kit for PPC-174T
PPC-174 WL-MT	Wall mount kit for PPC-174T
PPC-174 RACK-MT	19" Rack Mounting kit for PPC-174 (9U)
1702002600	POWER Cable UL/CSA (USA) 180D 125V10A 1.83M
1702002605	POWER CABLE 90D 220V EUROPEAN 250V/6A 1.8M
989K017401E	2.5" SATA HDD DRAWER FOR PPC-174T
PPC-FP-A01E	USB Fingerprint Accessory Kit

- \* Intel Pentium 4 CPU, DDR SDRAM and 3.5" HDD are available as optional items.
- \* FDD, CD-ROM and PCMCIA are removable as OEM items
- \* Infrared touchscreen with sunlight readable panel may be ordered via OEM process, and both items may be ordered separately

## Fully Integrated I/O



- |                                       |                          |
|---------------------------------------|--------------------------|
| A. Line-in/Line-out/Mic-in            | G. COM port x 3          |
| B. USB 2.0 x 4                        | H. PS/2 mouse & keyboard |
| C. 10/100 Ethernet (Gigabit optional) | I. Power switch          |
| D. S-Video                            | J. Parallel port         |
| E. ATX power supply                   | K. PCI slot x 2          |
| F. VGA port                           |                          |

## Feature Details

### Protection

The PPC-174T is robust enough to withstand harsh environments on factory floors and in an external environment. The die-cast housing also acts as a heat sink to prevent the system from overheating.

### Networking

Three serial ports and a 10/100 Mbps Ethernet port (Gigabit optional) give the PPC-174T advanced networking capabilities and provide the best solution for versatile applications.

### Expansion

To extend its functionality, the PPC-174T is designed with two expansion slots for PCI cards, one Mini PCI slot, four USB 2.0 (Universal Serial Bus) ports, and one S-Video port, a 6-in-1 cardreader interface, and one PCMCIA card bus (Type II x 2). With these expansion capabilities, the PPC-174T not only functions as an HMI, but also as a computing center around which to build your application.

### Removable 3.5" HDD Bay

A 3.5" HDD is more reliable and cost-effective than a 2.5" HDD. The PPC-174T's 3.5" removable HDD drive bay provides great performance, and can be easily maintained.

### Touchscreen Options

Customers can choose from three optional types of standardized touchscreens: resistive, capacitive and SAW (Surface Acoustic Wave). These options make the PPC-174T a more user-friendly interface for different environments.



Removable 3.5" HDD bay