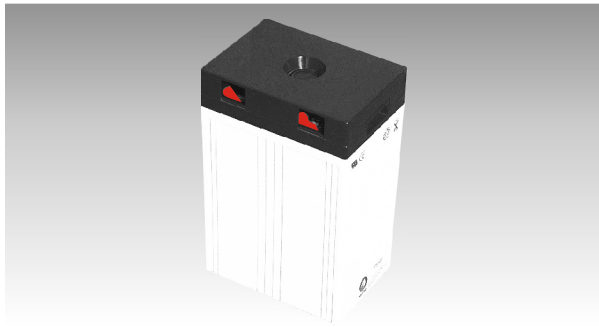
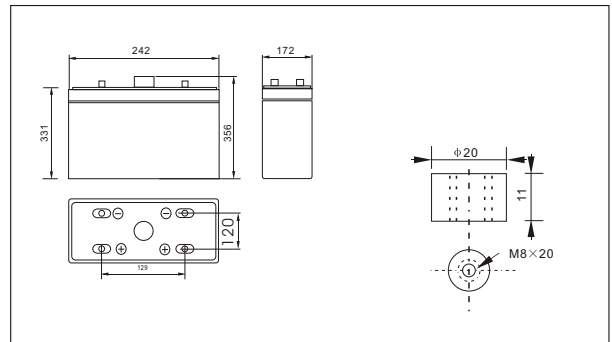




SWG25000(2V500AH)



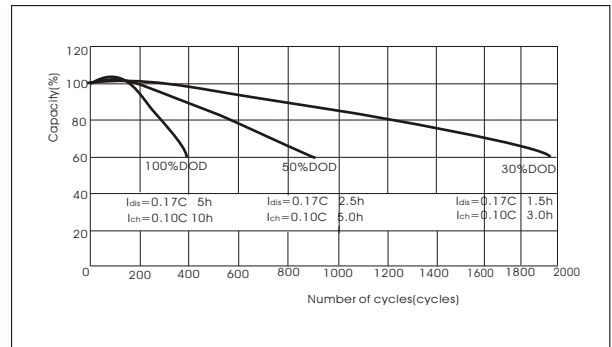
Outer dimensions (mm)



Specifications

Nominal Voltage		2 V
Rated capacity (20 hour rate)		500 Ah
Dimensions	Total Height	356 mm (14.0 inches)
	Height	331 mm (13.0 inches)
	Length	242 mm (9.5 inches)
	Width	172 mm (6.8 inches)
Weight Approx		35 Kg (77.4 lbs)

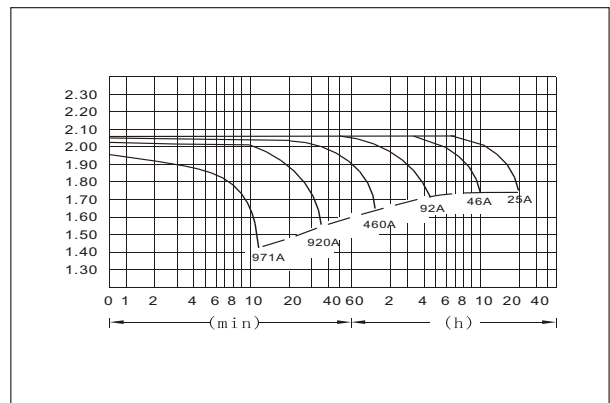
Curves of cycle life(25°C)



Characteristics

Capacity 25°C(77°F)	20 hour rate(25 A) 10 hour rate(46 A) 5 hour rate(73.6 A) 1 hour rate(276 A)	500 AH 460 AH 368 AH 276 AH
Internal Resistance	Full charged Battery at 25°C(77°F)	Approx 0.76 mΩ
Capacity affected by Temperature (10hour rate)	40°C(104°F) 25°C(77°F) 0°C(32°F) -15°C(5°F)	102% 100% 85% 65%
Self-Discharge at 25°C(77°F)	Capacity after 3 month storage Capacity after 6 month storage Capacity after 12 month storage	91% 82% 64%
Terminal	T20	
Charge (constant Voltage)	Cycle	Initial Charging Current less than 184 A Voltage 2.35-2.40V
	Float	Voltage 2.25-2.30V

Discharge Curves 25°C(77°F)



Constant Current(Amp) and Constant Power(Watt) Discharge Table at 25°C(77°F)

Time	5min	10min	15min	30min	1h	2h	3h	4h	5h	8h	10h	20h	
1.60V	A	1473	971	782	524	276	161	118	92	76	54	48	26
	W	2534	1728	1398	940	497	295	219	173	144	103	93	51
1.70V	A	1427	876	737	501	259	154	115	90	75	52	47	25
	W	2540	1630	1374	938	489	295	222	174	145	102	93	49
1.75V	A	1380	783	644	469	251	150	112	88	74	52	46	25
	W	2512	1485	1226	900	485	290	218	172	144	102	92	50
1.80V	A	1330	738	599	432	243	146	109	87	72	51	46	25
	W	2488	1419	1150	835	471	286	215	171	141	100	91	49
1.85V	A	1286	692	553	386	235	143	106	85	70	49	44	23
	W	2430	1335	1073	753	460	281	209	168	139	98	88	47