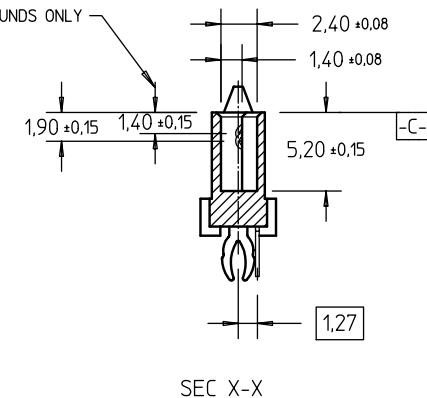
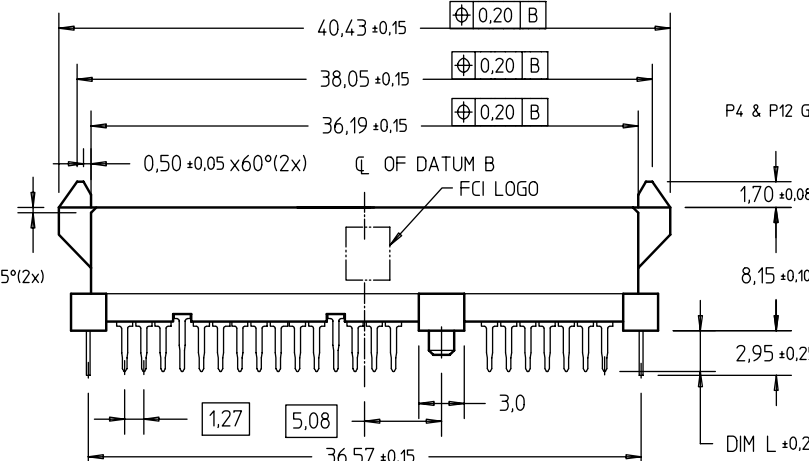
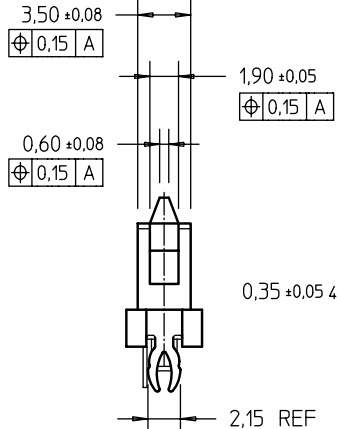
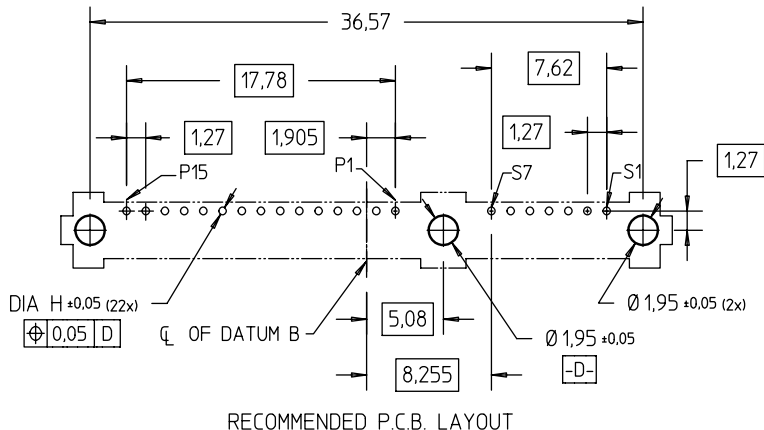
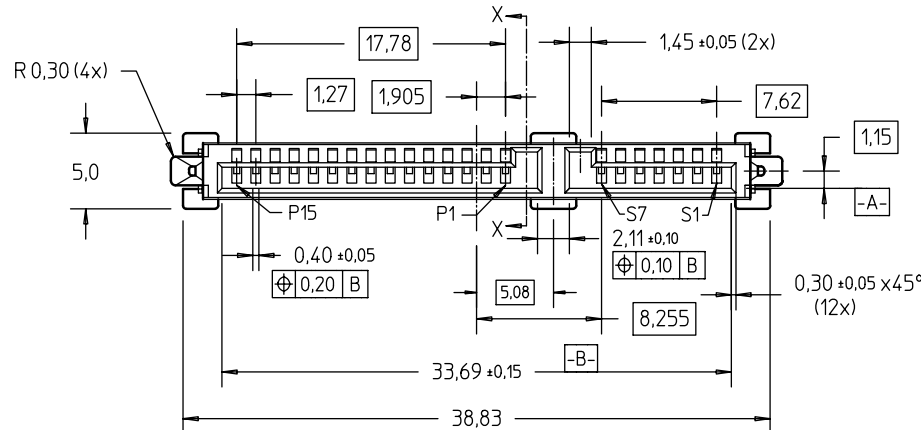


FCI CONFIDENTIAL



This document is the property of and embodies CONFIDENTIAL and PROPRIETARY information of FCI. No part of the information shown on this document may be used in any way or disclosed to others without the written consent of FCI. Copyright FCI.

PRODUCT NO	DIM L	RECOMMENDED P.C. BOARD THICKNESS	DIA "H"
10017660-001LF	2.70	1,57mm (0,062") / 2,36mm (0,093")	0,50
10017660-011LF	3.70	2,36mm (0,093")	0,50



NOTES:

- MATERIAL:
 - HOUSING : HIGH TEMP. THERMOPLASTIC, UL 94V-0
COLOR : BLACK
 - TERMINAL : COPPER ALLOY
 - HOLD DOWN : COPPER ALLOY
 - FINISH :
 - TERMINAL : 30u" Au PLATING (CONTACT POINT) OVER 50u" MIN NICKEL
 - SOLDER TAIL : 100u" MIN TIN OVER 50u" MIN NICKEL
 - HOLD DOWN : 100u" MIN TIN OVER 50u" MIN NICKEL
 - TRUE POSITION NOTES APPLY AT TERMINAL TIP
- 4 PER S-ATA SPEC REV 1.0a

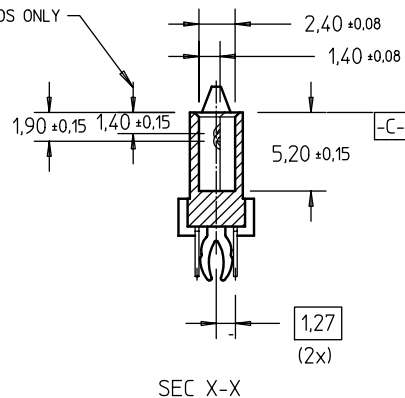
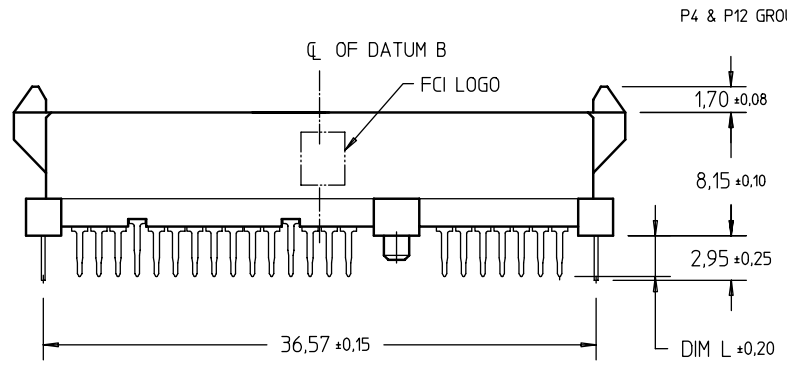
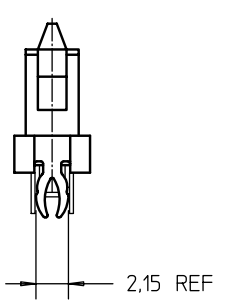
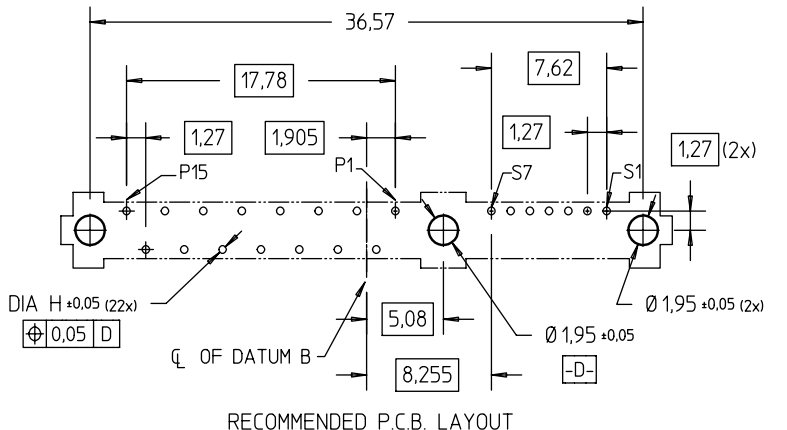
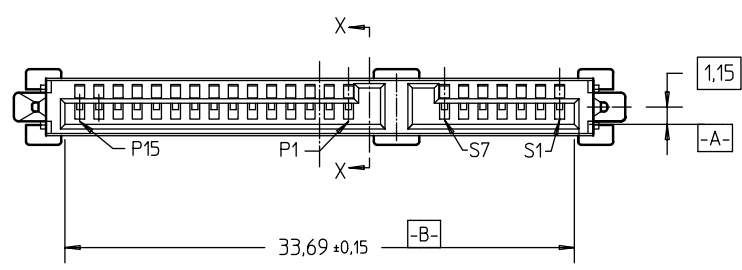
mat'l code		surface	tolerance	projection	product family
		ISO 1302	ISO 406 ISO 1101		S-ATA
itr		tolerances unless otherwise specified		title	
A	S04-0131	GLL	2004-10-05	mm	S-ATA COMB RECEPT. VERTICAL TH TYPE ASSY
B	S05-0035	GLL	2005-02-07		
C	S06-0312	GLL	2006-09-19	scale 2 : 1	dwg no
D	S09-0179	GLL	2009-05-28		
		dr	GL L00	2004-10-05	sheet 1 of 2
		enrg	GL L00	2004-10-05	size
		chr	GL L00	2009-05-28	A4
		appd	JOEY NG	2009-05-28	type
sheet index		revision sheet	D D		CUSTOMER Drawing
			1 2		

FCI CONFIDENTIAL



This document is the property of and embodies CONFIDENTIAL and PROPRIETARY information of FCI. No part of the information shown on this document may be used in any way or disclosed to others without the written consent of FCI. Copyright FCI.

PRODUCT NO	DIM L	RECOMMENDED P.C. BOARD THICKNESS	DIA "H"
10017660-002LF	2.70	1,57mm (0,062") / 2,36mm (0,093")	0,50
10017660-012LF	3.70	2,36mm (0,093")	0,50



NOTE : ALL OTHER DIMENSIONS REFER TO SHEET 1.

- NOTES :
- 5 THE STD PACKAGING IS IN TRAY.
 - 6 THE HOUSING WILL WITHSTAND EXPOSURE TO 260°C PEAK TEMPERATURE FOR 10 SECONDS IN A WAVE SOLDER APPLICATION WITH A 1,57MM MINIMUM THICK CIRCUIT BOARD.
 - ⑦ THIS PRODUCT MEETS EUROPEAN UNION DIRECTIVES AND OTHER COUNTRY REGULATIONS AS DESCRIBED IN GS-22-008.
 - ⑧ PART NUMBERS ENDING IN "LF" MEANS FOR NOTE 7 LEAD FREE IDENTIFICATION. P/N XXXXXXXXX-XXXLF IS EQUIVALENT TO PREVIOUS P/N XXXXXXXXX-XXX
 - ⑨ A SYMBOL WILL BE NEXT TO ANY DIMENSION, VIEW, OR NOTE WHICH HAS BEEN MODIFIED WITH THE CURRENT DRAWING REVISION.

mat'l code		surface	tolerance	projection	product family
ltr		ISO 1302	ISO 406 ISO 1101		S-ATA
ecn no		tolerances unless otherwise specified			title
dr		angles	linear	mm	S-ATA COMB RECP.
date		± 2°	= ±0,20	scale 2 : 1	VERTICAL TH TYPE ASSY
D		dr	GL L00	2004-10-05	dwg no
		enrg	GL L00	2004-10-05	sheet 2 of 2
		chr	GL L00	2009-05-28	size
		appd	JOEY NG	2009-05-28	A4
					10017660
		type			CUSTOMER Drawing
sheet index	revision sheet				
	1				