

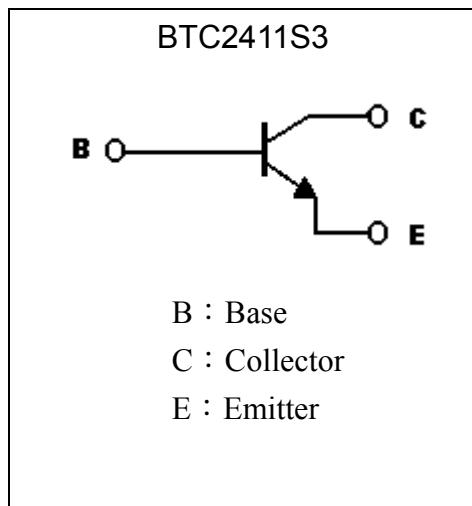
**General Purpose NPN Epitaxial Planar Transistor**

# BTC2411S3

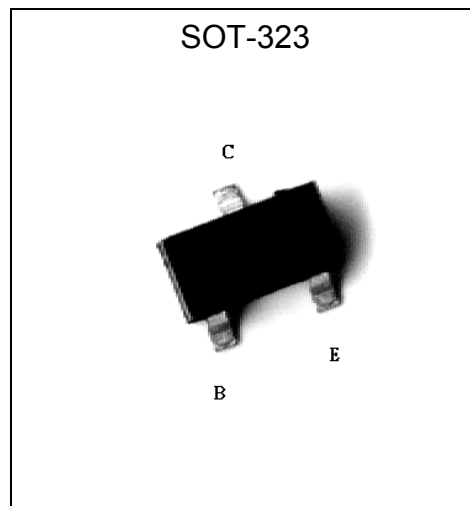
## Description

- The BTC2411S3 is designed for general purpose amplifier applications. It is housed in the SOT-323/SC-70 package which is designed for low power surface mount applications.
- Low  $V_{CE(sat)}$
- Low leakage current
- High cutoff frequency
- Complementary to BTA1036S3

## Symbol



## Outline



## Absolute Maximum Ratings (Ta=25°C)

Parameter	Symbol	Limits	Unit
Collector-Base Voltage	$V_{CB0}$	75	V
Collector-Emitter Voltage	$V_{CEO}$	40	V
Emitter-Base Voltage	$V_{EB0}$	6	V
Collector Current	$I_C$	600	mA
Power Dissipation @Ta=25°C Derate above 25°C	$P_d$	150 (Note 1)	mW
Junction Temperature	$T_j$	150	°C
Storage Temperature	$T_{stg}$	-55~+150	°C

Note 1: when mounted on a FR-5 board with area measuring 1.0× 0.75× 0.062 in.

**Characteristics (Ta=25°C)**

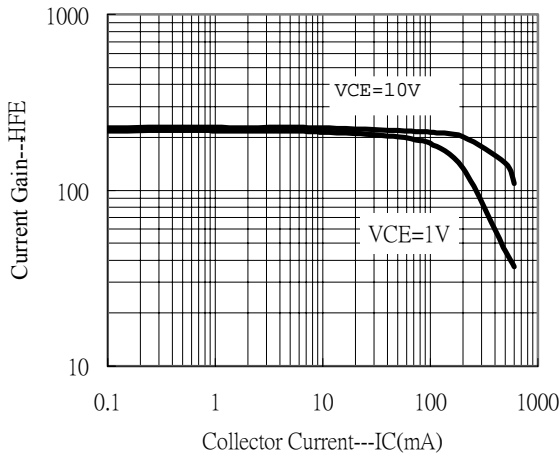
Symbol	Min.	Typ.	Max.	Unit	Test Conditions
BV <sub>CB0</sub>	75	-	-	V	I <sub>C</sub> =10μA
BV <sub>CEO</sub>	40	-	-	V	I <sub>C</sub> =1mA
BV <sub>EBO</sub>	6	-	-	V	I <sub>E</sub> =10μA
I <sub>CB0</sub>	-	-	10	nA	V <sub>CB</sub> =60V
I <sub>CEX</sub>	-	-	10	nA	V <sub>CE</sub> =60V, V <sub>EB(off)</sub> =3V
I <sub>EBO</sub>	-	-	100	nA	V <sub>EB</sub> =3V
*V <sub>CE(sat)1</sub>	-	-	0.3	V	I <sub>C</sub> =150mA, I <sub>B</sub> =15mA
*V <sub>CE(sat)2</sub>	-	-	1.0	V	I <sub>C</sub> =500mA, I <sub>B</sub> =50mA
*V <sub>BE(sat)1</sub>	-	-	1.2	V	I <sub>C</sub> =150mA, I <sub>B</sub> =15mA
*V <sub>BE(sat)2</sub>	-	-	2.0	V	I <sub>C</sub> =500mA, I <sub>B</sub> =50mA
h <sub>FE1</sub>	35	-	-	-	V <sub>CE</sub> =10V, I <sub>C</sub> =0.1mA
h <sub>FE2</sub>	50	-	-	-	V <sub>CE</sub> =10V, I <sub>C</sub> =1mA
h <sub>FE3</sub>	75	-	-	-	V <sub>CE</sub> =10V, I <sub>C</sub> =10mA
*h <sub>FE4</sub>	100	-	300	-	V <sub>CE</sub> =10V, I <sub>C</sub> =150mA
*h <sub>FE5</sub>	40	-	-	-	V <sub>CE</sub> =10V, I <sub>C</sub> =500mA
f <sub>T</sub>	300	-	-	MHz	V <sub>CE</sub> =20V, I <sub>C</sub> =20mA, f=100MHz
Cob	-	-	8	pF	V <sub>CB</sub> =10V, I <sub>E</sub> =0A, f=1MHz

\*Pulse Test: Pulse Width ≤380μs, Duty Cycle ≤2%

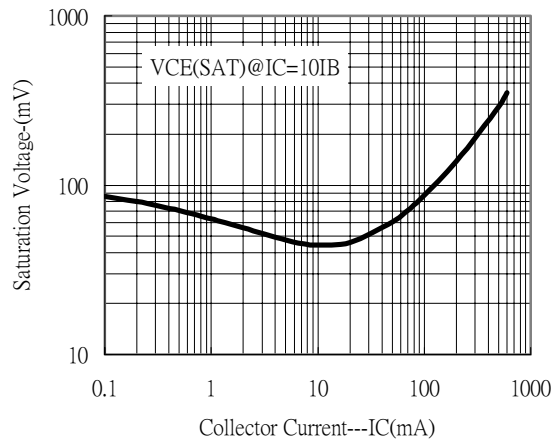


### Characteristic Curves

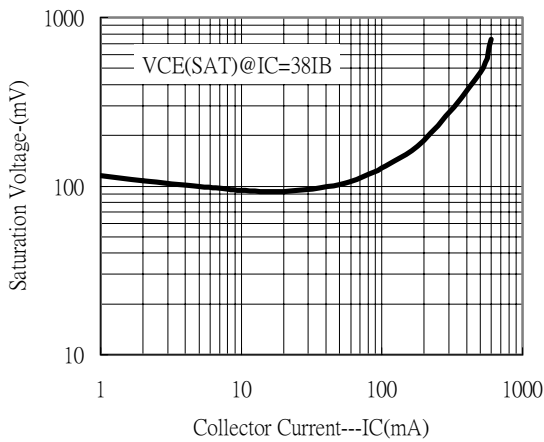
Current Gain vs Collector Current



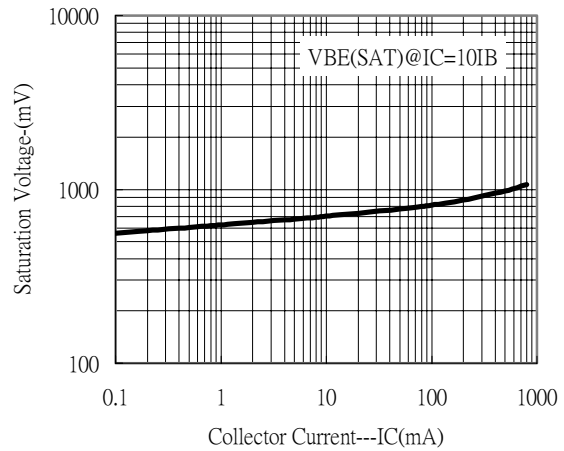
Saturation Voltage vs Collector Current



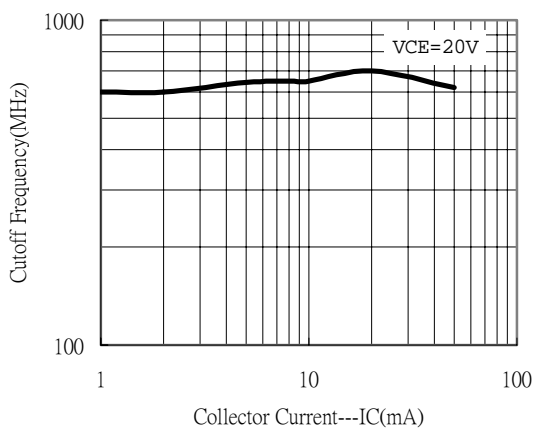
Saturation Voltage vs Collector Current



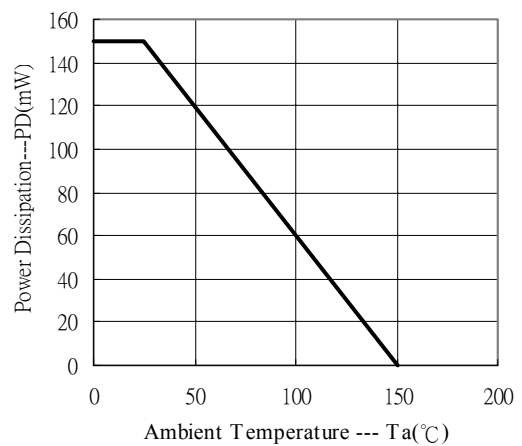
Saturation Voltage vs Collector Current



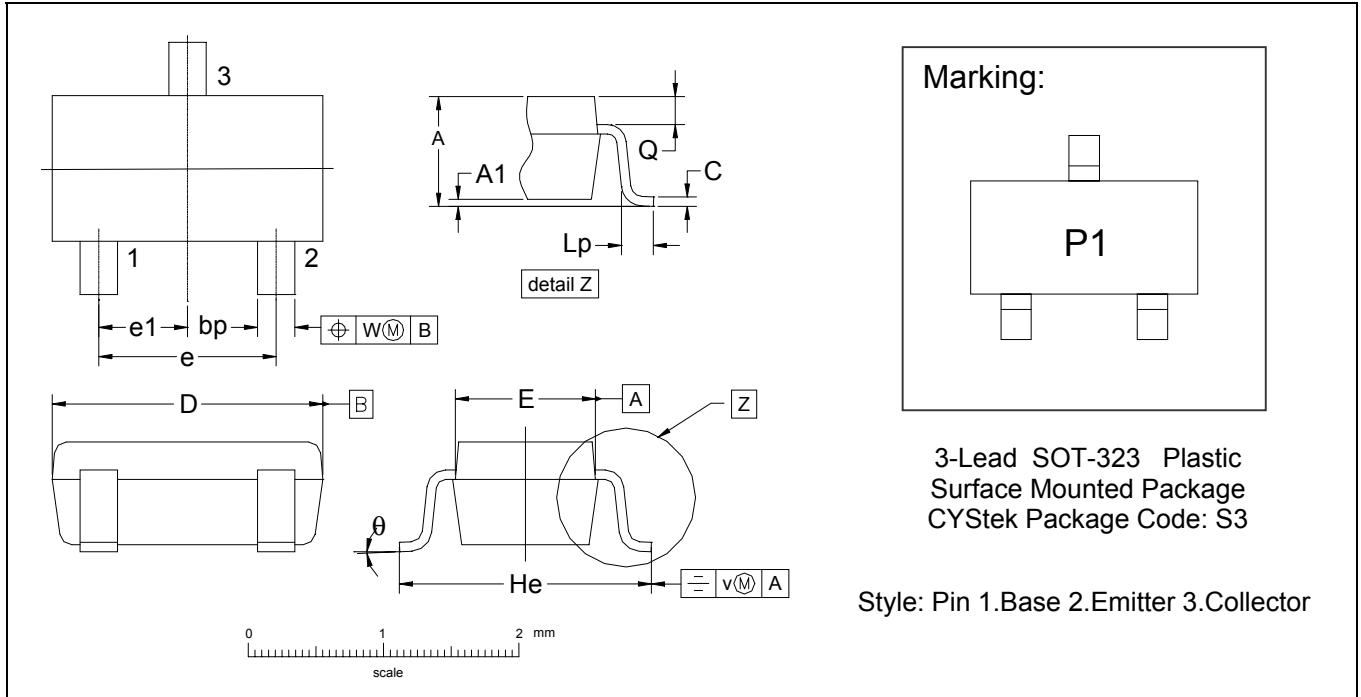
Cutoff Frequency vs Collector Current



Power Derating Curve



**SOT-323 Dimension**



\*: Typical

DIM	Inches		Millimeters		DIM	Inches		Millimeters	
	Min.	Max.	Min.	Max.		Min.	Max.	Min.	Max.
A	0.0315	0.0433	0.80	1.10	e1	0.0256	-	0.65	-
A1	0.0000	0.0039	0.00	0.10	He	0.0787	0.0886	2.00	2.25
bp	0.0118	0.0157	0.30	0.40	Lp	0.0059	0.0177	0.15	0.45
C	0.0039	0.0098	0.10	0.25	Q	0.0051	0.0091	0.13	0.23
D	0.0709	0.0866	1.80	2.20	v	0.0079	-	0.2	-
E	0.0453	0.0531	1.15	1.35	w	0.0079	-	0.2	-
e	0.0512	-	1.3	-	θ	-	-	10°	0°

Notes: 1.Controlling dimension: millimeters.  
 2.Maximum lead thickness includes lead finish thickness, and minimum lead thickness is the minimum thickness of base material.  
 3.If there is any question with packing specification or packing method, please contact your local CYStek sales office.

**Material:**

- Lead: 42 Alloy ; solder plating
- Mold Compound: Epoxy resin family, flammability solid burning class: UL94V-0

**Important Notice:**

- All rights are reserved. Reproduction in whole or in part is prohibited without the prior written approval of CYStek.
- CYStek reserves the right to make changes to its products without notice.
- CYStek **semiconductor products are not warranted to be suitable for use in Life-Support Applications, or systems.**
- CYStek assumes no liability for any consequence of customer product design, infringement of patents, or application assistance.