

BOARD TO BOARD/WIRE

- Industry compatible
- Competitively priced
- Gold plated contacts
- 2.54mm pitch

EDGE CARD - RIGHT ANGLE 2.54MM PITCH



SECTION 8

SPECIFICATION

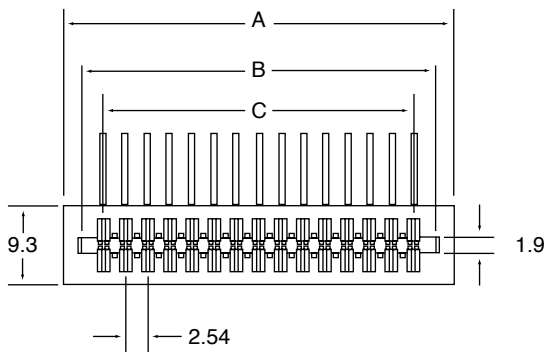
Material & Finish

Insulator: PBT, glass reinforced, rated UL 94V-0
Contact: Phosphor Bronze

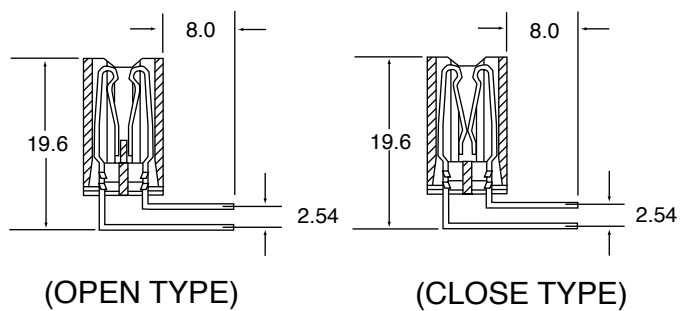
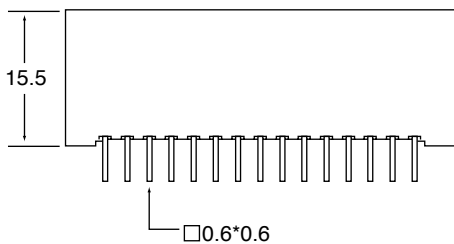
Electrical Characteristics

Rating Current: 3 Amp DC
Contact Resistance: 30 mΩ
Insulation Resistance: 3000 MΩ min.
Dielectric Voltage: 500v AC for 1 minute
Operating Temperature: -40°C to +105°C

OUTLINE DRAWING



Position	A	B	C
20	32.00	27.94	22.86
24	37.08	33.02	27.94
26	39.62	35.56	30.48
30	44.70	40.64	35.56
34	49.78	45.72	40.64
36	52.32	48.26	43.18
40	57.40	53.34	48.26
44	62.48	58.42	53.34
50	70.10	66.04	60.96
60	82.80	78.74	73.66
72	98.04	93.98	88.90
100	133.64	129.54	124.46



ORDERING INFORMATION

DBC	D18	20	B	S	A	1
Dubilier Connectors	Series	No. of Contacts	Contact Material	Contact Plating	Contact Type	Colour
		20 = 20 way 24 = 24 way 26 = 26 way 30 = 30 way 34 = 34 way 36 = 36 way	B = Phosphor Bronze	S = Selective Gold	A = Open Type B = Closed Type	1 = Black
		40 = 40 way 44 = 44 way 50 = 50 way 60 = 60 way 72 = 72 way 100 = 100 way				