

OXUF936DS, Universal Interface to Dual SATA RAID Controller

Highlights

■ General Features

- High performance Universal Interface (eSATA, FireWire800, FireWire400 or USB2.0) to dual SATA storage controller

■ Key Features

- High performance Universal Interface (eSATA, FireWire800, FireWire400 or USB2.0) to dual SATA storage controller
- Integrated hardware RAID controller supporting:
 - Disk striping (RAID0) for maximum performance
 - Disk mirroring (RAID 1) for maximum data protection
 - Disk spanning for large capacity single volume
- Supports SATA II Gen2m specification and 3.0Gbps and 1.5Gbps interfaces
- Hardware RAID rebuild engine (up to HDD transfer rate) with auto start upon replacement of failed disk (RAID 1 only)
- Sustained transfer rates in excess of 150Mbytes/s (limited only by HDD or interface transfer rates)
- Flexible RAID User Agent (LED & LCD support)
- 47 GPIO (24 dedicated, 23 multiplexed)
- Integrated PWMs
- Integrated Fan-Tacho control
- USB mass-storage class compliant

The OXUFS936DS is a Universal Interface (eSATA, FireWire800, FireWire400, USB2.0) to dual SATA storage controller with integrated hardware RAID engine. Delivering best-in-class performance across all interfaces, the OXUFS936DS enables a range of external storage applications, including dual disk RAID configurations.

The integrated hardware RAID controller supports a range of RAID modes which can deliver maximum performance (RAID 0) or maximum data protection (RAID 1).

Integrating an eSATA device port, IEEE1394b link, USB2.0 device and dual SATA host controllers the OXUFS936DS requires a minimal number of external components and reduces total system BOM cost.

Embedded ARM Processor

By managing the data flow, the on-chip ARM7 processor enables a whole new series of standalone consumer electronic product to be developed in a simple C/C++ programming environment.

USB2.0

The embedded USB2.0 PHY supports both full and high speed, using bulk-only transport Mass Storage Class device protocol. Fast read and write transfers ensure that the maximum possible host performance is maintained.

No additional USB host drivers are required, for either Windows® or Mac® operating systems, for standard storage, button notification or GPIO control applications.

FireWire

The embedded 1394 PHY and link layer supports both FireWire800 and FireWire400 and complies with the 1394-1995 and 1394-2000 specifications.

No additional 1394 host drivers are required, for either Windows® or Mac® operating systems for standard storage applications.

SATA Interface

The embedded 3GHz SATA host interfaces supports the latest revisions of the SATA II specifications. In addition the eSATA device port also supports the Gen2m interface. Interface speeds of 3GHz and 1.5GHz deliver maximum performance with minimum latency for external SATA storage.



OXUF936DS, Universal Interface to Dual SATA RAID Controller

RAID

The chip supports several RAID functions, including:

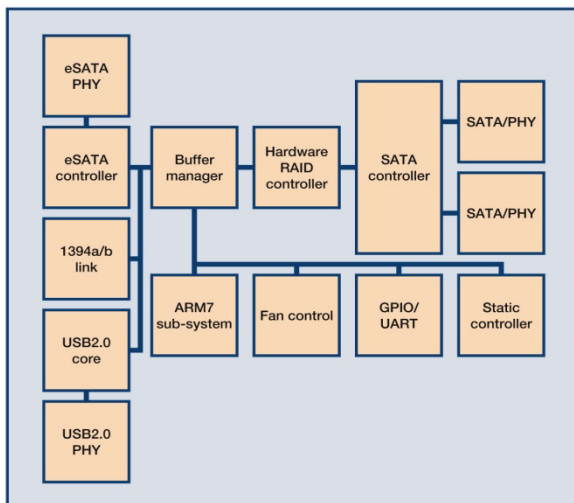
- Striping (RAID 0) delivers the highest performance but provides no data integrity or redundancy.
- Mirroring (RAID 1) provides the highest level of data integrity with 100% data redundancy.
- Spanning (concatenation) presents all drives as a single large volume.

Development Tools and custom solutions

For external Mac and PC storage solutions, Oxford Semiconductor offers a comprehensive support package including:

- Reference designs comprising both hardware and software components
- Evaluation boards
- Software Development Kit (SDK) comprising source code and debug boards
- Extensive range of application notes

OXUF936DS Block Diagram



OXUFS936DS

Product Ordering Information

Part Number	Description
OXUF936DS-FBAG	Universal Interface to Dual SATA RAID Controller

PLX Technology, Inc. All rights reserved. PLX and the PLX logo are trademarks of PLX Technology, Inc. All other product names that appear in this material are for identification purposes only and are acknowledged to be trademarks or registered trademarks of their respective companies. Information supplied by PLX is believed to be accurate and reliable, but PLX assumes no responsibility for any errors that may appear in this material. PLX reserves the right, without notice, to make changes in product design or specification.

Visit www.plxtech.com for more information.