

# Encoder With Knob Type

SRRQ Series



Highly reliable gold-contact type for program code setting.

Detector

Push

Slide

Rotary

**Encoders**

Power

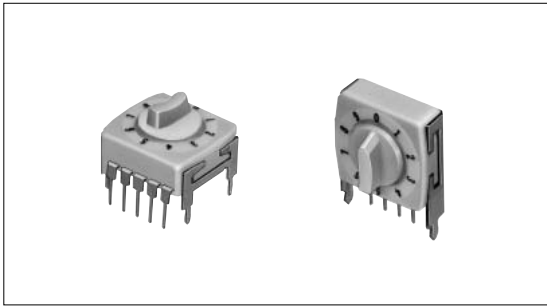
Dual-in-line  
Package Type

TACT Switch™

Custom-  
Products

Incremental  
Type

**Absolute  
Type**



## Typical Specifications

Items		Specifications
Rating(max. )(min. ) ( Resistive load )		0.1A 6V DC/50 $\mu$ A 3V DC
Contact resistance ( Initial/After operating life )		1 max./1.5 max.
Operating life	Without load	10,000cycles
	With load	10,000cycles( 0.1A 6V DC )

## Product Line

Actuator length ( mm )	Torque ( mN·m )	Operating direction	Output code	Positions	Changeover angle	Minimum order unit ( pcs. )	Product No.	Drawing No.
4	5 to 25	Vertical	Binary ( Positive )	10	36 °	2,250	SRRQVA0200	1
				16	22 '30'		SRRQVG0100	
		Horizontal		10	36 °	2,400	SRRQHA0300	2
				16	22 '30'		SRRQHG0200	

## Note

1. Products other than those listed in the above chart are also available. Please contact us for details.
2. Please place purchase orders per minimum order unit (integer).

■ Dimensions

Unit:mm

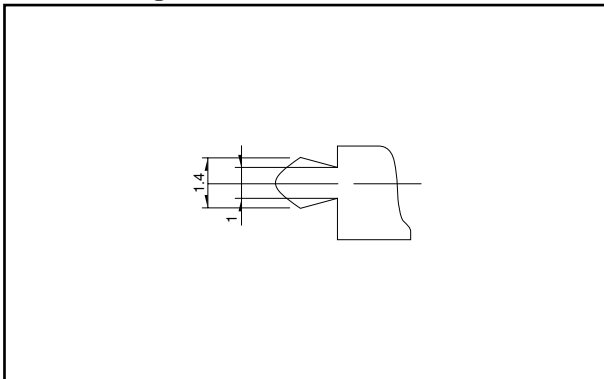
No.	Style	PC board mounting hole dimensions ( Viewed from the direction A )
1	<b>Vertical type with knob</b> 	
2	<b>Horizontal type with knob</b> 	

- Detector
- Push
- Slide
- Rotary
- Encoders
- Power
- Dual-in-line Package Type
- TACT Switch™
- Custom-Products

- Incremental Type
- Absolute Type

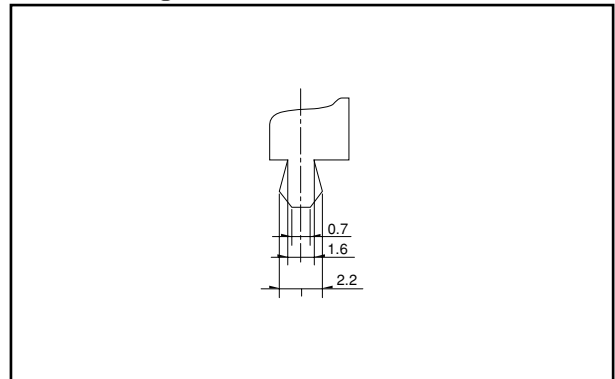
■ Detail of ①

Unit:mm

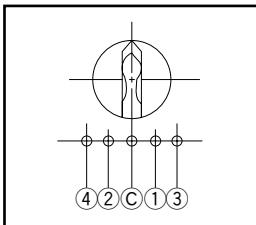


■ Detail of ②

Unit:mm







■ Standard Codes (Viewed from Direction A)



Code	Terminal	Number of positions															
		10										16					
	Position	0	1	2	3	4	5	6	7	8	9	10	11	12	13	14	15
Binary( Positive )	1																
	2																
	3																
	4																

The marks shows the ON position.

## List of Varieties

Type		Absolute type				
		With Knob	Metal shaft	Hollow shaft	Jog-shuttle	
Series		SRRQ	SRGH	SRGA	SRGPHJ	
Photo						
Output		Absolute type				
Outline specifications	Shaft types	With knob	Single-shaft	Hollow shaft	Single-shaft/ Dual-shaft	
	Operating direction	Vertical/Horizontal		Vertical		
	Number of pulse/ Number of detent	—————				
	Push switch (Travel mm)	Without				
	Optional functions	—————				
Dimensions (mm)	Changeover angle	22.5°, 36°	40°, 12.8°	15°, 24°, 30°, 45°	Shuttle part: All angles rotation 160° Jog part: All angles rotation 360°	
	W	14.4	20	18	35	
	D	15.6	19		43.7	
H	7.5	10.5	8	8.6		
Soldering	Manual soldering	300 ± 10 , 3 <sup>+1</sup> s		350 ± 10 , 3 <sup>+1</sup> s		
	Dip soldering	260 ± 5 , 10 ± 1s			260 ± 5 , 5 ± 1s	
	Reflow soldering	—————			Please see P.209	
Operating temperature range		-10 to +60	-40 to +85	-10 to +60		
Electrical performance	Initial contact resistance		1 max.			
	Output voltage	Shuttle part	—————			
		Jog part	4V min. at 1mA 5V DC (resistive load)			
Insulation resistance		100M min. 100V DC				
Mechanical performance	Voltage proof		100V AC for 1minute			
	Rotational torque		Shall be in accordance with individual specifications.			
	Terminal strength		5N for 1minute			
	Resistance to soldering heat	Rotational direction	—————			
		Push direction	5N	100N		
Vibration		10 to 55 to 10Hz/min., the amplitude is 1.5mm for all the frequencies, in the 3 direction of X, Y and Z for 2 hours respectively				
Environmental performance	Cold		-20 ± 2 for 96h			
	Dry heat		85 ± 2 for 96h			
	Damp heat		40 ± 2 , 90 to 95%RH for 96h			
Page		202	204	206	208	

Detector  
Push  
Slide  
Rotary  
Encoders  
Power  
Dual-in-line Package Type  
TACT Switch™  
Custom-Products

Incremental Type  
Absolute Type



**Note**  
The operating temperature range for automotive applications can be raised upon request. Please contact us for requirements of this kind.