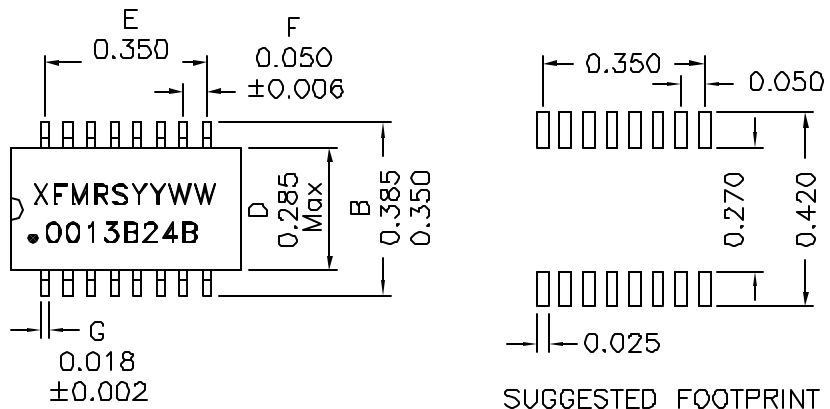
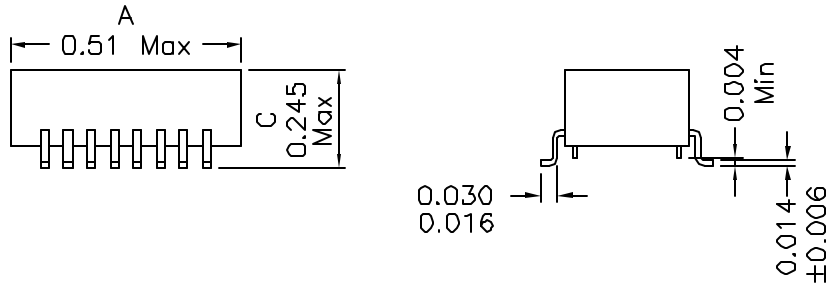
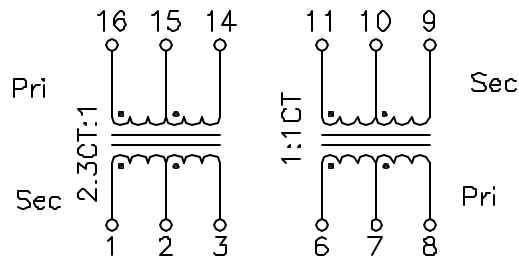


### 1. Mechanical Dimensions:



### 2. Schematic:



### 3. Electrical Specifications: @25°C

Isolation Voltage: 1500 VAC  
 Turns Ratio: (1-2-3):(16-15-14)=2.3CT:1CT ±5%  
 (6-7-8):(11-10-9)=1CT:1CT ±5%  
 PRI OCL: 1.2mH Min @100KHz 50mV  
 Cw/w: 35pF Max @100KHz 50mV (Pri/Sec)  
 Pri Leakage L: 0.4uH Maximum @100KHz 50mV (short Sec)  
 DC Res: Pins 1-3 1.8 Ohms Max  
 Pins 6-8 0.70 Ohms Max  
 Pins 9-11 0.70 Ohms Max  
 Pins 14-16 0.70 Ohms Max  
 Longitudinal Balance: Meets FCC Part 68  
 Common Mode Rejection Ratio: >50dB @1MHz  
 Return Loss: 50-100KHz 100KHz-2MHz 2-3MHz  
 XMIT: 9dB 15dB 11dB  
 RCV: 12dB 18dB 14dB  
 Crosstalk Attenuation: 50dB Min, 100KHz to 10MHz  
 Surge Voltage Capability:  
 Metallic Voltage, 800V peak, 10/560uS  
 Longitudinal Voltage, 2400V peak, 10/700uS

Notes:

1. Solderability: Leads shall meet MIL-STD-202G, Method 2028H for solderability.
2. Flammability: UL94V-0
3. ASTM oxygen Index: > 28%
4. Insulation System: Class F 155°C. UL file E151556
5. Operating Temperature Range: All listed parameters are to be within tolerance from -40°C to +85°C
6. Storage Temperature Range: -55°C to +125°C
7. Aqueous wash compatible
8. SMD Lead Coplanarity: ±0.004"(0.102mm)
9. Electrical and mechanical specifications 100% tested
10. RoHS Compliant Component
11. Recommended IR Reflow peak temp of 235C Max.
12. UL60950 recognized for Supplementary Insulation, E165866.

DOC. REV: B/3

**PROPRIETARY** Document is the property of XFMRs Group & is not allowed to be duplicated without authorization.

<b>XFMRs Inc</b> www.XFMRs.com		Title: SMD T1/E1 ISOLATION MODULE	
UNLESS OTHERWISE SPECIFIED TOLERANCES: .xxx ±0.010		P/N: XFO013B24B	REV. B
Dimensions in Inch		DWN.	Juan Mao Mar-13-08
SHEET 1 OF 1		CHK.	YK Liao Mar-13-08
		APP.	Joe Huff Mar-13-08