

Low-Voltage, Low r_{ON} , Single SPDT Analog Switch In SC-89 Package

DESCRIPTION

The DG2011 is a low on-resistance, single-pole/double-throw monolithic CMOS analog switch. It is designed for low voltage applications with guaranteed operation at 2 V. The DG2011 is ideal for portable and battery powered equipment, requiring high performance and efficient use of board space. In addition to the low on-resistance (1.8 Ω at 2.7 V), charge injection is less than 10 pC over the entire analog range.

The switch conducts equally well in both directions when on, and blocks up to the power supply level when off.

The DG2011 is built on Vishay Siliconix's low voltage J12 process. An epitaxial layer prevents latchup.

Break-before-make is guaranteed.

The DG2011 represents a breakthrough in packaging development for analog switching products. The SC-89 package (1.6 x 1.6 mm²) – also known as SOT-666 in the industry – reduces board spacing by approximately 40 % while obtaining performance comparable to SC-70 analog switch devices available today.

As a committed partner to the community and the environment, Vishay Siliconix manufactures this product with the lead (Pb)-free device terminations. For analog switching products manufactured with 100 % matte tin device terminations, the lead (Pb)-free “-E3” suffix is being used as a designator.

FEATURES

- Low Voltage Operation (1.8 V to 5.5 V)
- Low On-Resistance - r_{ON} : 1.8 Ω at 2.7 V
- Low Charge Injection
- Low Voltage Logic Compatible
- SC-89 Package (1.6 x 1.6 mm)



RoHS*
COMPLIANT

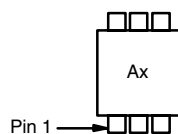
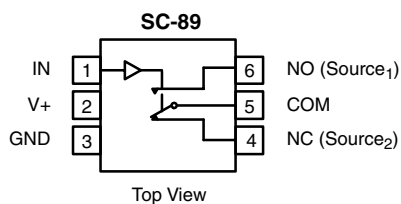
BENEFITS

- Reduced Power Consumption
- Simple Logic Interface
- High Accuracy
- Reduce Board Space
- Guaranteed 2 V Operation

APPLICATIONS

- Cellular Phones
- Communication Systems
- Portable Test Equipment
- Battery Operated Systems
- Sample and Hold Circuits
- ADC and DAC Applications
- Low Voltage Data Acquisition Systems

FUNCTIONAL BLOCK DIAGRAM AND PIN CONFIGURATION



Device Marking: Ax
x = Date/Lot Traceability Code

TRUTH TABLE		
Logic	NC	NO
0	ON	OFF
1	OFF	ON

COMMERCIAL ORDERING INFORMATION		
Temp Range	Package	Part Number
- 40 to 85 °C	SC-89 (SOT-666) with Tape and Reel	DG2011DX-T1**
	SC-89 (SOT-666) Lead (Pb)-free with Tape and Reel	DG2011DX-T1-E3** DG2011DXA-T1-E3

** Note:
DG2011DX-T1 and DG2011DX-T1-E3 are not recommended for new designs.

* Pb containing terminations are not RoHS compliant, exemptions may apply.



ABSOLUTE MAXIMUM RATINGS $T_A = 25\text{ }^\circ\text{C}$, unless otherwise noted			
Parameter	Symbol	Limit	Unit
Reference V_+ to GND		- 0.3 to + 6	V
IN, COM, NC, NO ^a		- 0.3 to ($V_+ + 0.3\text{ V}$)	
Continuous Current (NO, NC, COM pins)		± 150	mA
Peak Current (Pulsed at 1 ms, 10 % duty cycle)		± 300	
Storage Temperature	D Suffix	- 65 to 150	$^\circ\text{C}$
Power Dissipation (Packages) ^b	SC-89 ^c	172	mW

Notes:

- a. Signals on NC, NO, or COM or IN exceeding V_+ will be clamped by internal diodes. Limit forward diode current to maximum current ratings.
- b. All leads welded or soldered to PC Board.
- c. Derate 2.15 mW/ $^\circ\text{C}$ above 70 $^\circ\text{C}$.

SPECIFICATIONS ($V_+ = 2.0\text{ V}$)							
Parameter	Symbol	Test Conditions Otherwise Unless Specified $V_+ = 2.0\text{ V}$, $V_{IN} = 0.4\text{ V}$ or 1.6 V^e	Temp ^a	Limits - 40 to 85 $^\circ\text{C}$			Unit
				Min ^b	Typ ^c	Max ^b	
Analog Switch							
Analog Signal Range ^d	V_{NO}, V_{NC}, V_{COM}		Full	0		V_+	V
On-Resistance	r_{ON}	$V_+ = 2.0\text{ V}$, $V_{COM} = 0.2\text{ V}/0.9\text{ V}$ $I_{NO}, I_{NC} = 20\text{ mA}$	Room Full		3.5	5.5 5.5	Ω
Switch Off Leakage Current ^f	$I_{NO(off)}$ $I_{NC(off)}$	$V_+ = 2.2\text{ V}$, $V_{NO}, V_{NC} = 0.5\text{ V}/1.5\text{ V}$, $V_{COM} = 1.5\text{ V}/0.5\text{ V}$	Room Full	- 1 - 10		1 10	nA
	$I_{COM(off)}$		Room Full	- 1 - 10		1 10	
Channel-On Leakage Current ^f	$I_{COM(on)}$	$V_+ = 2.2\text{ V}$, $V_{NO}, V_{NC} = V_{COM} = 0.5\text{ V}/1.5\text{ V}$	Room Full	- 1 - 10		1 10	
Digital Control							
Input High Voltage	V_{INH}		Full	1.5			V
Input Low Voltage	V_{INL}		Full			0.4	
Input Capacitance	C_{in}		Full		4		pF
Input Current	I_{INL} or I_{INH}	$V_{IN} = 0$ or V_+	Full	1		1	μA
Dynamic Characteristics							
Turn-On Time	t_{ON}	V_{NO} or $V_{NC} = 1.5\text{ V}$, $R_L = 300\text{ }\Omega$, $C_L = 35\text{ pF}$	Room Full		75	110 113	ns
Turn-Off Time	t_{OFF}		Room Full		37	71 76	
Break-Before-Make Time	t_{BBM}		Room	1	37		
Charge Injection ^d	Q_{INJ}	$C_L = 1\text{ nF}$, $V_{GEN} = 0\text{ V}$, $R_{GEN} = 0\text{ }\Omega$	Room		7		pC
Off-Isolation ^d	OIRR	$R_L = 50\text{ }\Omega$, $C_L = 5\text{ pF}$, $f = 1\text{ MHz}$	Room		- 62		dB
Crosstalk ^d	X_{TALK}		Room		- 69		
N_O, N_C Off Capacitance ^d	$C_{NO(off)}$ $C_{NC(off)}$	$V_{IN} = 0$ or V_+ , $f = 1\text{ MHz}$	Room		29		pF
Channel-On Capacitance ^d	C_{ON}		Room		85		
Power Supply							
Positive Supply Range	V_+	$V_{IN} = 0$ or V_+		1.8		5.5	V
Negative Supply Current	I_+				0.01		1.0



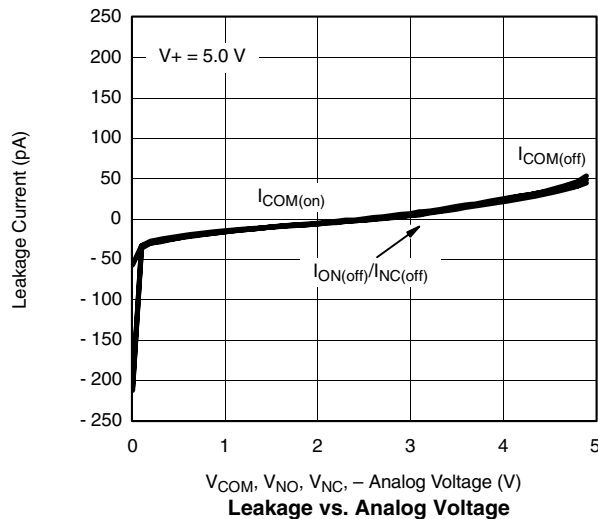
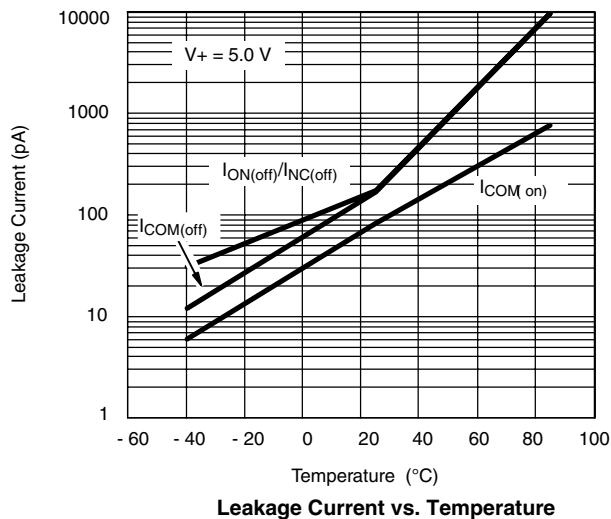
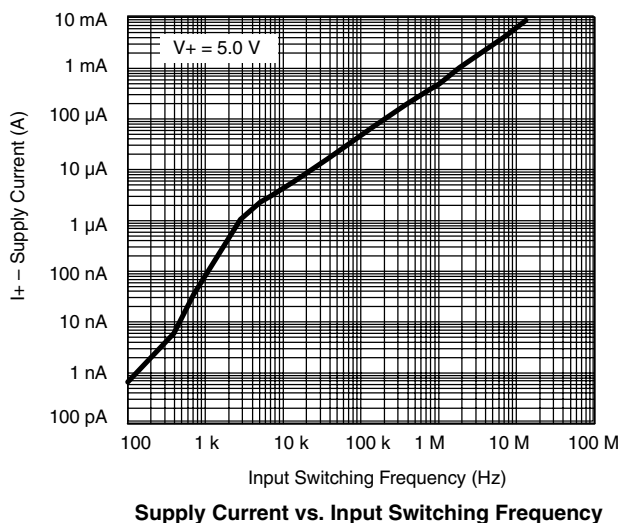
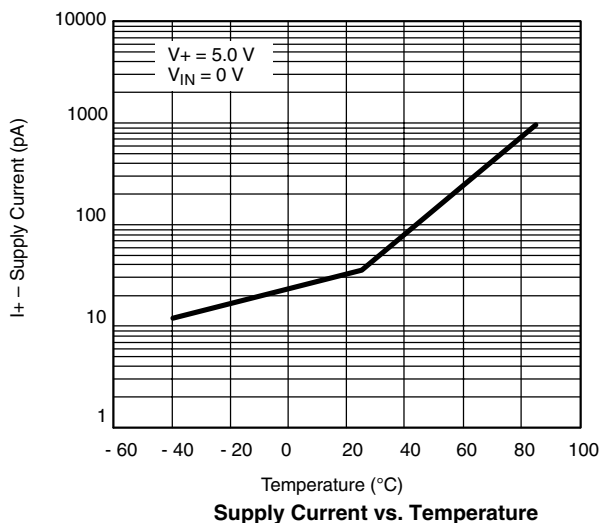
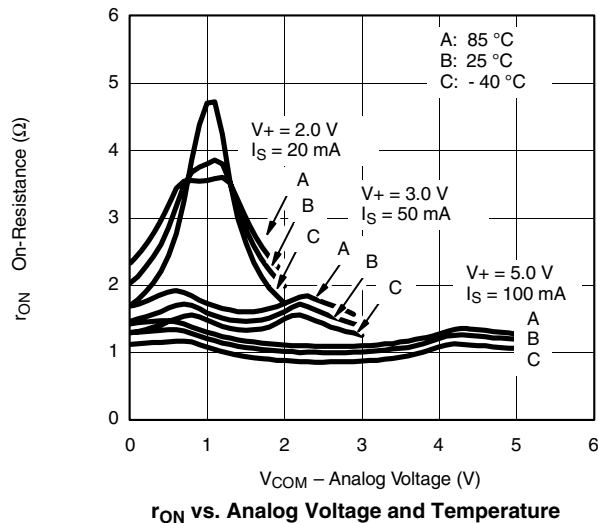
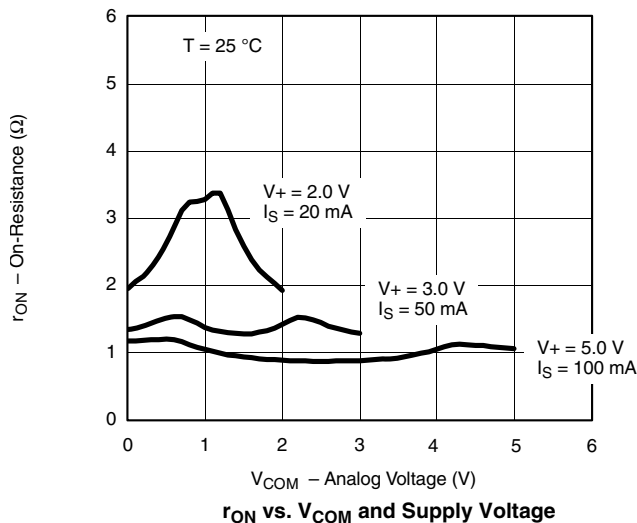
SPECIFICATIONS (V₊ = 3 V)							
Parameter	Symbol	Test Conditions Otherwise Unless Specified V ₊ = 3 V, ±10 %, V _{IN} = 0.4 V or 2.0 V ^e	Temp ^a	Limits -40 to 85 °C			Unit
				Min ^b	Typ ^c	Max ^b	
Analog Switch							
Analog Signal Range ^d	V _{NO} , V _{NC} , V _{COM}		Full	0		V ₊	V
On-Resistance	r _{ON}	V ₊ = 2.7 V, V _{COM} = 0.9 V/1.5 V I _{NO} , I _{NC} = 50 mA	Room Full		1.8	2.7 2.9	Ω
r _{ON} Match	Δr _{ON}		Room			0.2	
r _{ON} Flatness	r _{ON} Flatness		Room		0.2	0.5	
Switch Off Leakage Current	I _{NO(off)}	V ₊ = 3.3 V, V _{NO} , V _{NC} = 1 V/3 V, V _{COM} = 3 V/1 V	Room Full	- 1 - 10		1 10	nA
	I _{NC(off)}		Room Full	- 1 - 10		1 10	
	I _{COM(off)}		Room Full	- 1 - 10		1 10	
Channel-On Leakage Current ^f	I _{COM(on)}	V ₊ = 3.3 V, V _{NO} , V _{NC} = V _{COM} = 1 V/3 V	Room Full	- 1 - 10		1 10	
Digital Control							
Input High Voltage	V _{INH}		Full	1.6			V
Input Low Voltage	V _{INL}		Full			0.4	
Input Capacitance	C _{in}		Full		4		pF
Input Current	I _{INL} or I _{INH}	V _{IN} = 0 or V ₊	Full	1		1	μA
Dynamic Characteristics							
Turn-On Time	t _{ON}	V _{NO} or V _{NC} = 2.0 V, R _L = 300 Ω, C _L = 35 pF	Room Full		45	75 77	ns
Turn-Off Time	t _{OFF}		Room Full		29	59 62	
Break-Before-Make Time	t _{BBM}		Room	1	16		
Charge Injection ^d	Q _{INJ}	C _L = 1 nF, V _{GEN} = 0 V, R _{GEN} = 0 Ω	Room		2		pC
Off-Isolation ^d	OIRR	R _L = 50 Ω, C _L = 5 pF, f = 1 MHz	Room		- 62		dB
Crosstalk ^d	X _{TALK}		Room		- 68		
N _O , N _C Off Capacitance ^d	C _{NO(off)} C _{NC(off)}	V _{IN} = 0 or V ₊ , f = 1 MHz	Room		28		pF
Channel-On Capacitance ^d	C _{ON}		Room		84		
Power Supply							
Power Supply Range	V ₊			1.8		5.5	V
Power Supply Current	I ₊	V _{IN} = 0 or V ₊			0.01	1.0	μA
Power Consumption	P _C						3.3

Notes:

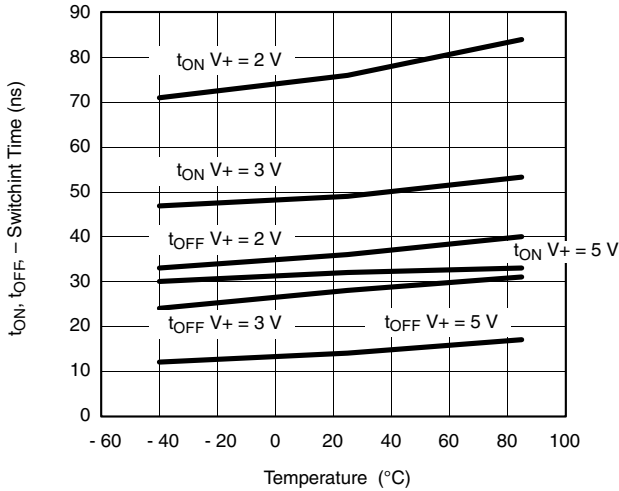
- a. Room = 25 °C, Full = as determined by the operating suffix.
- b. Typical values are for design aid only, not guaranteed nor subject to production testing.
- c. The algebraic convention whereby the most negative value is a minimum and the most positive a maximum, is used in this data sheet.
- d. Guarantee by design, nor subjected to production test.
- e. V_{IN} = input voltage to perform proper function.
- f. Guaranteed by 5 V leakage testing, not production tested.

Stresses beyond those listed under "Absolute Maximum Ratings" may cause permanent damage to the device. These are stress ratings only, and functional operation of the device at these or any other conditions beyond those indicated in the operational sections of the specifications is not implied. Exposure to absolute maximum rating conditions for extended periods may affect device reliability.

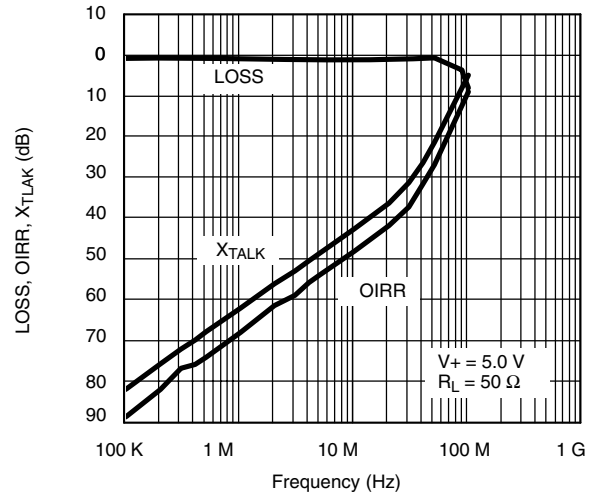
TYPICAL CHARACTERISTICS $T_A = 25^\circ\text{C}$, unless otherwise noted



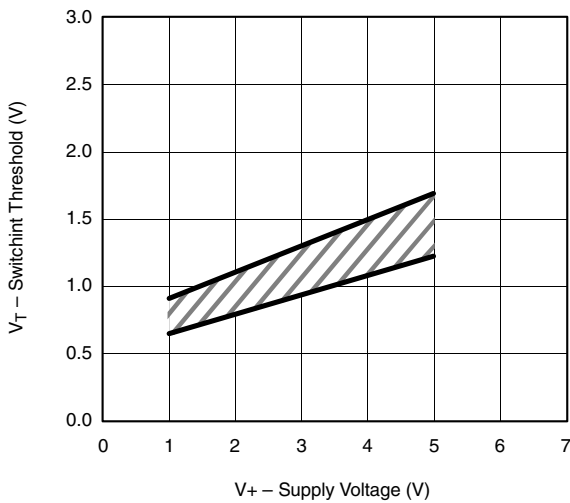
TYPICAL CHARACTERISTICS $T_A = 25^\circ\text{C}$, unless otherwise noted



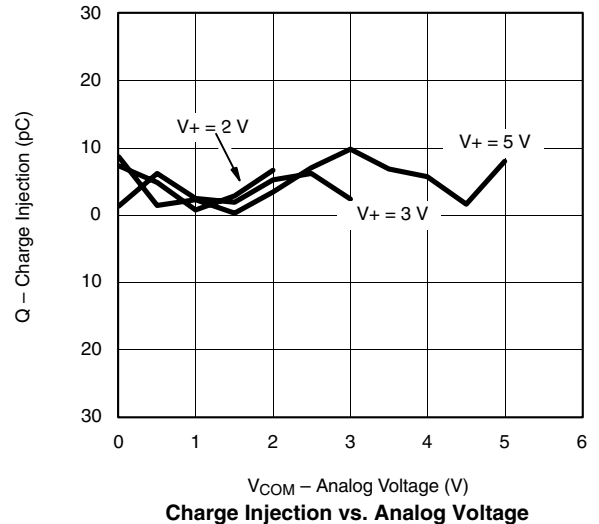
Switching Time vs. Temperature and Supply Voltage



Insertion Loss, Off-Isolation, Crosstalk vs. Frequency

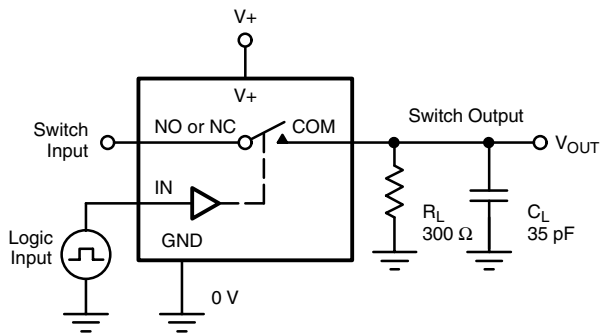


Switching Threshold vs. Supply Voltage



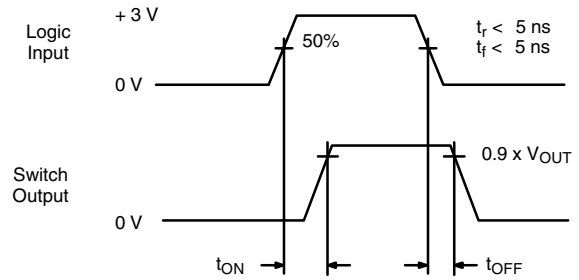
Charge Injection vs. Analog Voltage

TEST CIRCUITS



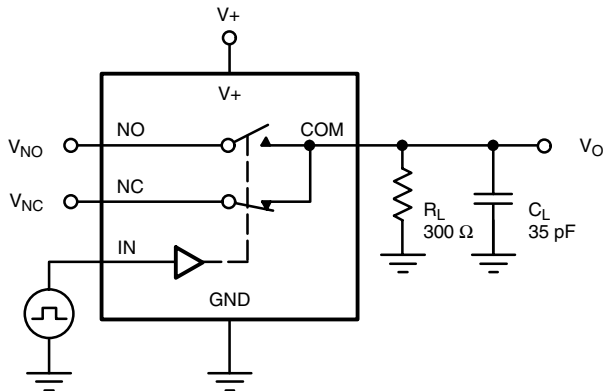
C_L (includes fixture and stray capacitance)

$$V_{OUT} = V_{COM} \left(\frac{R_L}{R_L + R_{ON}} \right)$$



Logic "1" = Switch On
Logic input waveforms inverted for switches that have the opposite logic sense.

Figure 1. Switching Time



C_L (includes fixture and stray capacitance)

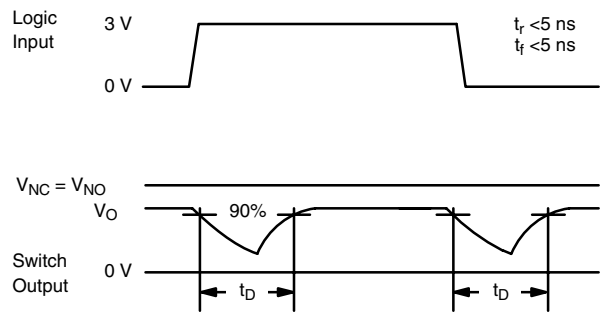
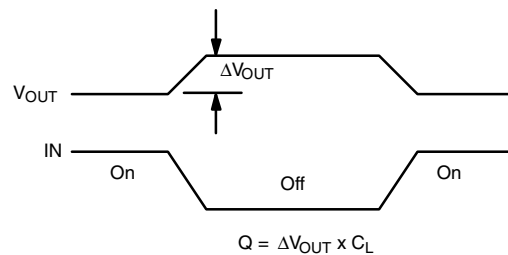
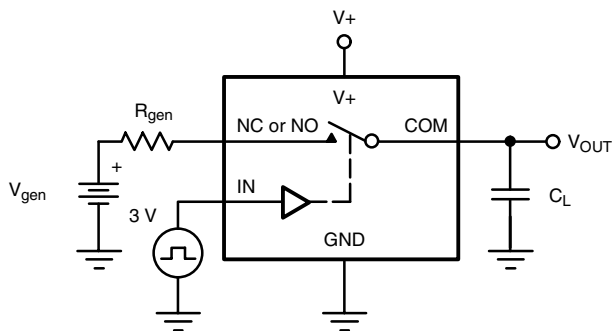


Figure 2. Break-Before-Make Interval



IN depends on switch configuration: input polarity determined by sense of switch.

Figure 3. Charge Injection

TEST CIRCUITS

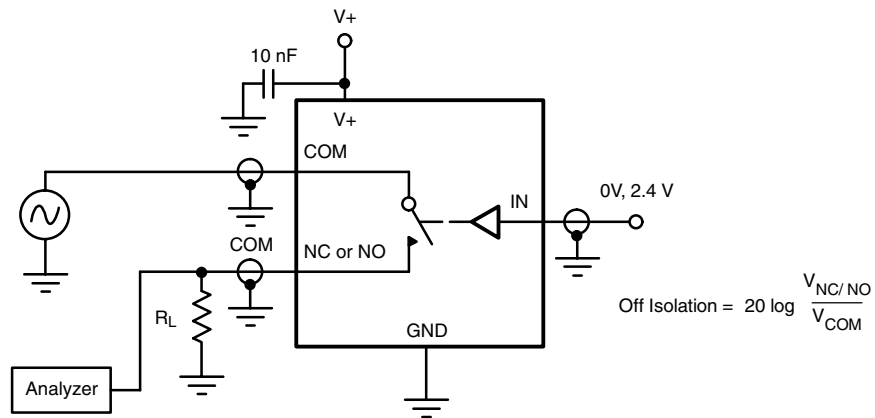


Figure 4. Off-Isolation

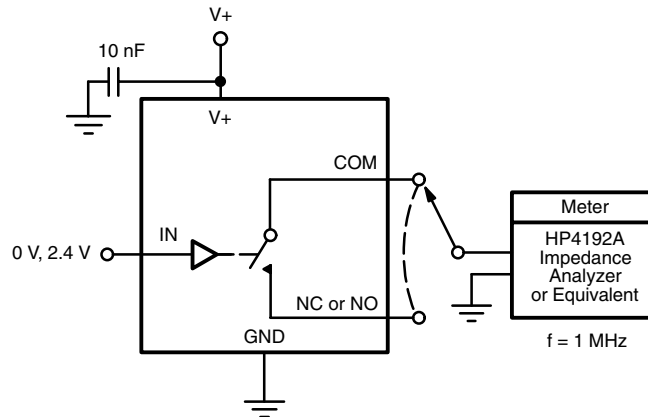


Figure 5. Channel Off/On Capacitance

Vishay Siliconix maintains worldwide manufacturing capability. Products may be manufactured at one of several qualified locations. Reliability data for Silicon Technology and Package Reliability represent a composite of all qualified locations. For related documents such as package/tape drawings, part marking, and reliability data, see <http://www.vishay.com/ppg?70102>.



Disclaimer

All product specifications and data are subject to change without notice.

Vishay Intertechnology, Inc., its affiliates, agents, and employees, and all persons acting on its or their behalf (collectively, "Vishay"), disclaim any and all liability for any errors, inaccuracies or incompleteness contained herein or in any other disclosure relating to any product.

Vishay disclaims any and all liability arising out of the use or application of any product described herein or of any information provided herein to the maximum extent permitted by law. The product specifications do not expand or otherwise modify Vishay's terms and conditions of purchase, including but not limited to the warranty expressed therein, which apply to these products.

No license, express or implied, by estoppel or otherwise, to any intellectual property rights is granted by this document or by any conduct of Vishay.

The products shown herein are not designed for use in medical, life-saving, or life-sustaining applications unless otherwise expressly indicated. Customers using or selling Vishay products not expressly indicated for use in such applications do so entirely at their own risk and agree to fully indemnify Vishay for any damages arising or resulting from such use or sale. Please contact authorized Vishay personnel to obtain written terms and conditions regarding products designed for such applications.

Product names and markings noted herein may be trademarks of their respective owners.