

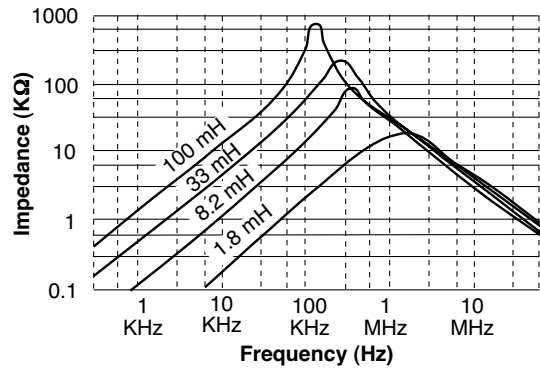


- Used as AC Power Line Filters in CTV, VTR, Audio, PC, Facsimile and Power Supply Applications
- UL940-V Recognized Materials
- Temperature Rise : 45°C Max.
- UL1446 Insulating System
- 2000 Vrms Isolation

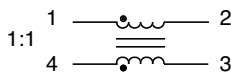
Electrical Parameters @ 25° C

Part Number	Inductance (mH Min.) [Pins 1-2, 4-3]	Current Rating (A rms Max.)
EPZ3043H-102	1.0	2.1
EPZ3043H-122	1.2	2.0
EPZ3043H-152	1.5	1.6
EPZ3043H-222	2.2	1.5
EPZ3043H-272	2.7	1.3
EPZ3043H-392	3.9	1.0
EPZ3043H-472	4.7	1.0
EPZ3043H-682	6.8	0.8
EPZ3043H-822	8.2	0.7
EPZ3043H-183	18	0.5
EPZ3043H-223	22	0.4
EPZ3043H-333	33	0.4
EPZ3043H-473	47	0.3
EPZ3043H-683	68	0.25

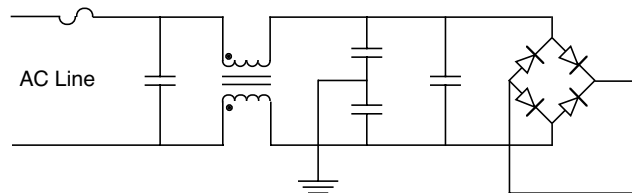
Impedance Characteristics



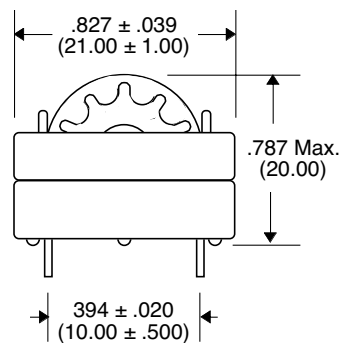
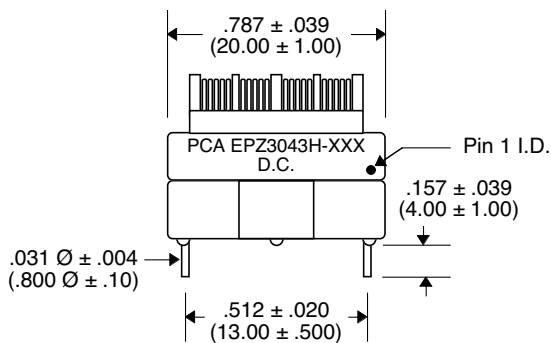
Schematic



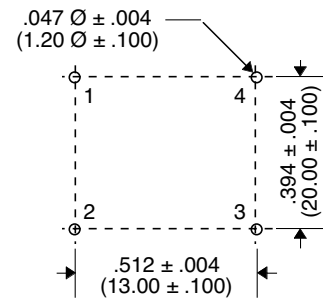
Circuit Sample



Package



Recommended PWB Piercing Plan



Unless Otherwise Specified Dimensions are in Inches /mm ±.010 /25