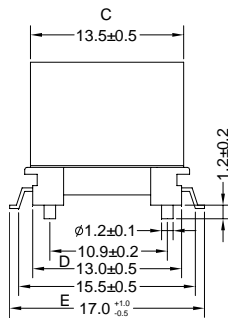
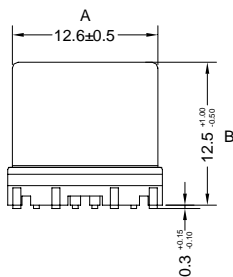
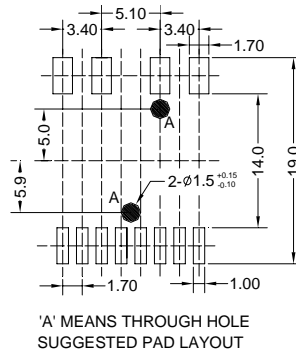
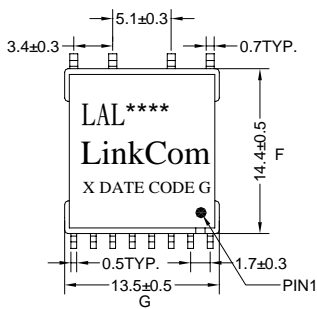


Broadband Access Transformer

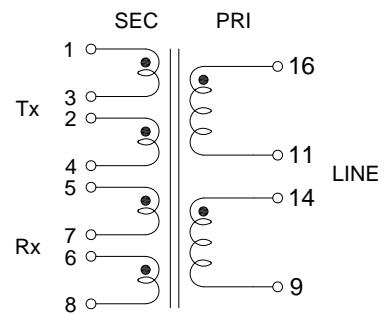
- Designed to meet UL 60950 and EN 60950 requirements for supplementary insulation
- RoHS Compliant
- Operating Temperature -40°C to 85°C

Electrical Specifications @25°C	
OCL:	PIN 16-9= 400uH ±10% @ 10KHz/0.1V/Ser. (PIN 14-11 Short)
Leakage Inductance:	PIN 9-16= 3.5uH ±1 @ 100KHz/0.1V (PIN 1-2-3-4,11-14 Short)
	PIN 9-16= 10uH ±2 @ 100KHz/0.1V (PIN 11-14,5-6-7-8 Short)
Interwinding Capacitance	PIN 1-8= 22pF±5 @ 100KHz/0.1V (PIN 2-3,6-7 Short)
	PIN 1-16= 37.5pF±9 @ 100KHz/0.1V (PIN 2-3,11-14 Short)
	PIN 5-16= 14.5pF±3 @ 100KHz/0.1V (PIN 6-7,11-14 Short)
T.H.D	PIN 1-4 to PIN 16-9 = -83dB Max. @ 30KHz/2V (PIN 11-14,2-3 Short)
	PIN 5-8 to PIN 16-9 = -83dB Max. @ 30KHz/2V (PIN 11-14,6-7 Short)
D.C.Resistance	PIN 1-4 = 1.1 ohm ±10% (PIN 2-3 Short)
	PIN 5-8 = 570 mohm ±10% (PIN 6-7 Short)
	PIN 9-16 = 1.1 ohm ±10% (PIN 11-14 Short)
Hi-POT :	PRI - SEC =1875VAC/60Hz/2Seconds/1mA
Turn Ratio:	PIN16-9 : PIN 1-4 = 1±2% :1 (PIN 11-14,2-3 Short)
	PIN16-9 : PIN 5-8 = 4.28±2% :1 (PIN 11-14,6-7 Short)

Dimensions (Units: mm)



Schematic



Mark

- 1.LAL ****----LAL0683
2. X----PRODUCT LINE
3. DATE CODE----YYWW
4. G----RoHS