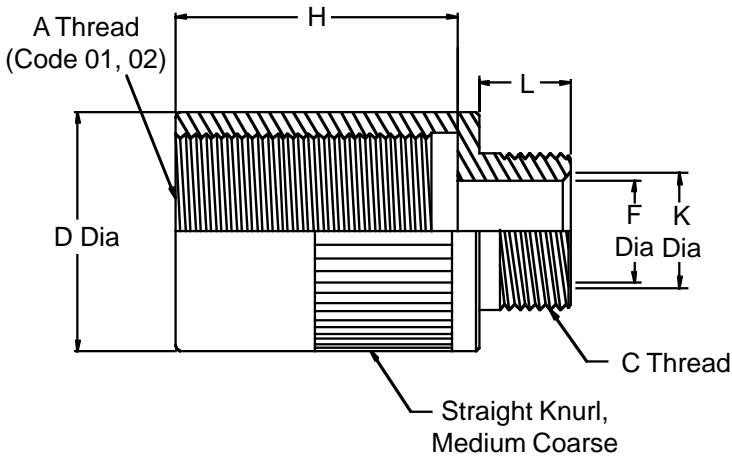
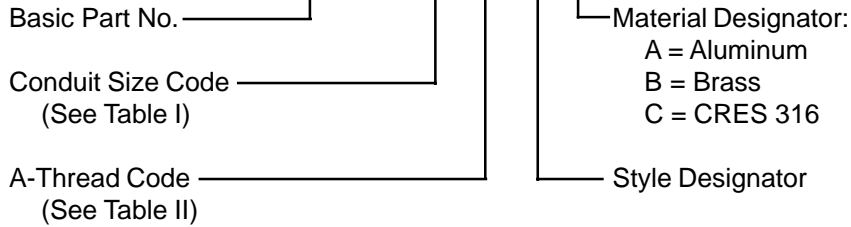
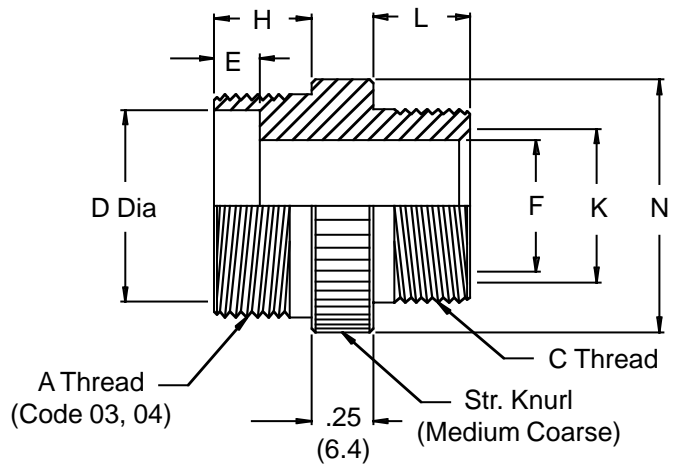


M24758/10-16-01-01-A



STYLE 01
ADAPTER WITH
INTERNAL "A" THREAD



STYLE 02
ADAPTER WITH
EXTERNAL "A" THREAD

1. The M24758/10 adapter couples triaxial connectors to M24758/2, M24758/3 or M24758/4 fittings.
2. Metric dimensions (mm) are indicated in parentheses.
3. For complete dimensions see applicable Military Specification.

M24758/10 Adapter for Triaxial Connectors



TABLE I

Conduit Size Code	C Thread (Class 2A)	L		K Dia Min.		N Dia	
		±.02	(.5)			±.02	(.5)
02	0.438 - 28 UNEF	.210	(5.3)	.250	(6.4)	.687	(17.4)
03	0.563 - 24 UNEF	.250	(6.4)	.370	(9.4)	.812	(20.6)
04	0.688 - 24 UNEF	.250	(6.4)	.500	(12.7)	.937	(23.8)
05	0.813 - 20 UNEF	.310	(7.9)	.620	(15.7)	1.062	(27.0)
06	0.938 - 20 UNEF	.310	(7.9)	.750	(19.1)	1.187	(30.1)
08	1.250 - 18 UNEF	.370	(9.4)	1.000	(25.4)	1.500	(38.1)
10	1.563 - 18 UNEF	.370	(9.4)	1.250	(31.8)	1.812	(46.0)
12	1.875 - 16 UN	.430	(10.9)	1.500	(38.1)	2.125	(54.0)
16	2.375 - 16 UN	.430	(10.9)	2.000	(50.8)	2.625	(66.7)
20	2.875 - 16 UN	.430	(10.9)	2.500	(63.5)	3.125	(79.4)
24	3.375 - 16 UN	.430	(10.9)	3.000	(76.2)	3.625	(92.1)

TABLE II (MIL-C-5015 Connector Code)

A Thread Code	Connector Part Number		A Thread	D Dia Min.	E Min.	F Dia Min.	H Dia ±.02 (.5)	Cable Reference	
	ITT/Cannon	Formerly Greomar						Type	OD ±.02 (.5)
01	152105-2380	5633	0.750 - 16 UNF Class 2B	.875 (22.2)	--	.297 (7.5)	.562 (14.3)	RG-233/U	.216 (5.5)
								RG-58C/U	.195 (5.0)
02	152100-2390	7991	0.875 - 20 UNEF Class 2B	1.000 (25.4)	--	.515 (13.1)	.500 (12.7)	RG-214/U	.425 (10.8)
								RG-98/U	.420 (10.7)
03	152190-0000	16312	1.063 - 18 UNEF Class 2A	.922 (23.4)	.187 (4.7)	.564 (14.3)	.312 (7.9)	RG-14A/U	.545 (13.8)
								RE-293A/U	.545 (13.8)
								*TRF-8	.500 (12.7)
								RG-14A/U	.545 (13.8)
04		11865	1.063 - 18 UNEF Class 2A	.922 (23.4)	.227 (5.8)	.564 (14.3)	.335 (8.5)	RE-293A/U	.545 (13.8)
								*TRF-8	.500 (12.7)

* Times Wire and Cable Co.