



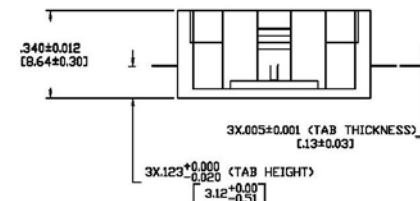
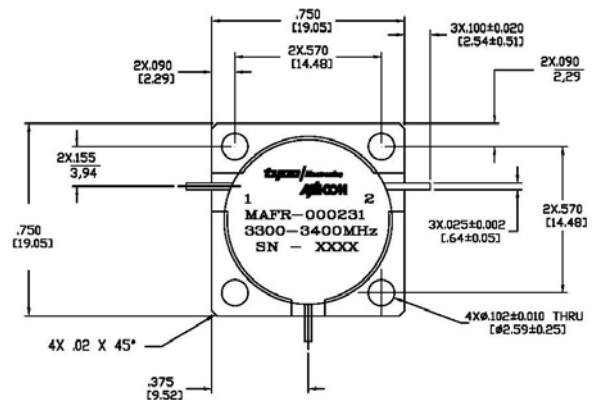
Single Junction Drop-In Circulator 3.3 GHz—3.4 GHz

Features

- Designed for WiMax market
- 25dB Isolation typical
- 0.20dB Insertion Loss typical
- Low cost package
- RoHS compliant
- Flat pack packaging

Description

This circulator is designed specifically for WiMax applications and features high reliability performance at a low cost. It is in a low cost package ideally suited for high volume manufacturing. M/A Com is one of the largest suppliers of isolator and circulators in the world.



Electrical Specifications

$$T = T_{op}^1, Z_0 = 50 \text{ Ohms}$$

Parameter	Test Conditions	Units	Min	Typ @25°C	Max
Frequency Range		GHz	3.3		3.4
Insertion Loss	3.3 GHz—3.4 GHz	dB		0.20	0.25
Isolation	3.3 GHz—3.4 GHz	dB	20.0	25.0	
Return Loss (Port 1 & 2)	3.3 GHz—3.4 GHz	dB	20.0	25.0	
Intermodulation	3.3 GHz—3.4 GHz	dBc	60.0	65.0	
Circulation			Clockwise		

1. See "Absolute Maximum Ratings" for T_{op} .

Absolute Maximum Ratings

Parameter	Absolute Maximum
Forward Power, CW	200 Watts
Reverse Power, CW	200 Watts
Peak Power	1000 Watts
Operating Temperature	-40°C to +85°C
Storage Temperature	-40°C to +100°C

1

ADVANCED: Data Sheets contain information regarding a product M/A-COM Technology Solutions is considering for development. Performance is based on target specifications, simulated results, and/or prototype measurements. Commitment to develop is not guaranteed.

PRELIMINARY: Data Sheets contain information regarding a product M/A-COM Technology Solutions has under development. Performance is based on engineering tests. Specifications are typical. Mechanical outline has been fixed. Engineering samples and/or test data may be available. Commitment to produce in volume is not guaranteed.

• **North America** Tel: 800.366.2266 • **Europe** Tel: +353.21.244.6400
• **India** Tel: +91.80.4155721 • **China** Tel: +86.21.2407.1588

Visit www.macomtech.com for additional data sheets and product information.

M/A-COM Technology Solutions Inc. and its affiliates reserve the right to make changes to the product(s) or information contained herein without notice.