



Part Number	Package	Application	Last Modified
803-RF311.0M-A	3.8 x 3.8 SMD	Wireless	Mar. 10, 2007

TYPE :
Wireless RF SAW Filter

PART NUMBER :
803-RF311.0M-A



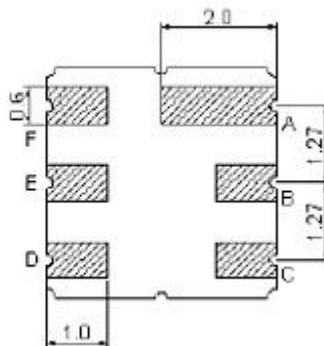
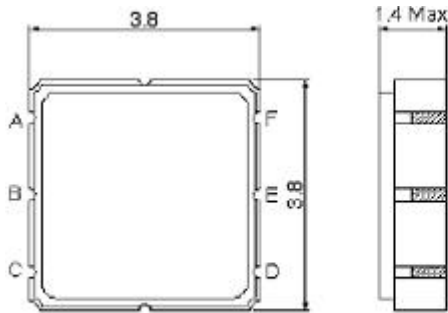
OPERATING CONDITIONS / ELECTRICAL CHARACTERISTICS

PARAMETERS	Condition	Minimum	Typical	Maximum	Units
Center Frequency (Fo)	-	-	311.0	-	MHz
Insertion Loss	309.35 ~ 312.65 MHz	-	1.6	3.0	dB
Attenuation:	DC ~ Fo-42.8 MHz	50	55	-	dB
	Fo+4.00 ~ Fo+200.0 MHz	50	55	-	
Source Impedance (single ended)*	-	-	150	-	ohm
Load Impedance (single ended)*	-	-	150	-	ohm
Amplitude Ripple	309.35 ~ 312.65 MHz	-	0.6	2.0	dBp-p
Maximum Input Power	-	-	-	0	dBm
Maximum DC Voltage	-	-	-	10	V
Operating Temperature	-	-30	-	+65	°C

* With Matching Network(ref. Testing Environment Circuit as Shown below)

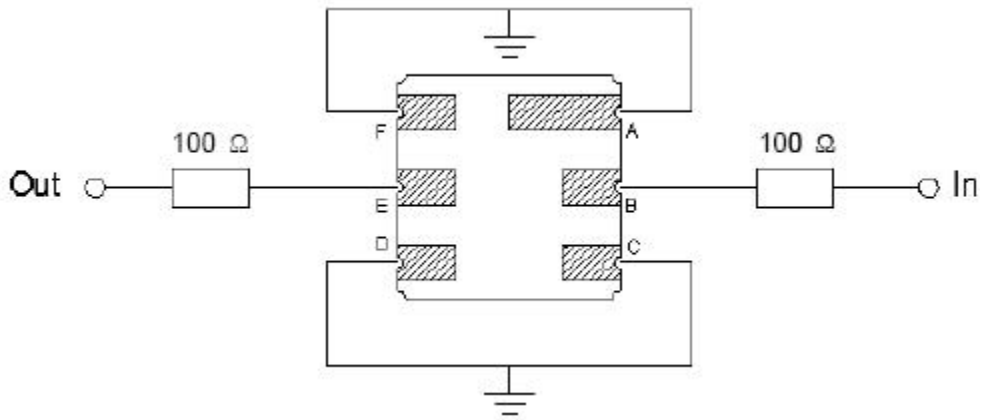
* Those impedances could be modified with different impedance values and/or structures, if necessary

PACKAGE OUTLINE (mm)



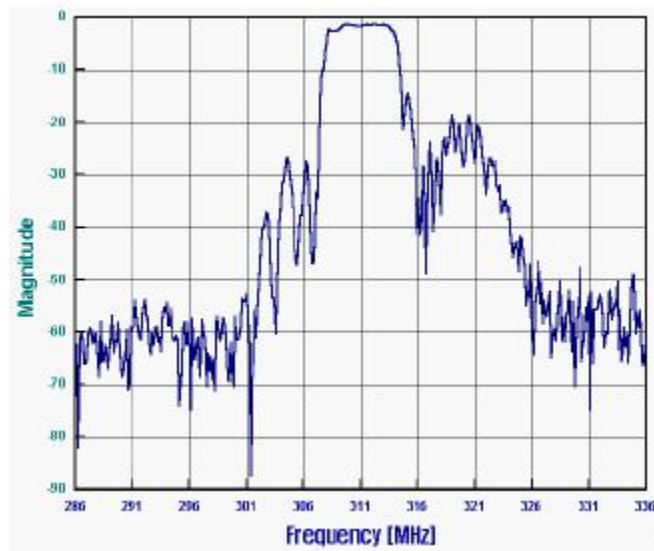
PIN LAYOUT	
A	Ground
B	In
C	Ground
D	Ground
E	Out
F	Ground

TEST FIXTURE



Source/ Load Impedance = 150 ohms

FREQUENCY RESPONSE



Oscilent Corporation - CALL **949.252.0522**

Part No.: 803-RF311.0M-A

18195 East McDermott Street, Building D, Irvine, CA 92614, USA
 Fax: 949.252.0599, E-Mail: Sales@Oscilent.com