

EDP-S-30B-X-XXXX-XX



**Features**

- 1300nm Wavelength
- High Optical Power
- High Operating Current
- High Operating Temperature
- Low Modal Noise
- Single mode/ Multi mode fiber pigtailed with optional FC/ST/SC/without connector
- For Datacom or Measurement Application
- RoHS compliant available

**Absolute Maximum Ratings (Tc=25°C)**

Parameter	Symbol	Condition	Rating	Unit
Reverse Voltage	$V_r$	CW	2.5	V
Forward Current	$I_f$	CW	150	mA
Operating Temperature	$T_{opr}$	-	-20 ~ 70	°C
Storage Temperature	$T_{stg}$	-	-40 ~ 85	°C

(All optical data refer to a coupled 9/125 $\mu$ m SM & 50/125 $\mu$ m MM fiber)

**Optical and Electrical Characteristics 1300nm (Tc=25°C)**

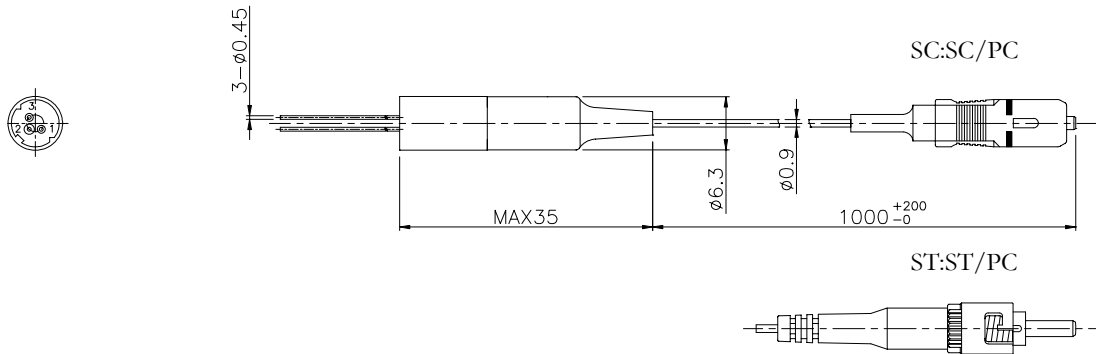
Parameter	Symbol	Min	Typ	Max	Unit	Test Conditions
Center Wavelength	$\lambda_c$	1260	1300	1340	nm	CW
Spectral Width	$\Delta\lambda$	30	-	80	nm	CW(FWHM)
Operating Current	$I_{op}$	-	40	60	mA	CW
Output Power (SM, 9/125 $\mu$ m)	$P_o$	L	10	20	-	CW at $I_{op}=40$ mA
M		20	30	-		
H		30	45	-		
Output Power (MM, 50/125 $\mu$ m)	$P_o$	L	20	30	-	CW at $I_{op}=40$ mA
M		30	45	-		
H		50	75	-		
Spectral Ripple		-	-	10	%	$\lambda_c \pm 10$ nm
Forward Voltage	$V_f$	-	1.2	2.0	V	CW
Rise Time	$T_r$	-	1.5	-	ns	
Fall Time	$T_f$	-	2.5	-	ns	
Output Power Variation		-	4	-	dB	25°C to 70°C

**EDP-S-30B-X-XXXX-XX**

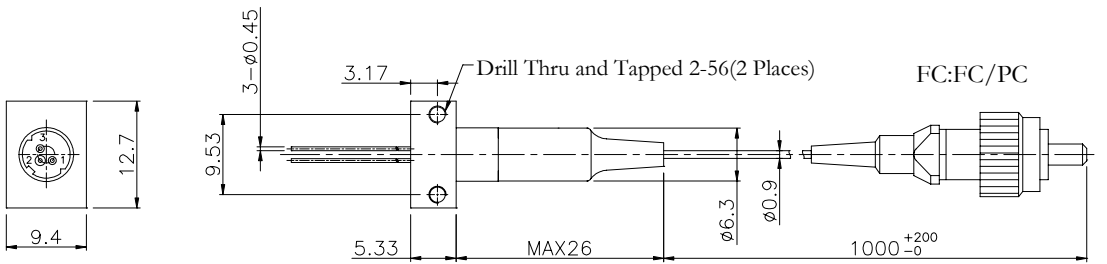
Pin Assignment

Units in mm.

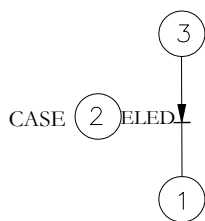
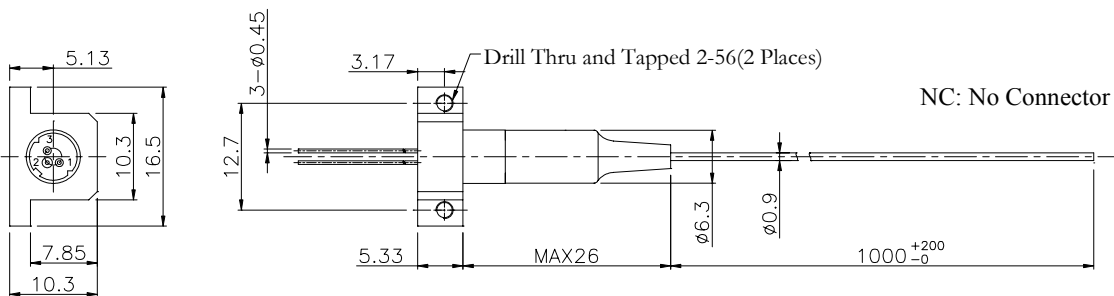
Flange Type : N - NC package



Flange Type : C - SP package



Flange Type : D - SPF package

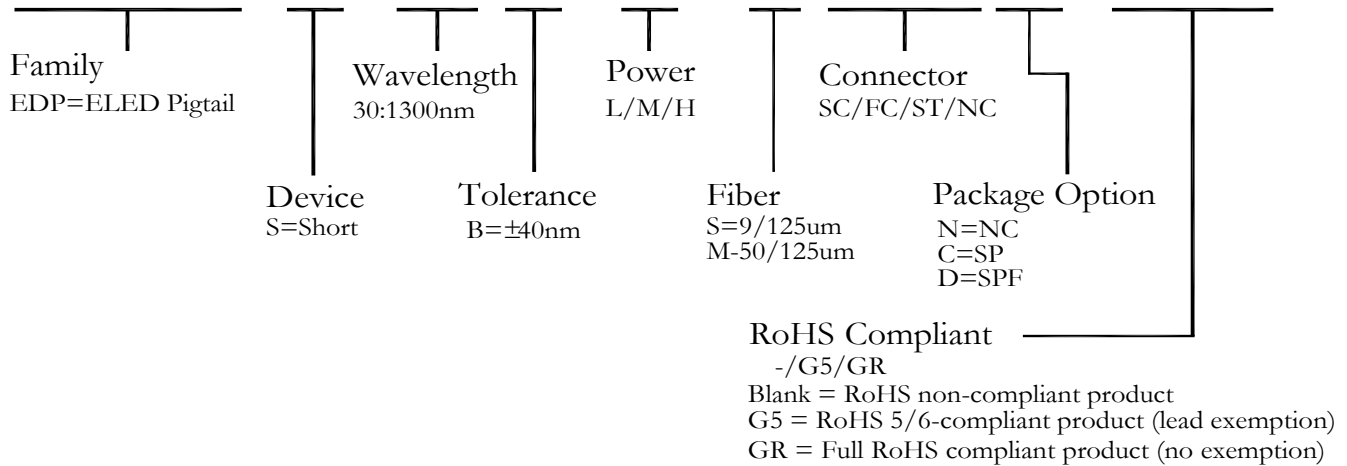


Pin 1: ELED Cathode  
 Pin 2: Case  
 Pin 3: ELED Anode

EDP-S-30B-X-XXXX-XX

Ordering Information

EDP-S-30B-X-XXXX-XX



Warnings

Handling Precautions: This device is susceptible to damage as a result of electrostatic discharge (ESD). A static free environment is highly recommended. Follow guidelines according to proper ESD procedures.  
Laser Safety: Radiation emitted by laser devices can be dangerous to human eyes. Avoid eye exposure to direct or indirect radiation.

Legal Notice

**IMPORTANT NOTICE!**  
All information contained in this document is subject to change without notice, at Luminent's sole and absolute discretion. Luminent warrants performance of its products to current specifications only in accordance with the company's standard one-year warranty; however, specifications designated as "preliminary" are given to describe components only, and Luminent expressly disclaims any and all warranties for said products, including express, implied, and statutory warranties, warranties of merchantability, fitness for a particular purpose, and non-infringement of proprietary rights. Please refer to the company's Terms and Conditions of Sale for further warranty information.

Luminent assumes no liability for applications assistance, customer product design, software performance, or infringement of patents, services, or intellectual property described herein. No license, either express or implied, is granted under any patent right, copyright, or intellectual property right, and Luminent makes no representations or warranties that the product(s) described herein are free from patent, copyright, or intellectual property rights. Products described in this document are NOT intended for use in implantation or other life support applications where malfunction may result in injury or death to persons. Luminent customers using or selling products for use in such applications do so at their own risk and agree to fully defend and indemnify Luminent for any damages resulting from such use or sale.

THE INFORMATION CONTAINED IN THIS DOCUMENT IS PROVIDED ON AN "AS IS" BASIS. Customer agrees that Luminent is not liable for any actual, consequential, exemplary, or other damages arising directly or indirectly from any use of the information contained in this document. Customer must contact Luminent to obtain the latest version of this publication to verify, before placing any order, that the information contained herein is current.

© LuminentOIC, Inc. 2006  
All rights reserved