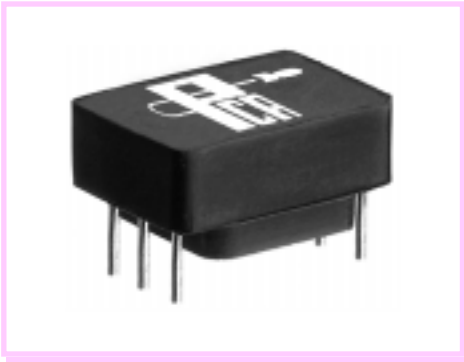


T1/CEPT/ISDN-PRI Interface Transformers



- Extended Operation Temperature: -40°C to +85°C •
- Optimized for Leading Transceiver I.C.'s •
- Meets or exceeds UL1459, UL1950 & EN60950 Standards •
 - 1500 Vrms Isolation •
- See Selection Guide for I.C. Cross Reference •

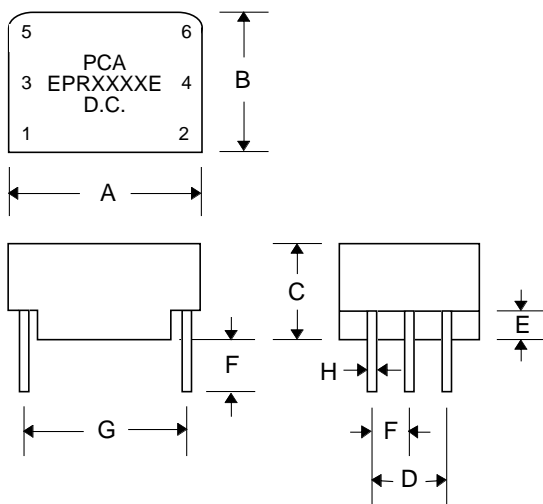
Electrical Parameters @ 25° C

Part Number	Turns Ratio	OCL (mH Min.)	Cw/w (pF Max.)	LI (μH Max.)	Pri. DCR (Ω Max.)	Sec. DCR (Ω Max.)	Schematic
EPR1011E	1:1.36	1.2	35	0.8	0.9	1.2	C
EPR1012E	1:1.15CT	1.5	40	0.8	0.9	1.0	D
EPR1013E	1CT:2CT	1.2	50	0.6	1.0	2.0	B
EPR1014E	1CT:1CT	1.2	40	1.0	1.0	1.0	A
EPR1015E	1CT:3CT	1.2	60	0.8	0.9	2.7	A
EPR1016E	1:1/1.26	1.5	50	0.8	0.9	1.1	D

Schematic



Package



Dimensions

Dim.	(Inches)			(millimeters)		
	Min.	Max.	Nom.	Min.	Max.	Nom.
A	.480	.500	.490	12.19	12.70	12.45
B	.340	.360	.350	8.64	9.14	8.89
C	.230	.250	.240	5.84	6.35	6.10
D	---	---	.200	---	---	5.08
E	.075	.085	.080	1.90	2.16	2.03
F	---	---	.100	---	---	2.54
G	.395	.405	.400	10.03	10.29	10.16
H	.017	.023	.020	.432	.584	.508
I	.120	.140	.130	3.05	3.56	3.30