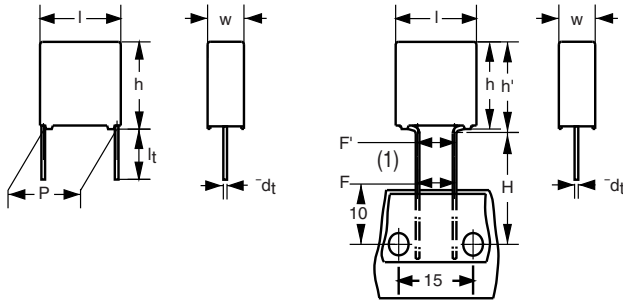


Interference Suppression Film Capacitors MKP Radial Potted Type



Dimensions in mm

Note

(1) $|F - F'| < 0.3 \text{ mm}$
 $F = 7.5 \text{ mm} + 0.6 \text{ mm} / - 0.1 \text{ mm}$

APPLICATIONS

For standard line bypass (between line and ground) Y2 applications
 See also application note:
www.vishay.com/doc?28153

REFERENCE STANDARDS

“IEC 60384-14 ed-3 and EN 60384-14”
 “IEC 60065 requires, pass. flamm. class B”
 UL1414; CSA - C22.2 No. 1;
 UL1283; ENEC; CSA E 384-14-95

MARKING

C-value; tolerance; rated voltage; sub-class; manufacturer’s type designation; code for dielectric material, manufacturer location; manufacturer’s logo, year and week; safety approvals

DIELECTRIC

Polypropylene film

ELECTRODES

Metallized film

CONSTRUCTION

Series and triple construction

RATED VOLTAGE

AC 300 V; 50 Hz to 60 Hz

FEATURES

- AEC-Q200 qualified
- 7.5 mm to 27.5 mm lead pitch, 15 mm and 10 mm bent back to 7.5 mm, supplied loose in box, taped on ammpack or reel
- Find more about Vishay’s Automotive Grade Product requirements at:
www.vishay.com/applications
- Compliant to RoHS directive 2002/95/EC



**RoHS
COMPLIANT**

PERMISSIBLE DC VOLTAGE

DC 1000 V

ENCAPSULATION

Plastic case, epoxy resin sealed, flame retardant class UL 94 V0

CLIMATIC TESTING CLASS ACC. TO IEC 60068-1

55/105/56/B

CAPACITANCE RANGE (E12 SERIES)

E12 series 0.001 to 0.47 μF
 Preferred values acc. to E6

CAPACITANCE TOLERANCE

$\pm 20 \%$; $\pm 10 \%$; $\pm 5 \%$

LEADS

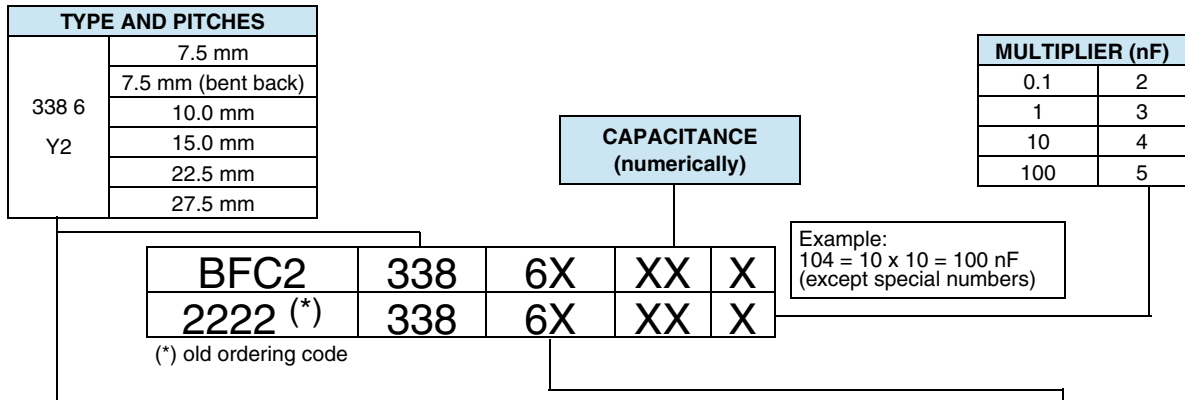
Tinned wire

MAXIMUM APPLICATION TEMPERATURE

105 °C

DETAIL SPECIFICATION

For more detailed data and test requirements contact:
RFI@vishay.com

COMPOSITION OF CATALOG NUMBER


TYPE	PACKAGING	STANDARD DIMENSIONS	C-TOL	PREFERRED TYPES
338 6 Y2	Loose in box	Lead length 3.5 mm + 1 mm/- 0.5 mm (pitch 7.5 mm and 10 mm) Lead length 3.5 mm ± 0.3 mm (pitch > 10 mm)	± 20 %	BFC2 338 60
	Taped ammo	Lead length 5.0 mm ± 1.0 mm		BFC2 338 62
		Lead length 25.0 mm ± 2.0 mm		BFC2 338 64
		Pitch = 7.5 mm H = 18.5 mm; P ₀ = 12.7 mm		BFC2 338 66
		ALTERNATIVE PITCH SIZES		ON REQUEST
338 6 Y2	Loose in box	Lead length 3.5 mm + 1 mm/- 0.5 mm (pitch 7.5 mm and 10 mm) Lead length 3.5 mm ± 0.3 mm (pitch > 10 mm)	± 20 %	See tables for details
		Lead length 5.0 mm ± 1.0 mm		
		Lead length 25.0 mm ± 2.0 mm		
		ALTERNATIVE TAPED VERSION		ON REQUEST
338 6 Y2	Taped reel ⁽¹⁾	Pitch = 7.5 mm and 10.0 mm H = 18.5 mm; for P ₀ = 12.7 mm; reel diameter = 500 mm	± 20 %	See tables for details
		Pitch bent back to 7.5 mm H = 16.0 mm; P ₀ = 15.0 mm; reel diameter = 500 mm		
		ALTERNATIVE C-TOL		ON REQUEST
338 6 Y2	Loose in box	Lead length 3.5 mm + 1 mm/- 0.5 mm (pitch 7.5 mm and 10 mm) Lead length 3.5 mm ± 0.3 mm (pitch > 10 mm)	± 10 %	See tables for details
		Lead length 5.0 mm ± 1.0 mm	± 5 %	
			± 10 %	
	Lead length 25.0 mm ± 2.0 mm	± 5 %		
		± 10 %		
	Taped ammo ⁽¹⁾	Pitch = 7.5 mm H = 18.5 mm; for P ₀ = 12.7 mm	± 10 %	
		± 5 %		
	Taped reel ⁽¹⁾	Pitch bent back to 7.5 mm H = 16.0 mm; P ₀ = 15.0 mm; reel diameter = 500 mm	± 10 %	
		± 5 %		
		Pitch = 7.5 mm and 10.0 mm H = 18.5 mm; P ₀ = 12.7 mm; reel diameter = 500 mm	± 10 %	
± 5 %				

Note
⁽¹⁾ For detailed tape specification refer to "Packaging Information" www.vishay.com/doc?28139 or end of catalog

SPECIFIC REFERENCE DATA

DESCRIPTION	VALUE
Rated AC voltage (U _{RAC})	300 V
Permissible DC voltage (U _{RDC})	1000 V
Tangent of loss angle	at 1 kHz at 10 kHz
C ≤ 470 nF	≤ 10 x 10 ⁻⁴ ≤ 20 x 10 ⁻⁴
Rated voltage pulse slope (dU/dt) _R at 420 V _{DC}	100 V/μs
R between leads, for C ≤ 0.33 μF at 100 V; 1 min	> 15 000 MΩ
RC between leads, for C > 0.33 μF at 100 V; 1 min	> 5000 s
R between leads and case; 100 V; 1 min	> 30 000 MΩ
Withstanding (DC) voltage (cut off current 10 mA); max. rise time 1000 V/s	3400 V; 1 min
Withstanding (AC) voltage between leads and case	2100 V; 1 min
Maximum application temperature	105 °C

Vishay BCcomponents Interference Suppression Film Capacitors MKP Radial Potted Type

$U_{Rac} = 300\text{ V}$; $C\text{-tol} = \pm 20\%$ ($U_{Rdc} = 1000\text{ V}$)

C (μF)	DIMENSIONS w x h x l (mm)	MASS (g) ⁽¹⁾	CATALOG NUMBER BFC2 338 6X XXX AND PACKAGING								
			LOOSE IN BOX					AMMOPACK		REEL	
			Short leads			Long leads		H = 18.5 mm; P ₀ = 12.7 mm	SPQ	REEL: Ø = 500 mm H = 18.5 mm; P ₀ = 12.7 mm	SPQ
			$l_t = 3.5\text{ mm} + 1\text{ mm}/ - 0.5\text{ mm}$	$l_t = 5.0\text{ mm} \pm 1.0\text{ mm}$	SPQ	$l_t = 25.0\text{ mm} \pm 2.0\text{ mm}$	SPQ				
Pitch = 7.5 mm ± 0.4 mm; d_t = 0.50 mm ± 0.05 mm											
0.001	4.0 x 9.0 x 10.0	0.4	60102	62102	1500	64102	1000	66102	1250	68129	2500
0.0012			60122	62122		64122		66122		68131	
0.0015			60152	62152		64152		66152		68132	
0.0018			60182	62182		64182		66182		68133	
0.0022			60222	62222		64222		66222		68134	
0.0027			60272	62272		64272		66272		68135	
0.0033	5.0 x 10.5 x 10.0	0.4	60332	62332	1000	64332	1250	66332	1000	68136	2000
0.0039			60392	62392		64392		66392		68137	
0.0047	6.0 x 11.5 v 10.0	0.8	60472	62472	750	64472	1000	66472	750	68138	1900
0.0056			60562	62562		64562		66562		68139	
Pitch = 10.0 mm ± 0.4 mm; d_t = 0.60 mm ± 0.06 mm											
0.001	4.0 x 10.0 x 12.5	0.6	68392	68401	1000	68409	1250			68418	1400
0.0012			68393	68402		68411				68419	
0.0015			68394	68403		68412				68421	
0.0018			68395	68404		68413				68422	
0.0022			68396	68405		68414				68423	
0.0027			68397	68406		68415				68424	
0.0033			68398	68407		68416				68425	
0.0039	68399	68408	68417	68426							
0.0047	5.0 x 11.0 x 12.5	0.82	68101	68106	1000	68112	1000			68141	1100
0.0056			68102	68107		68113				68142	
0.0068			68103	68108		68114				68143	
0.0082	6.0 x 12.0 x 12.5	1.1	68104	68109	750	68115	750			68144	900
0.01			68105	68111		68116				68145	

Note

- ⁽¹⁾ Weight for short lead product only
- SPQ = Standard Packing Quantity



Interference Suppression Film Capacitors Vishay BCcomponents
MKP Radial Potted Type

C (μ F)	DIMENSIONS w x h x l (mm)	MASS (g) ⁽¹⁾	CATALOG NUMBER BFC2 338 6X XXX AND PACKAGING								
			LOOSE IN BOX					AMMOPACK		REEL	
			Short leads			Long leads		H = 18.5 mm; P ₀ = 12.7 mm	SPQ	REEL:	
			l _t = 3.5 mm + 1 mm/ - 0.5 mm	l _t = 5.0 mm \pm 1.0 mm	SPQ	l _t = 25.0 mm \pm 2.0 mm	SPQ			\varnothing = 500 mm H = 18.5 mm; P ₀ = 12.7 mm	SPQ
Pitch = 15.0 mm \pm 0.4 mm; d_t = 0.60 mm \pm 0.06 mm											
0.0068	5.0 x 11.0 x 17.5	1.0	60682	62682	1000	64682	1000		68146	1100	
0.0082			60822	62822		64822			68147		
0.01			60103	62103		64103			68148		
0.012			60123	62123		64123			68149		
0.015	6.0 x 12.0 x 17.5	1.4	60153	62153	1000	64153	1000		68151	900	
0.018			60183	62183		64183			68152		
Pitch = 15.0 mm \pm 0.4 mm; d_t = 0.80 mm \pm 0.08 mm											
0.022	7.0 x 13.5 x 17.5	1.8	60223	62223	750	64223	500		68153	800	
0.027			60273	62273		64273			68154		
0.033	8.5 x 15.0 x 17.5	2.4	60333	62333	750	64333	500		68155	650	
0.039			60393	62393		64393			68156		
0.047	10.0 x 16.5 x 17.5	3.0	60473	62473	500	64473	450		68157	600	
0.056			60563	62563		64563			68158		
Pitch = 22.5 mm \pm 0.4 mm; d_t = 0.80 mm \pm 0.08 mm											
0.047	7.0 x 16.5 x 26.0	2.9	68123	68125	200	68127	250				
0.056			68124	68126		68128					
0.068	8.5 x 18.0 x 26.0	3.8	60683	62683	200	64683	250				
0.082			60823	62823		64823					
0.1	10.0 x 19.5 x 26.0	6.8	60104	62104	200	64104	200				
0.12	12.0 x 22.0 x 26.0	7.8	60124	62124	150	64124	200				
0.15			60154	62154		64154					
Pitch = 27.5 mm \pm 0.4 mm; d_t = 0.80 mm \pm 0.08 mm											
0.18	13.0 x 23.0 x 31.0	9.2	60184	62184	100	64184	125				
0.22			60224	62224		64224					
0.27	15.0 x 25.0 x 31.0	12.3	60274	62274	100	64274	125				
0.33	18.0 x 28.0 x 31.0	16.1	60334	62334	100	64334	100				
0.39			60394	62394		64394					
0.47	21.0 x 31.0 x 31.0	20.3	60474	62474	50	64474	75				

Note

⁽¹⁾ Weight for short lead product only

• SPQ = Standard Packing Quantity

Bent back pitch 7.5 mm

C (μ F)	DIMENSIONS w x h x l (mm)	MASS (g) ⁽¹⁾	CATALOG NUMBER BFC2 338 6X XXX AND PACKAGING								
			LOOSE IN BOX					AMMOPACK		REEL	
			Short leads			Long leads		H = 16 mm; P ₀ = 15 mm	SPQ	REEL:	
			l _t = 3.5 mm + 1 mm/ - 0.5 mm	l _t = 5.0 mm \pm 1.0 mm	SPQ	l _t = 25.0 mm \pm 2.0 mm	SPQ			\varnothing = 500 mm H = 16 mm; P ₀ = 15 mm	SPQ
Original pitch = 10.0 mm; bent back pitch = 7.5 mm \pm 0.4 mm; d_t = 0.60 mm \pm 0.06 mm											
0.001	4.0 x 12.0 x 12.5	0.6						68525	1300	68427	2000
0.0012								68526		68428	
0.0015								68527		68429	
0.0018								68528		68431	
0.0022								68529		68432	
0.0027								68531		68433	
0.0033								68532		68434	
0.0039								68533		68435	
0.0047	5.0 x 13.0 x 12.5	0.82						68534	1000	68117	1900
0.0056								68535		68118	
Original pitch = 15.0 mm; bent back pitch = 7.5 mm \pm 0.4 mm; d_t = 0.60 mm \pm 0.06 mm											
0.0068	5.0 x 13.0 x 17.5	1.1								66682	950
0.0082										66822	
0.01										66103	
0.012										66123	
0.015	6.0 x 14.0 x 17.5	1.4								66153	800
0.018										66183	
Original pitch = 15.0 mm; bent back pitch = 7.5 mm \pm 0.4 mm; d_t = 0.80 mm \pm 0.08 mm											
0.022	7.0 x 15.5 x 17.5	1.8								66223	700
0.027										66273	
0.033	8.5 x 17.0 x 17.5	2.4								66333	550
0.039										66393	
0.047	10.0 x 18.5 x 17.5	3.0								66473	500
0.056										66563	

Notes

⁽¹⁾ Reel diameter = 356 mm is available on request

⁽²⁾ Weight for short lead product only

• SPQ = Standard Packing Quantity



Interference Suppression Film Capacitors Vishay BCcomponents
MKP Radial Potted Type

U_{Rac} = 300 V; C-Tol = 10 % (U_{Rdc} = 1000 V)

C (µF)	DIMENSIONS w x h x l (mm)	MASS (g) ⁽¹⁾	CATALOG NUMBER BFC2 338 6X XXX AND PACKAGING								
			LOOSE IN BOX					AMMOPACK		REEL	
			Short leads			Long leads		H = 18.5 mm; P ₀ = 12.7 mm	SPQ	REEL: Ø = 500 mm H = 18.5 mm; P ₀ = 12.7 mm	SPQ
			l _t = 3.5 mm + 1 mm/ - 0.5 mm	l _t = 5.0 mm ± 1.0 mm	SPQ	l _t = 25.0 mm ± 2.0 mm	SPQ				
Pitch = 7.5 mm ± 0.4 mm; d_t = 0.50 mm ± 0.05 mm											
0.001	4.0 x 9.0 x 10.0	0.4	61102	63102	1500	65102	1000	67102	1250	68179	2500
0.0012			61122	63122		65122		67122		68181	
0.0015			61152	63152		65152		67152		68182	
0.0018			61182	63182		65182		67182		68183	
0.0022			61222	63222		65222		67222		68184	
0.0027			61272	63272		65272		67272		68185	
0.0033	5.0 x 10.5 x 10.0	0.4	61332	63332	1000	65332	1250	67332	1000	68186	2000
0.0039			61392	63392		65392		67392		68187	
0.0047	6.0 x 11.5 x 10.0	0.8	61472	63472	750	65472	1000	67472	750	68188	1900
0.0056			61562	63562		65562		67562		68189	
Pitch = 10.0 mm ± 0.4 mm; d_t = 0.60 mm ± 0.06 mm											
0.001	4.0 x 10.0 x 12.5	0.6	68436	68445	1000	68454	1250			68463	1400
0.0012			68437	68446		68455				68464	
0.0015			68438	68447		68456				68465	
0.0018			68439	68448		68457				68466	
0.0022			68441	68449		68458				68467	
0.0027			68442	68451		68459				68468	
0.0033			68443	68452		68461				68469	
0.0039			68444	68453		68462				68471	
0.0047	5.0 x 11.0 x 12.5	0.82	68159	68164	1000	68168	1000			68191	1100
0.0056			68161	68165		68169				68193	
0.0068	6.0 x 12.0 x 12.5	1.1	68162	68166	750	68171	750			68193	900
0.0082			68163	68167		68172				68194	

Note

- (1) Weight for short lead product only
- SPQ = Standard Packing Quantity

C (μ F)	DIMENSIONS w x h x l (mm)	MASS (g) ⁽¹⁾	CATALOG NUMBER BFC2 338 6X XXX AND PACKAGING								
			LOOSE IN BOX					AMMOPACK		REEL	
			Short leads			Long leads		H = 18.5 mm; P ₀ = 12.7 mm	SPQ	REEL: Ø = 500 mm H = 18.5 mm; P ₀ = 12.7 mm	SPQ
			l _t = 3.5 mm + 1 mm/ - 0.5 mm	l _t = 5.0 mm ± 1.0 mm	SPQ	l _t = 25.0 mm ± 2.0 mm	SPQ				
Pitch = 15.0 mm ± 0.4 mm; d_t = 0.60 mm ± 0.06 mm											
0.0068	5.0 x 11.0 x 17.5	1	61682	63682	1000	65682	1000		68202	1100	
0.0082			61822	63822		65822			68203		
0.01			61103	63103		65103			68204		
0.012			61123	63123		65123			68205		
0.015	6.0 x 12.0 x 17.5	1.4	61153	63153		65153			68206	900	
0.018			61183	63183		65183			68207		
Pitch = 15.0 mm ± 0.4 mm; d_t = 0.80 mm ± 0.08 mm											
0.022	7.0 x 13.5 x 17.5	1.8	61223	63223	750	65223	500		68208	800	
0.027	8.5 x 15.0 x 17.5	2.4	61273	63273		65273			68209	650	
0.033			61333	63333	65333	68211					
0.039	10.0 x 16.5 x 17.5	3	61393	63393	500	65393	450		68212	600	
0.047			61473	63473		65473			68213		
Pitch = 22.5 mm ± 0.4 mm; d_t = 0.80 mm ± 0.08 mm											
0.047	7.0 x 16.5 x 26.0	2.9	68173	68175	200	68177	250				
0.056	8.5 x 18.0 x 26.0	3.8	68174	68176		68178					
0.068			61683	63683	65683						
0.082	10.0 x 19.5 x 26.0	6.8	61823	63823		65823	200				
0.1			61104	63104		65104					
0.12	12.0 x 22.0 x 26.0	7.8	61124	63124	150	65124	200				
0.15			61154	63154		65154					
Pitch = 27.5 mm ± 0.4 mm; d_t = 0.80 mm ± 0.08 mm											
0.18	13.0 x 23.0 x 31.0	9.2	61184	63184	100	65184	125				
0.22	15.0 x 25.0 x 31.0	12.3	61224	63224		65224					
0.27	18.0 x 28.0 x 31.0	16.1	61274	63274		65274	100				
0.33			61334	63334		65334					
0.39	21.0 x 31.0 x 31.0	20.3	61394	63394	50	65394	75				
0.47			61474	63474		65474					

Note

- ⁽¹⁾ Weight for short lead product only
- SPQ = Standard Packing Quantity



Bent back pitch 7.5 mm

C (μ F)	DIMENSIONS w x h x l (mm)	MASS (g) ⁽¹⁾	CATALOG NUMBER BFC2 338 6X XXX AND PACKAGING								
			LOOSE IN BOX					AMMOPACK		REEL	
			Short leads			Long leads		H = 16 mm; P ₀ = 15 mm	SPQ	REEL:	
			$l_t = 3.5 \text{ mm} + 1 \text{ mm} / - 0.5 \text{ mm}$	$l_t = 5.0 \text{ mm} \pm 1.0 \text{ mm}$	SPQ	$l_t = 25.0 \text{ mm} \pm 2.0 \text{ mm}$	SPQ			$\varnothing = 500 \text{ mm}$ H = 16 mm; P ₀ = 15 mm	SPQ
Original pitch = 10.0 mm; bent back pitch = 7.5 mm \pm 0.4 mm; d_t = 0.60 mm \pm 0.06 mm											
0.001 0.0012 0.0015 0.0018 0.0022 0.0027 0.0033 0.0039	4.0 x 12.0 x 12.5	0.6					68539 68541 68542 68543 68544 68545 68546 68547	1300	68472 68473 68474 68475 68476 68477 68478 68479	2000	
0.0047 0.0056	5.0 x 13.0 x 12.5	1.1					68548 68549	1000	68196 68197	1900	
Original pitch = 15.0 mm; bent back pitch = 7.5 mm \pm 0.4 mm; d_t = 0.60 mm \pm 0.06 mm											
0.0068 0.0082 0.01 0.012	5.0 x 13.0 x 17.5	1.0							67682 67822 67103 67123	950	
0.015 0.018	6.0 x 14.0 x 17.5	1.4							67153 67183	800	
Original pitch = 15.0 mm; bent back pitch = 7.5 mm \pm 0.4 mm; d_t = 0.80 mm \pm 0.08 mm											
0.022 0.027 0.033	7.0 x 15.5 x 17.5 8.5 x 17.0 x 17.5	1.8 2.4							67223 67273 67333	700 550	
0.039 0.047	10.0 x 18.5 x 17.5	3.0							67393 67473	500	

Notes

- (1) Reel diameter = 356 mm is available on request
- (2) Weight for short lead product only
- SPQ = Standard Packing Quantity

Vishay BCcomponents Interference Suppression Film Capacitors MKP Radial Potted Type

$U_{Rac} = 300 V$; $C\text{-tol} = 5\%$ ($U_{Rdc} = 1000 V$)

C (μF)	DIMENSIONS w x h x l (mm)	MASS (g) ⁽¹⁾	CATALOG NUMBER BFC2 338 6X XXX AND PACKAGING								
			LOOSE IN BOX					AMMOPACK		REEL	
			Short leads			Long leads		H = 18.5 mm; P ₀ = 12.7 mm	SPQ	REEL: Ø = 500 mm H = 18.5 mm; P ₀ = 12.7 mm	SPQ
			l _t = 3.5 mm + 1 mm/ - 0.5 mm	l _t = 5.0 mm ± 1.0 mm	SPQ	l _t = 25.0 mm ± 2.0 mm	SPQ				
Pitch = 7.5 mm ± 0.4 mm; d_t = 0.50 mm ± 0.05 mm											
0.001	4.0 x 9.0 x 10.0	0.4	68215	68225	1500	68235	1000	68335	1250	68346	2500
0.0012			68216	68226		68236		68336		68347	
0.0015			68217	68227		68237		68337		68348	
0.0018			68218	68228		68238		68338		68349	
0.0022			68219	68229		68239		68339		68351	
0.0027	5.0 x 10.5 x 10.0	0.4	68221	68231	1000	68241	1250	68341	1000	68352	2000
0.0033			68222	68232		68242		68342		68353	
0.0039	6.0 x 11.5 x 10.0	0.8	68223	68233	750	68243	1000	68343	750	68354	1900
0.0047			68224	68234		68244		68344		68355	
Pitch = 10.0 mm ± 0.4 mm; d_t = 0.60 mm ± 0.06 mm											
0.001	4.0 x 10.0 x 12.5	0.6	68481	68489	1000	68498	1250			68507	1400
0.0012			68482	68491		68499				68508	
0.0015			68483	68492		68501				68509	
0.0018			68484	68493		68502				68511	
0.0022			68485	68494		68503				68512	
0.0027			68486	68495		68504				68513	
0.0033			68487	68496		68505				68514	
0.0039			68488	68497		68506				68515	
0.0047	5.0 x 11.0 x 12.5	0.82	68245	68249	1000	68254	1000			68357	1100
0.0056			68246	68251		68255				68358	
0.0068	6.0 x 12.0 x 12.5	1.1	68247	68252	750	68256	750			68359	900
0.0082			68248	68253		68257				68361	

Note

⁽¹⁾ Weight for short lead product only
• SPQ = Standard Packing Quantity



Interference Suppression Film Capacitors Vishay BCcomponents
MKP Radial Potted Type

C (μ F)	DIMENSIONS w x h x l (mm)	MASS (g) ⁽¹⁾	CATALOG NUMBER BFC2 338 6X XXX AND PACKAGING								
			LOOSE IN BOX					AMMOPACK		REEL	
			Short leads			Long leads		H = 18.5 mm; P ₀ = 12.7 mm	SPQ	REEL: Ø = 500 mm H = 18.5 mm; P ₀ = 12.7 mm	SPQ
			l _t = 3.5 mm + 1 mm/ - 0.5 mm	l _t = 5.0 mm ± 1.0 mm	SPQ	l _t = 25.0 mm ± 2.0 mm	SPQ				
Pitch = 15.0 mm ± 0.4 mm; d_t = 0.60 mm ± 0.06 mm											
0.0068	5.0 x 11.0 x 17.5	1.0	68258	68284	1000	68309	1000		68381	1100	
0.0082			68259	68285		68311			68382		
0.01			68261	68286		68312			68383		
0.012	6.0 x 12.0 x 17.5	1.4	68262	68287		68313			68384	900	
0.015			68263	68288		68314			68385		
Pitch = 15.0 mm ± 0.4 mm; d_t = 0.80 mm ± 0.08 mm											
0.018	7.0 x 13.5 x 17.5	1.8	68264	68289	750	68315	500		68386	800	
0.022			68265	68291		68316			68387		
0.027	8.5 x 15.0 x 17.5	2.4	68266	68292		68317			68388	650	
0.033			68267	68293		68318			68389		
0.039	10.0 x 16.5 x 17.5	3.0	68268	68294	500	68319	450		68391	600	
Pitch = 22.5 mm ± 0.4 mm; d_t = 0.80 mm ± 0.08 mm											
0.047	7.0 x 16.5 x 26.0	2.9	68269	68295	200	68321	250				
0.056	8.5 x 18.0 x 26.0	3.8	68271	68296		68322					
0.068			68272	68297		68323					
0.082	10.0 x 19.5 x 26.0	6.8	68273	68298	150	68324	200				
0.1	12.0 x 22.0 x 26.0	7.8	68274	68299		68325					
0.12			68275	68301		68326					
Pitch = 27.5 mm ± 0.4 mm; d_t = 0.80 mm ± 0.08 mm											
0.15	13.0 x 23.0 x 31.0	9.2	68276	68302	100	68327	125				
0.18			68277	68303		68328					
0.22	15.0 x 25.0 x 31.0	12.3	68278	68304		68329					
0.27	18.0 x 28.0 x 31.0	16.1	68279	68305		68331	100				
0.33			68281	68306		68332					
0.39	21.0 x 31.0 x 31.0	20.3	68282	68307	50	68333	75				

Notes

- (1) Weight for short lead product only
- SPQ = Standard Packing Quantity

Bent back pitch = 7.5 mm

C (μ F)	DIMENSIONS w x h x l (mm)	MASS (g) ⁽¹⁾	CATALOG NUMBER BFC2 338 6X XXX AND PACKAGING								
			LOOSE IN BOX					AMMOPACK		REEL	
			Short leads			Long leads		H = 16 mm; P ₀ = 15 mm	SPQ	REEL:	
			l _t = 3.5 mm + 1 mm/ - 0.5 mm	l _t = 5.0 mm ± 1.0 mm	SPQ	l _t = 25.0 mm ± 2.0 mm	SPQ			Ø = 500 mm H = 16 mm; P ₀ = 15 mm	SPQ
Original pitch = 10.0 mm; bent back pitch = 7.5 mm ± 0.4 mm; d_t = 0.60 mm ± 0.06 mm											
0.001	4.0 x 12.0 x 12.5	0.6						68553	1300	68516	2000
0.0012								68554		68517	
0.0015								68555		68518	
0.0018								68556		68519	
0.0022								68557		68521	
0.0027								68558		68522	
0.0033								68559		68523	
0.0039								68561		68524	
0.0047	5.0 x 13.0 x 12.5	0.82						68562	1000	68363	1900
0.0056								68563		68364	
Original pitch = 15.0 mm; bent back pitch = 7.5 mm ± 0.4 mm; d_t = 0.60 mm ± 0.06 mm											
0.0068	5.0 x 13.0 x 17.5	1.1								68368	950
0.0082										68369	
0.01										68371	
0.012	6.0 x 14.0 x 17.5	1.4								68372	800
0.015										68373	
Original pitch = 15.0 mm; bent back pitch = 7.5 mm ± 0.4 mm; d_t = 0.80 mm ± 0.08 mm											
0.018	7.0 x 15.5 x 17.5	1.8								68374	700
0.022										68375	
0.027	8.5 x 17.0 x 17.5	2.4								68376	550
0.033										68377	
0.039	10.0 x 18.5 x 17.5	3								68378	500

Notes

⁽¹⁾ Reel diameter = 356 mm is available on request

⁽²⁾ Weight for short lead product only

• SPQ = Standard Packing Quantity

APPROVALS

SAFETY APPROVALS Y2	VOLTAGE	VALUE	FILE NUMBERS
EN 60384-14 (ENEC) (= IEC 60384-14 ed-3)	300 V _{AC}	1 nF to 470 nF	FI 2008062 A1
UL1414 and CSA-C22.2 No 1 antenna coupling	250 V _{AC}	1 nF to 470 nF	E112471
UL1283	300 V _{AC}	1 nF to 470 nF	E109565
CSA-E384-14-95	300 V _{AC}	1 nF to 470 nF	1377022
CB-Test Certificate	300 V _{AC}	1 nF to 470 nF	FI 5265 A1

The EneC-approval together with the CB-Certificate replace all national marks of the following countries (they have already signed the ENEC-Agreement): Austria; Belgium; Czech. Republic; Denmark; Finland; France; Germany; Greece; Hungary; Ireland; Italy; Luxembourg; Netherlands; Norway; Portugal; Slovenian; Spain; Switzerland and United Kingdom.


MOUNTING
Normal Use

The capacitors are designed for mounting on printed-circuit boards. The capacitors packed in bandoliers are designed for mounting in printed circuit boards by means of automatic insertion machines.

For detailed tape specifications refer to Packaging Information: www.vishay.com/doc?28139

Specific Method of Mounting to Withstand Vibration and Shock

In order to withstand vibration and shock tests, it must be ensured that the stand-off pips are in good contact with the printed-circuit board:

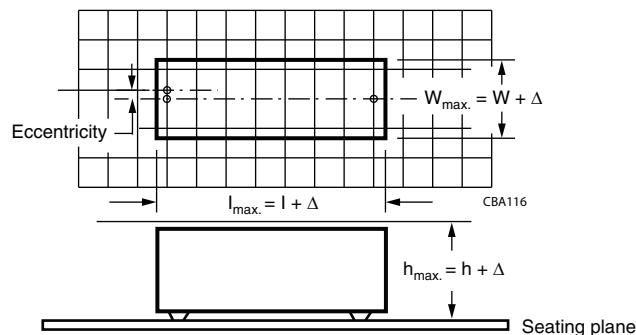
- For pitches ≤ 15 mm capacitors shall be mechanically fixed by the leads
- For larger pitches the capacitors shall be mounted in the same way and the body clamped

Space Requirements on Printed Circuit-Board

The maximum space for length ($l_{max.}$), width ($W_{max.}$), and height ($h_{max.}$) of film capacitors to take in account on the printed circuit board is shown in the drawings:

- For products with pitch ≤ 15 mm, $\Delta = 0.3$ mm
- For products with 15 mm < pitch ≤ 27.5 mm, $\Delta = 0.5$ mm
- For products with pitch = 37.5 mm, $\Delta = 0.7$ mm
- For products with pitch = 52.5 mm, $\Delta = 1.0$ mm

Eccentricity defined as in drawing. The maximum eccentricity is smaller than or equal to the lead diameter of the product concerned.


Storage Temperature

- Storage temperature: $T_{stg} = -25$ °C to $+40$ °C with RH maximum 80 % without condensation

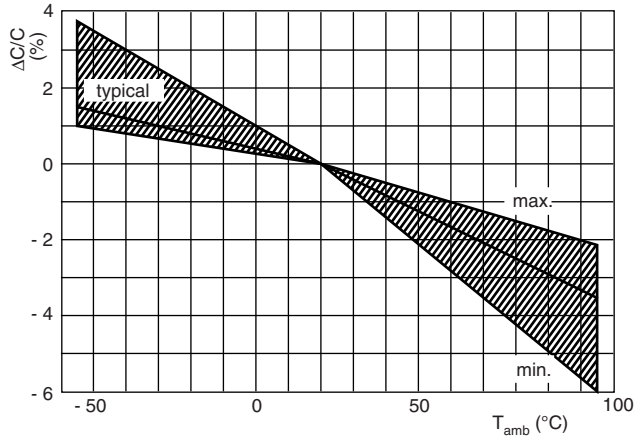
Ratings and Characteristics Reference Conditions

Unless otherwise specified, all electrical values apply to an ambient free air temperature of 23 °C ± 1 °C, an atmospheric pressure of 86 kPa to 106 kPa and a relative humidity of 50 % ± 2 %.

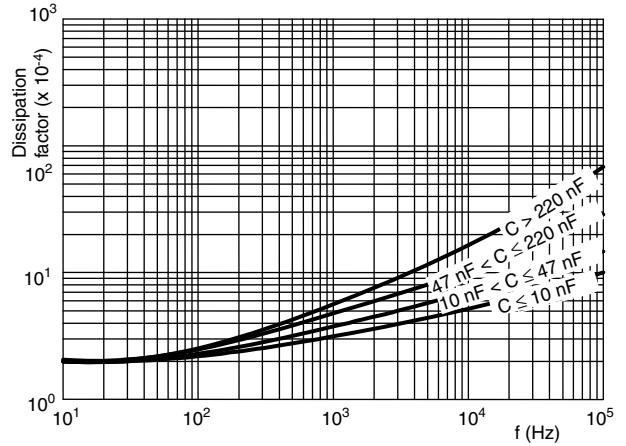
For reference testing, a conditioning period shall be applied over 96 h ± 4 h by heating the products in a circulating air oven at the rated temperature and a relative humidity not exceeding 20 %.

CHARACTERISTICS

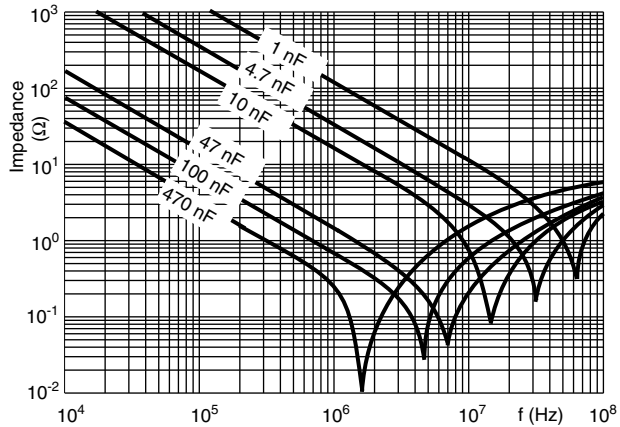
Capacitance as a function of ambient temperature
(typical curve)



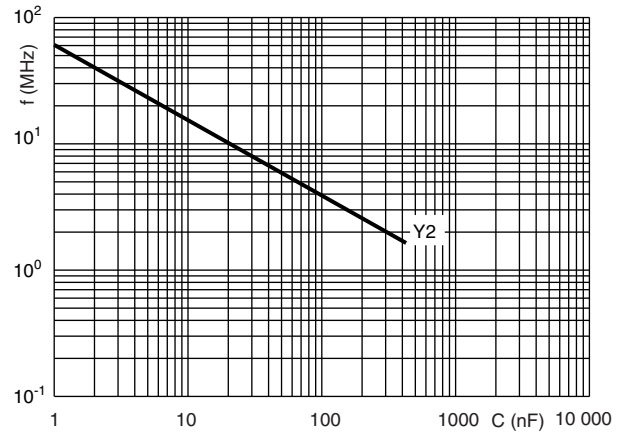
Tangent of loss angle as a function of frequency (typical curve)



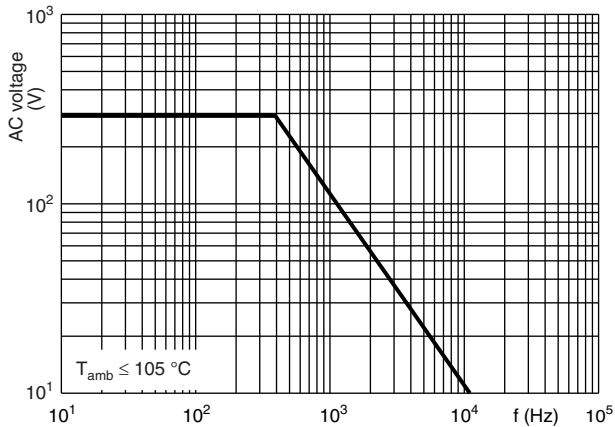
Impedance as a function of frequency (typical curve)



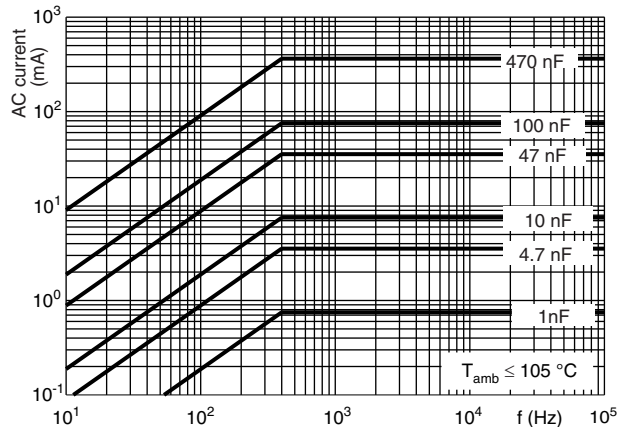
Resonant frequency as a function of capacitance (typical curve)



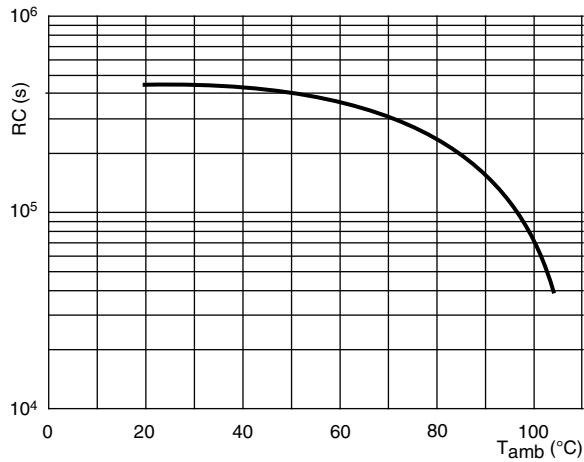
Max. RMS voltage as a function of frequency



Max. RMS current as a function of frequency



Insulation resistance as a function of ambient temperature



APPLICATION NOTES

- For Y2 electromagnetic interference suppression in, **standard line bypass applications (between line and ground)** (50 Hz/60 Hz) with a maximum mains voltage of 300 V_{AC}
- For series impedance applications we refer to Application Note www.vishay.com/doc?28153
- These capacitors are not intended for continuous pulse applications. For these situations, capacitors of the AC and pulse programs must be used.
- The maximum ambient temperature must not exceed 105 °C
- Rated voltage pulse slope:
If the pulse voltage is lower than the rated voltage, the values of the specific reference data can be multiplied by 420 V_{DC} and divided by the applied voltage.

INSPECTION REQUIREMENTS

General Notes:

- Sub-clause numbers of tests and performance requirements refer to the "Sectional Specification, Publication IEC 60384-14 ed-3 and Specific Reference Data.

Group C Inspection Requirements

SUB-CLAUSE NUMBER AND TEST	CONDITIONS	PERFORMANCE REQUIREMENTS
SUB-GROUP C1A PART OF SAMPLE OF SUB-GROUP C1		
4.1 Dimensions (detail)		As specified in Chapters "General data" of this specification
Initial measurements	Capacitance Tangent of loss angle: at 10 kHz	
4.3 Robustness of terminations	Tensile: load 10 N; 10 s Bending: load 5 N; 4 x 90°	No visible damage
4.4 Resistance to soldering heat	No pre-drying Method: 1A Solder bath: 280 °C ± 5 °C Duration: 10 s	
4.19 Component solvent resistance	Isopropylalcohol at room temperature Method: 2 Immersion time: 5 min ± 0.5 min Recovery time: Min. 1 h, max. 2 h	
4.4.2 Final measurements	Visual examination	No visible damage Legible marking
	Capacitance	$ \Delta C/C \leq 5\%$ of the value measured initially
	Tangent of loss angle	Increase of $\tan \delta \leq 0.008$ Compared to values measured initially
	Insulation resistance	As specified in Section "Insulation Resistance" of this specification



SUB-CLAUSE NUMBER AND TEST	CONDITIONS	PERFORMANCE REQUIREMENTS
SUB-GROUP C1B PART OF SAMPLE OF SUB-GROUP C1		
Initial measurements	Capacitance Tangent of loss angle: at 10 kHz	
4.20 Solvent resistance of the marking:	Isopropylalcohol at room temperature Method: 1 Rubbing material: cotton wool Immersion time: 5 min ± 0.5 min	No visible damage Legible marking
4.6 Rapid change of temperature	θA = - 55 °C θB = + 105 °C 5 cycles Duration t = 30 min	
4.6.1 Inspection	Visual examination	No visible damage
4.7 Vibration	Mounting: see Section “Mounting” of this specification Procedure B4: Frequency range: 10 Hz to 55 Hz Amplitude: 0.75 mm or Acceleration 98 m/s ² (whichever is less severe) Total duration 6 h	
4.7.2 Final inspection	Visual examination	No visible damage
4.9 Shock	Mounting: see Section “Mounting” for more information Pulse shape: half sine Acceleration: 490 m/s ² Duration of pulse: 11 ms	
4.9.2 Final measurements	Visual examination Capacitance Tangent of loss angle Insulation resistance	No visible damage $ \Delta C/C \leq 5\%$ of the value measured initially Increase of $\tan \delta \leq 0.008$ Compared to values measured initially As specified in Section “Insulation Resistance” of this specification

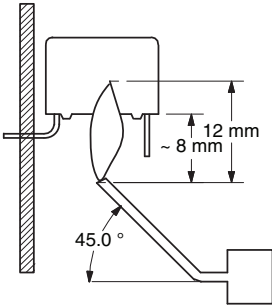
Vishay BCcomponents Interference Suppression Film Capacitors
MKP Radial Potted Type

SUB-CLAUSE NUMBER AND TEST	CONDITIONS	PERFORMANCE REQUIREMENTS
SUB-GROUP C1 COMBINED SAMPLE OF SPECIMENS OF SUB-GROUPS C1A AND C1B		
4.11 Climatic sequence 4.11.1 Initial measurements 4.11.2 Dry heat 4.11.3 Damp heat cyclic Test Db First cycle 4.11.4 Cold 4.11.5 Damp heat cyclic Test Db remaining cycles 4.11.6 Final measurements	Capacitance Measured in 4.4.2 and 4.9.2 Tangent of loss angle: Measured initially in C1A and C1B Temperature: 105 °C Duration: 16 h Temperature: - 55 °C Duration: 2 h Visual examination Capacitance Tangent of loss angle Voltage proof 2250 V _{DC} ; 1 min between terminations Insulation resistance	No visible damage Legible marking $ \Delta C/C \leq 5\%$ of the value measured in 4.11.1. Increase of $\tan \delta \leq 0.008$ Compared to values measured in 4.11.1 No permanent breakdown or flash-over $\geq 50\%$ of values specified in Section "Insulation resistance" of this specification
SUB-GROUP C2		
4.12 Damp heat steady state 4.12.1 Initial measurements 4.12.3 Final measurements	56 days, 40 °C, 90 % to 95 % RH, no load Capacitance Tangent of loss angle at 1 kHz Visual examination Capacitance Tangent of loss angle Voltage proof 2250 V _{DC} ; 1 min between terminations Insulation resistance	No visible damage Legible marking $ \Delta C/C \leq 5\%$ of the value measured in 4.12.1. Increase of $\tan \delta \leq 0.007$ Compared to values measured in 4.12.1. No permanent breakdown or flash-over $\geq 50\%$ of values specified in Section "Insulation resistance" of this specification



Interference Suppression Film Capacitors Vishay BCcomponents
MKP Radial Potted Type

SUB-CLAUSE NUMBER AND TEST	CONDITIONS	PERFORMANCE REQUIREMENTS
SUB-GROUP C3		
4.13.1 Initial measurements 4.13 Impulse voltage 4.14 Endurance 4.14.7 Final measurements	Capacitance Tangent of loss angle: at 10 kHz 3 successive impulses, full wave, peak voltage: X1: 5 kV Max. 24 pulses Duration: 1000 h 1.7 x U _{RAC} at 105 °C Once in every hour the voltage is increased to 1000 V _{RMS} for 0.1 s via resistor of 47 Ω ± 5 % Visual examination Capacitance Tangent of loss angle Voltage proof 2250 V _{DC} ; 1 min between terminations 2100 V _{AC} ; 1 min between terminations and case Insulation resistance	No selfhealing breakdowns or flash-over No visible damage Legible marking $ \Delta C/C \leq 10\%$ compared to values measured in 4.13.1. Increase of $\tan \delta \leq 0.008$ Compared to values measured in 4.13.1. No permanent breakdown or flash-over $\geq 50\%$ of values specified in Section "Insulation resistance" of this specification
SUB-GROUP C4		
4.15 Charge and discharge 4.15.1 Initial measurements 4.15.3 Final measurements	10 000 cycles charged to 420 V _{DC} Discharge resistance: $R = \frac{420 \text{ Vdc}}{1.5 \times C (dU/dt)}$ Capacitance Tangent of loss angle: at 10 kHz Capacitance Tangent of loss angle Insulation resistance	No selfhealing breakdowns or flash-over $ \Delta C/C \leq 10\%$ compared to values measured in 4.15.1. Increase of $\tan \delta \leq 0.008$ Compared to values measured in 4.15.1. $\geq 50\%$ of values specified in Section "Insulation resistance" of this specification

SUB-CLAUSE NUMBER AND TEST	CONDITIONS	PERFORMANCE REQUIREMENTS
SUB-GROUP C5		
4.16 Radio frequency characteristic	Resonance frequency	≥ 0.9 times the value as specified in section "Resonant frequency" of this specification
SUB-GROUP C6		
4.17 Passive flammability Class B	<p>Bore of gas jet: \varnothing 0.5 mm Fuel: butane Test duration for actual volume V in mm³: V ≤ 250: 10 s 250 < V ≤ 500: 20 s 500 < V ≤ 1750: 30 s V > 1750: 60 s One flame application</p> 	After removing test flame from capacitor, the capacitor must not continue to burn for more than 10 s. No burning particle must drop from the sample.
SUB-GROUP C7		
4.18 Active flammability	20 cycles of 5 kV discharges on the test capacitor connected to U _{RAC}	The cheese cloth around the capacitors shall not burn with a flame. No electrical measurements are required.



Disclaimer

All product specifications and data are subject to change without notice.

Vishay Intertechnology, Inc., its affiliates, agents, and employees, and all persons acting on its or their behalf (collectively, "Vishay"), disclaim any and all liability for any errors, inaccuracies or incompleteness contained herein or in any other disclosure relating to any product.

Vishay disclaims any and all liability arising out of the use or application of any product described herein or of any information provided herein to the maximum extent permitted by law. The product specifications do not expand or otherwise modify Vishay's terms and conditions of purchase, including but not limited to the warranty expressed therein, which apply to these products.

No license, express or implied, by estoppel or otherwise, to any intellectual property rights is granted by this document or by any conduct of Vishay.

The products shown herein are not designed for use in medical, life-saving, or life-sustaining applications unless otherwise expressly indicated. Customers using or selling Vishay products not expressly indicated for use in such applications do so entirely at their own risk and agree to fully indemnify Vishay for any damages arising or resulting from such use or sale. Please contact authorized Vishay personnel to obtain written terms and conditions regarding products designed for such applications.

Product names and markings noted herein may be trademarks of their respective owners.