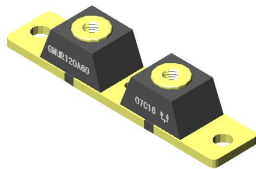


Ultrafast Recovery Modules

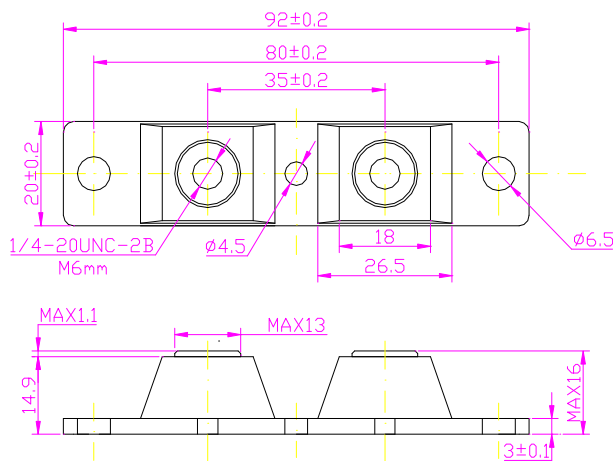
Reverse Voltage 600V
Forward Current 200A



Case Style: Twin Tower

Features

- Plastic package has Underwriters Laboratory Flammability Classification 94V-0
- Glass passivated chip junction
- Transfer molding



Dimensions in millimeters

Mechanical Data

- Case:** Twin Tower Molded plastic body
- Terminals:** Ni plated leads and base

Typical Applications

General purpose use in ac-to-dc rectification for Power Supply, Electric Welding, industrial automation applications

Maximum Ratings & Electrical Characteristics

Ratings at 25 °C ambient temperature unless otherwise specified.

Parameter	Symbol	MTT200A60CU	Unit
Maximum repetitive peak reverse voltage	V_{RRM}	600	V
Maximum average forward rectified (TC=104 °C)	$I_{F(AV)}$	2x100	A
Peak forward surge current single sine-wave superimposed on rated load (JEDEC Method) 1 cycle, 60Hz, peak, value, non-repetitive	I_{FSM}	1000	A
Maximum instantaneous forward voltage drop per leg at 100A	V_F	1.35	V
Maximum DC reverse current at $T_a=25$ °C	I_R	300	μA
rated DC blocking voltage per leg (600v) $T_a=125$ °C		5000	
Reverse Recovery time (1/2A, 1A, 1/4A, $T_J=25$ °C)	T_{rr}	110	ns
Max thermal resistance per leg	$R_{\theta jc}$	0.68	/W
Operating junction temperature range	T_J	-55 to +175	
Storage temperature range	T_{STG}	-55 to +175	