

47 μ F AC-Coupling Capacitor 3-Input 1-Output Video Driver with LPF

■ GENERAL DESCRIPTION

The **NJM41050** is a 3-Input 1-Output general-purpose video switch. It includes 6dB amplifier and 75ohm driver circuit. The NJRC original Technology "ASC(Advanced SAG Correction)" realizes 47 μ F AC-Coupling Capacitor which enables to downsize mounting space.

■ PACKAGE OUTLINE

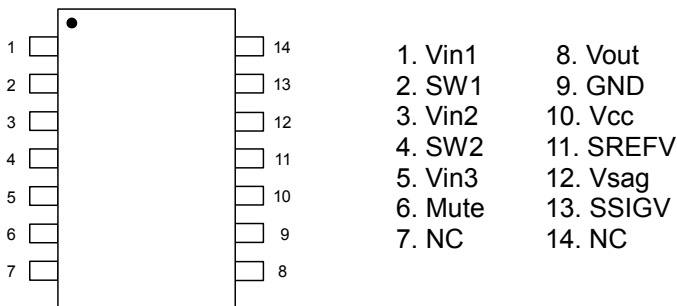


NJM41050V

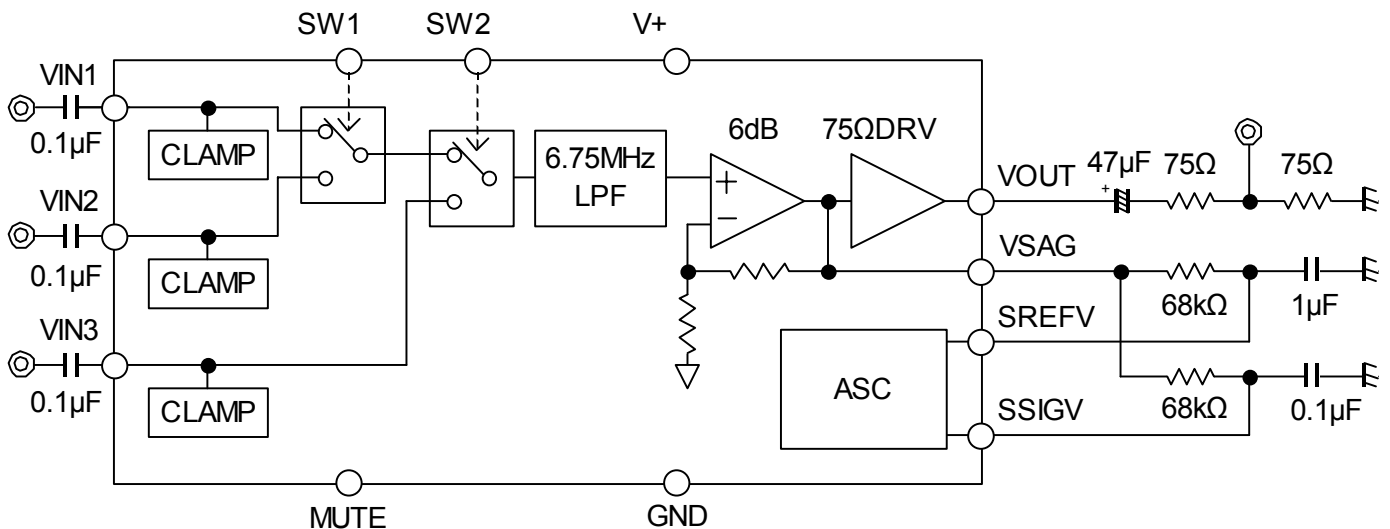
■ FEATURES

- Operating Voltage 4.5 to 9.5V
 - Small output coupling capacitor 47 μ F
 - Operating temperature range -40 to +85 °C*
 - 3-Input 1-Output Video Switch
 - 6dB Amplifier, 75 Ω Driver Circuit
 - Internal LPF 0dBtyp.at 6.75MHz
-40dBtyp.at 27MHz
 - Internal MUTE Circuit
 - Bipolar Technology
 - Package SSOP14
- * NJM41050VT : Wide operating temperature range type (-40 to +105°C)

■ PIN CONFIGURATION



■ BLOCK DIAGRAM



NJM41050

■ ABSOLUTE MAXIMUM RATINGS (Ta=25°C)

PARAMETERS	SYMBOL	RATINGS	UNIT
Supply Voltage	V+	13.0	V
Power Dissipation	P _D	500 (Note1)	mW
Operating Temperature Range	Topr	-40 to +85(Note2)	°C
Storage Temperature Range	Tstg	-40 to +150	°C

(Note 1) At on a board of EIA/JEDEC specification. (114.3 x 76.2 x 1.6mm 2 layers, FR-4)

(Note 2) It has high operating temperature range product.(-40 to +105°C)

■ RECOMMENDED OPERATING CONDITION (Ta= 25 °C)

PARAMETER	SYMBOL	TEST CONDITION	MIN.	TYP.	MAX.	UNIT
Operating Voltage	Vopr		+4.5	+5.0	+9.5	V

■ ELECTRICAL CHARACTERISTICS (V_{CC}= 5.0V, R_L= 150Ω, Ta= 25°C)

PARAMETER	SYMBOL	TEST CONDITION	MIN.	TYP.	MAX.	UNIT
Supply Current	I _{CC}	No signal	-	15	22	mA
Supply Current at MUTE Mode	I _{save}	MUTE mode	-	1.5	2.4	mA
Voltage Gain	G _v	Vin=1MHz, 1.0Vp-p sin-signal	5.5	6.0	6.5	dB
Maximum Output Level	V _{om}	Vin=100kHz, sin-signal, THD=1%,	2.2	-	-	Vp-p
Low Pass Filter Characteristic	Gf6.75M	Vin=6.75MHz/1MHz, 1.0Vpp sin-signal	-1.0	0	+1.0	dB
	Gf27 M	Vin=27MHz/1MHz, 1.0Vpp sin-signal	-	-40	-24	dB
Channel Cross talk	CT	Vin=4.43MHz, 1.0Vp-p, Sine-wave	-	-80		dB
Differential Gain	DG	Vin=1.0Vp-p 10step video signal	-	0.5	-	%
Differential Phase	DP	Vin=1.0Vp-p 10step video signal	-	0.5	-	deg
SW Sink Current High Level	I _{thH}	V=5V	-	-	300	μA
SW Sink Current Low Level	I _{thL}	V=0.3V	-	-	5	μA
SW Voltage High Level	V _{thH}	SW1,SW2,MUTE	2.0	-	V ⁺	V
SW Voltage Low Level	V _{thL}	SW1,SW2,MUTE	0	-	1.0	V

■ SWITCH FUNCTION

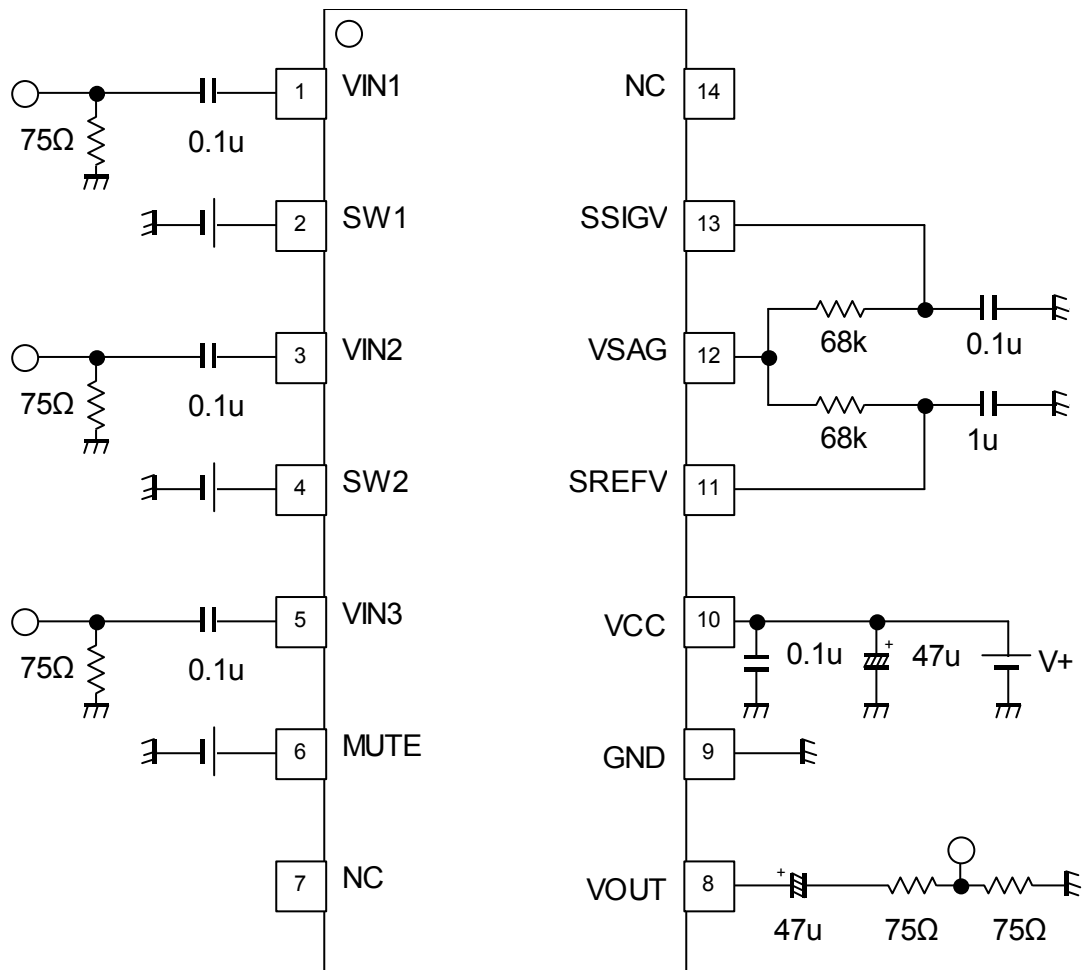
PIN	MODE	NOTE
SW1	H	IN2 output
	L	IN1 output
	OPEN	IN1 output

PIN	MODE	NOTE
SW2	H	IN3 output
	L	IN1 or IN2 output
	OPEN	IN1 or IN2 output

PIN	MODE	NOTE
MUTE	H	ACTIVE
	L	MUTE
	OPEN	MUTE

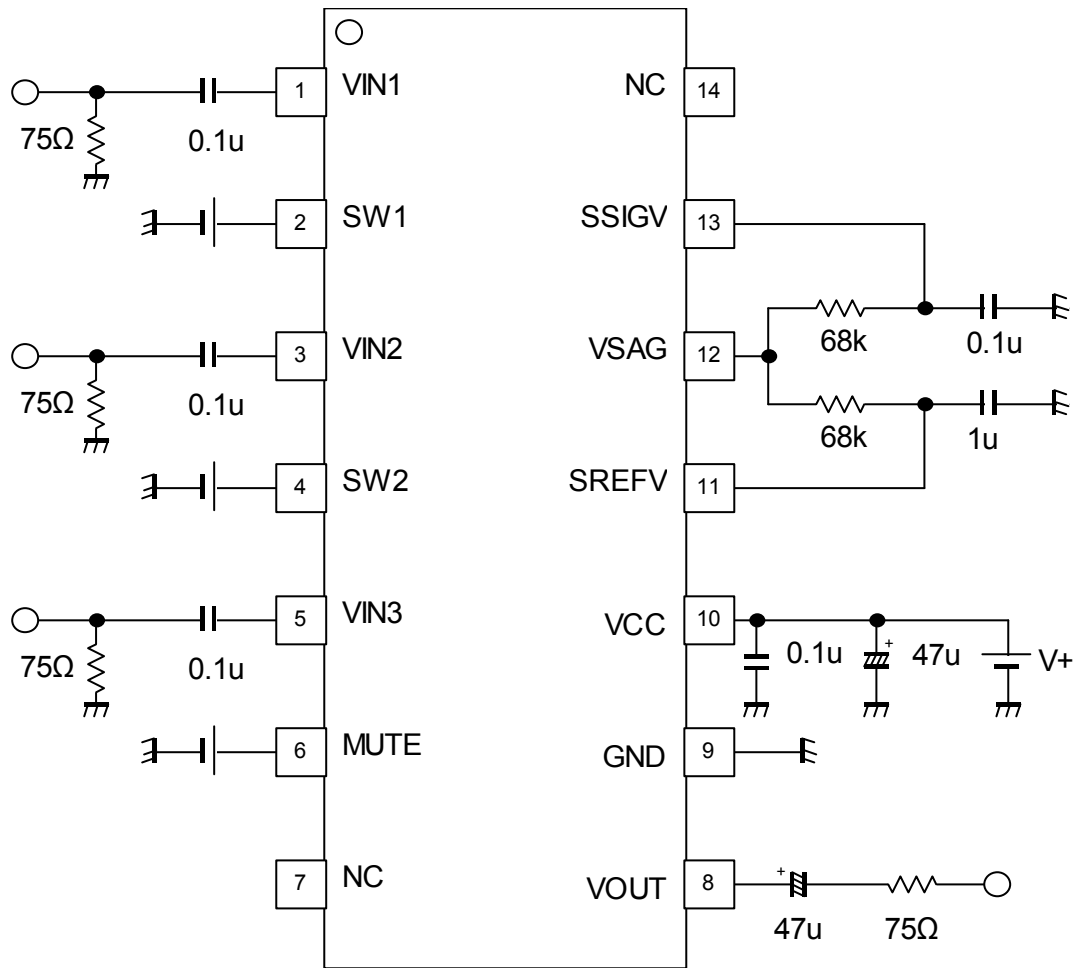
	SW1	SW2	MUTE
IN1 select	L(OPEN)	L(OPEN)	H
IN2 select	H	L(OPEN)	H
IN3 select	-	H	H
MUTE	-	-	L(OPEN)

■ TEST CIRCUIT

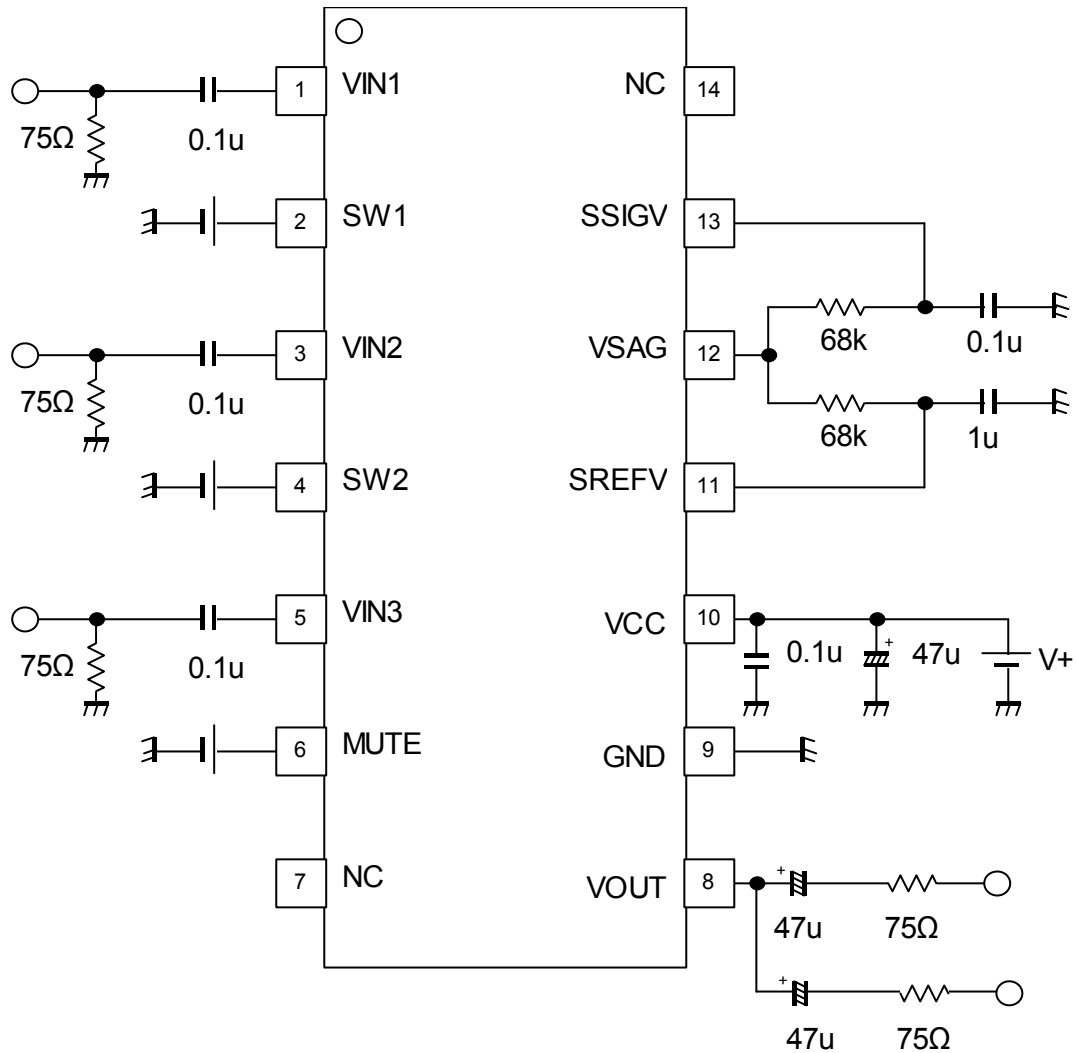


NJM41050

APPLICATION CIRCUIT 1



APPLICATION CIRCUIT 2



[CAUTION]

The specifications on this databook are only given for information, without any guarantee as regards either mistakes or omissions. The application circuits in this databook are described only to show representative usages of the product and not intended for the guarantee or permission of any right including the industrial rights.