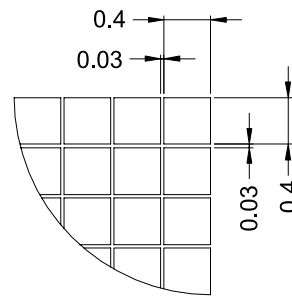
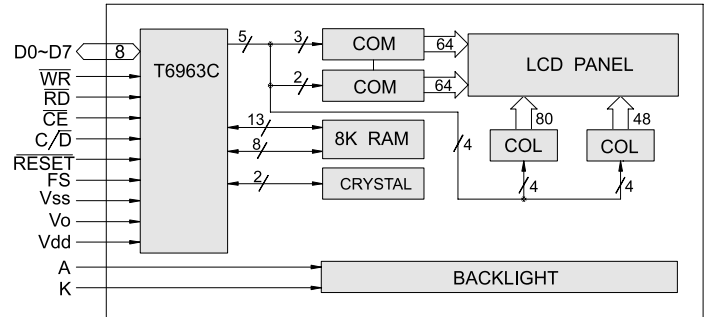
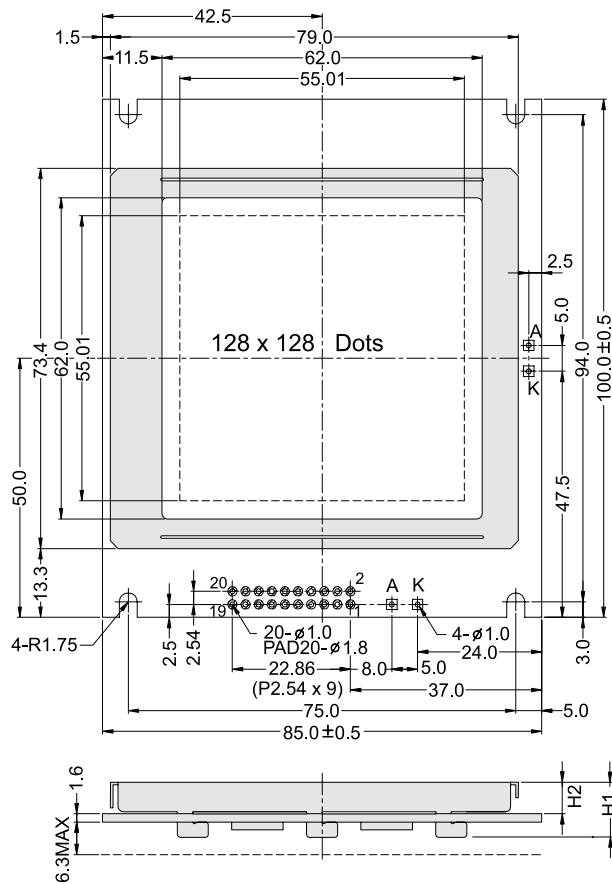


OUTLINE DIMENSION & BLOCK DIAGRAM



The tolerance unless classified $\pm 0.3\text{mm}$

MECHANICAL SPECIFICATION			
Overall Size	85.0 x 100.0	Module	H2 / H1
View Area	62.0 x 62.0	W / O B/L	6.1 / 14.0
Dot Size	0.40 x 0.40	EL B/L	6.1 / 14.0
Dot Pitch	0.43 x 0.43	LED B/L	9.2 / 17.1

PIN ASSIGNMENT		
Pin no.	Symbol	Function
1	FGND	Frame ground
2	Vss	Power supply(GND)
3	Vdd	Power supply(+)
4	Vo	Contrast Adjust
5	WR	Data write
6	RD	Data read
7	CE	Chip enable
8	C/D	Command / data select
9	NC	No connection
10	RESET	Reset
11-18	DB0-DB7	Data bus line
19	FS	Font selection
20	NC	No connection

ABSOLUTE MAXIMUM RATING								
Item	Symbol	Condition	Min.	Max.	Units			
Supply for logic voltage	Vdd-Vss	25°C	-0.3	7.0	V			
LCD driving supply voltage	Vdd-Vee	25°C	0	22.0	V			
Input voltage	Vin	25°C	-0.3	Vdd+0.3	V			
ELECTRICAL CHARACTERISTICS								
Item	Symbol	Condition	Min.	Typical	Max.	Units		
Power supply voltage	Vdd-Vss	25°C	4.5	-	5.5	V		
LCD operation voltage	Vop	Top	N	W	N	W	V	
		-20°C	-	-	-	-	V	
		0°C	18.1	-	19	-	20	V
		25°C	17.5	-	18.4	-	19.3	V
		50°C	16.5	-	17.4	-	18.3	V
		70°C	-	-	-	-	-	V
LCM current consumption (No B/L)	Idd	Vdd=5V	-	8.0	-	mA		
Backlight current consumption	LED/edge	VB/L=4.2V	-	-	-	mA		
	LED/array	VB/L=4.2V	-	450	-	mA		