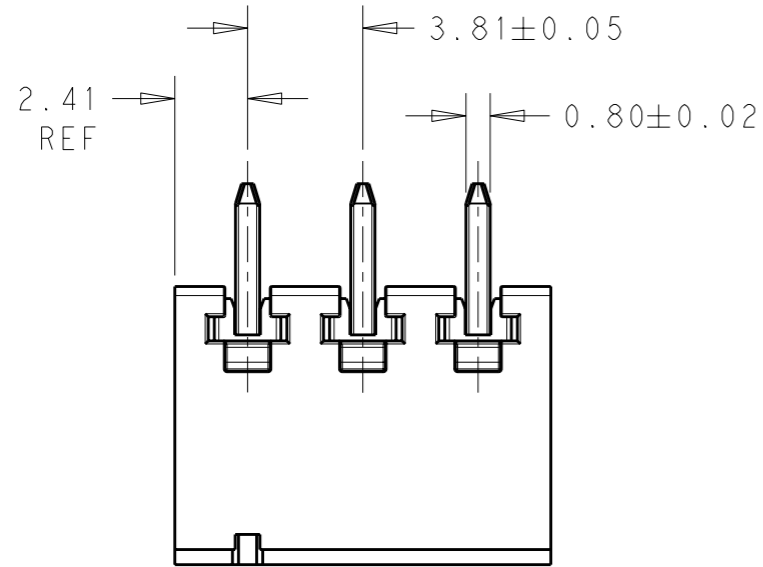


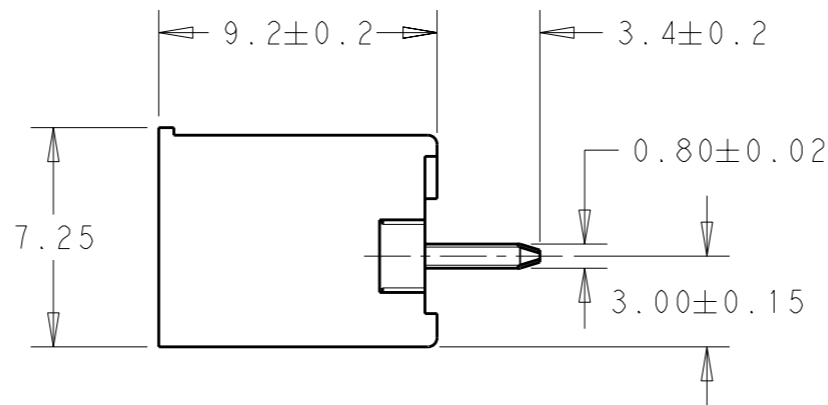
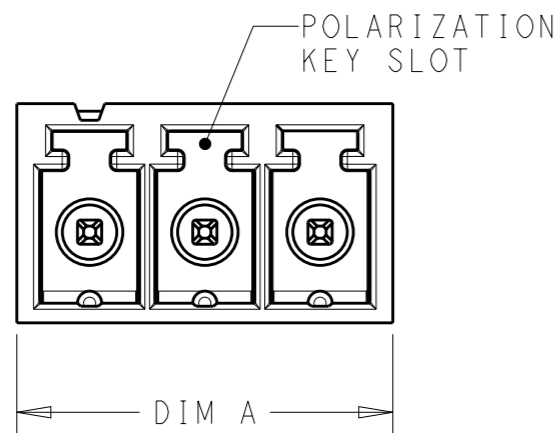
THIS DRAWING IS UNPUBLISHED. RELEASED FOR PUBLICATION 20

© COPYRIGHT 20 BY TYCO ELECTRONICS CORPORATION. ALL INTERNATIONAL RIGHTS RESERVED.

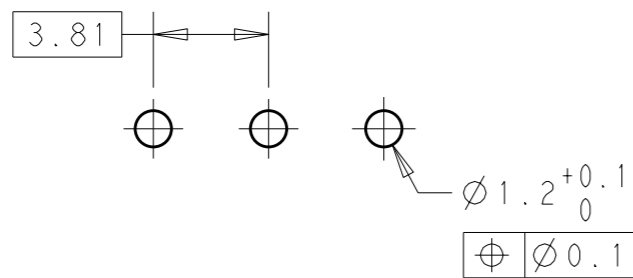
LOC	DIST	REVISIONS			
P	LTR	DESCRIPTION	DATE	DWN	APVD
-	-	01	REVISED PER ECO-09-027788	06JAN2010	SS CR



- 1 MATERIALS AND FINISH:  
HOUSING: HIGH TEMPERATURE POLYAMIDE, UL94V-0,  
COLOR: BLACK.  
TERMINAL: PHOSPHOR BRONZE, TIN PLATED.
- 2. SUITABLE FOR 1.6-2.4mm PC BOARD THICKNESS.
- 3. UL RATING: 300V, 11A



46.73	12	1-1776131-2
42.92	11	1-1776131-1
39.11	10	1-1776131-0
35.30	9	1776131-9
31.49	8	1776131-8
27.68	7	1776131-7
23.87	6	1776131-6
20.06	5	1776131-5
16.25	4	1776131-4
12.44	3	1776131-3
8.63	2	1776131-2
DIM A	NO OF POS.	PART NUMBER



RECOMMENDED PC BOARD LAYOUT

THIS DRAWING IS A CONTROLLED DOCUMENT FOR TYCO ELECTRONICS CORPORATION IT IS SUBJECT TO CHANGE AND THE CONTROLLING ENGINEERING ORGANIZATION SHOULD BE CONTACTED FOR THE LATEST REVISION.

DIMENSIONS:	TOLERANCES UNLESS OTHERWISE SPECIFIED:
mm	
	0 PLC ±-
	1 PLC ±0.3
	2 PLC ±0.25
	3 PLC ±-
	4 PLC ±-
	ANGLES ±2
MATERIAL -	FINISH -

DWN	06JAN2010
S. SCHLEGEL	
CHK	06JAN2010
C RICHARD	
APVD	06JAN2010
C RICHARD	
PRODUCT SPEC	-
APPLICATION SPEC	-
WEIGHT	-
CUSTOMER DRAWING	

		Tyco Electronics Harrisburg, PA 17105-3608	
NAME TERMINAL BLOCK HEADER ASSEMBLY, STRAIGHT, CLOSED ENDS, 3.81mm PITCH			
SIZE	CAGE CODE	DRAWING NO	RESTRICTED TO
A3	00779	C-1776131	-
SCALE	SHEET	OF	REV
4:1	1	1	01