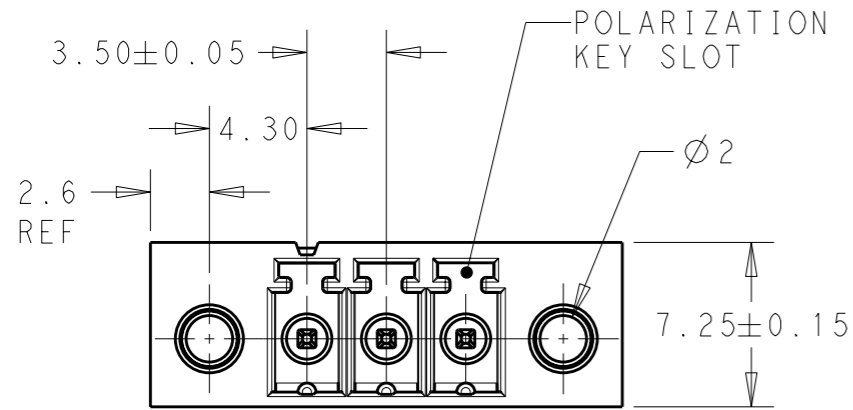


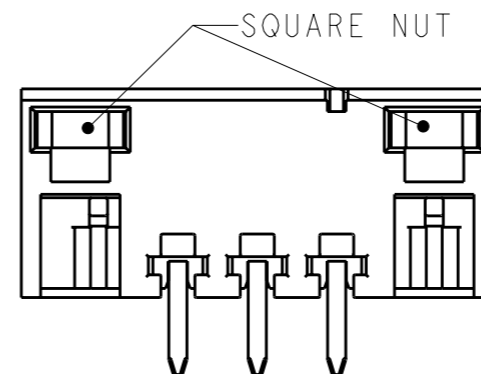
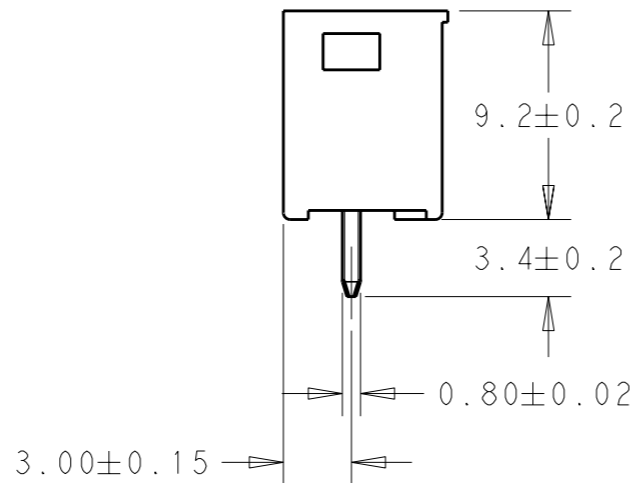
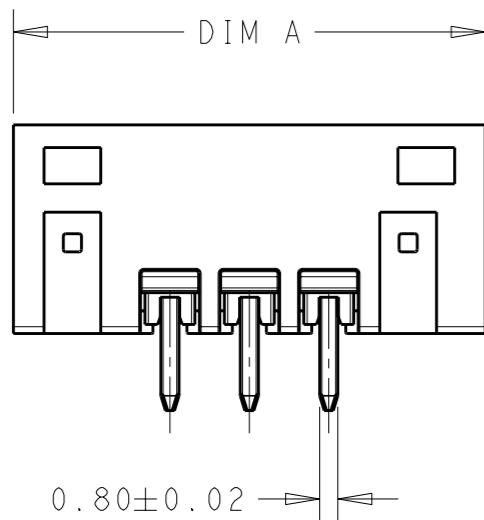
THIS DRAWING IS UNPUBLISHED. RELEASED FOR PUBLICATION 20

© COPYRIGHT 20 BY TYCO ELECTRONICS CORPORATION. ALL INTERNATIONAL RIGHTS RESERVED.

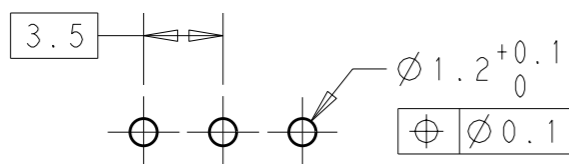
LOC	DIST	REVISIONS			
P	LTR	DESCRIPTION	DATE	DWN	APVD
-	-	01	REVISED PER ECO-09-027788	06JAN2010	SS CR



1. MATERIALS AND FINISH:  
 HOUSING: HIGH TEMPERATURE POLYAMIDE, UL94V-0,  
 COLOR: BLACK.  
 TERMINAL: PHOSPHOR BRONZE, TIN PLATED.
2. CONNECTOR ASSEMBLY INCLUDED 2 SQUARE NUTS  
 LOADED IN CAVITY.
3. SUITABLE FOR 1.6-2.4mm PC BOARD THICKNESS.
4. UL RATING: 300V, 11A.



52.3	12	1-177132-2
48.8	11	1-177132-1
45.3	10	1-177132-0
41.8	9	177132-9
38.3	8	177132-8
34.8	7	177132-7
31.3	6	177132-6
27.8	5	177132-5
24.3	4	177132-4
20.8	3	177132-3
17.3	2	177132-2
DIM A	NO OF POS.	PART NUMBER



RECOMMENDED PC BOARD LAYOUT

THIS DRAWING IS A CONTROLLED DOCUMENT FOR TYCO ELECTRONICS CORPORATION. IT IS SUBJECT TO CHANGE AND THE CONTROLLING ENGINEERING ORGANIZATION SHOULD BE CONTACTED FOR THE LATEST REVISION.

DIMENSIONS:	TOLERANCES UNLESS OTHERWISE SPECIFIED:	DWN	06JAN2010	Tyco Electronics Harrisburg, PA 17105-3608
mm	0 PLC ±-	CHK	06JAN2010	
	1 PLC ±0.3	APVD	06JAN2010	
	2 PLC ±0.25	PRODUCT SPEC	-	
	3 PLC ±-	APPLICATION SPEC	-	NAME
	4 PLC ±-	WEIGHT	-	TERMINAL BLOCK HEADER ASSEMBLY, STRAIGHT, W/ THREADED FLG, 3.5mm PITCH
	ANGLES ±2	CUSTOMER DRAWING	-	SIZE
MATERIAL	FINISH	SCALE	3:1	CAGE CODE
-	-	SHEET	1	DRAWING NO
		OF	1	RESTRICTED TO
		REV	01	-