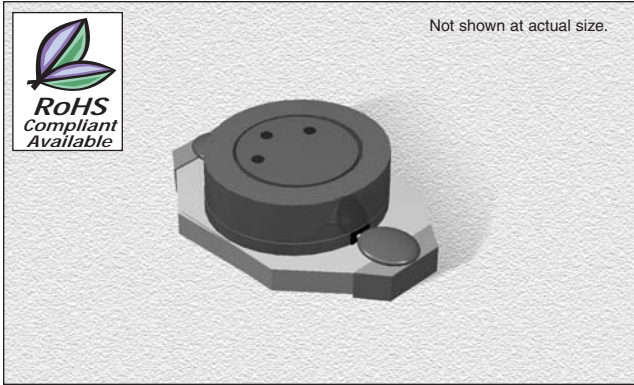


# CTDS1608BL Series

From .10 mH to 10 mH



## SPECIFICATIONS

Parts are available in  $\pm 20\%$  only.  
\* 30°C Temperature rise.

CTDS1608BLE Please specify "F" for Lead Free

Part Number	Inductance (mH $\pm 20\%$ )	L Test Freq. (kHz)	DCR Max. ( $\Omega$ )	Insulation core-winding (M $\Omega$ )	SRF Typ. (MHz)	Current* Max. (mA)
CTDS1608BL_-104	.10	100	.95	>10	12	220
CTDS1608BL_-154	.15	100	1.4	>10	10	200
CTDS1608BL_-224	.22	100	1.7	>10	8	180
CTDS1608BL_-334	.33	100	2.2	>10	6	160
CTDS1608BL_-474	.47	100	3.8	>10	5	140
CTDS1608BL_-684	.68	100	4.9	>10	4	120
CTDS1608BL_-105	1.0	100	9	>10	2	100
CTDS1608BL_-155	1.5	100	11	>10	1	80
CTDS1608BL_-225	2.2	100	19	>10	1	50
CTDS1608BL_-335	3.3	100	24	>10	1	40
CTDS1608BL_-475	4.7	100	30	>10	1	30
CTDS1608BL_-685	6.8	100	56	>10	0.9	20
CTDS1608BL_-106	10.0	100	74	>10	0.8	10

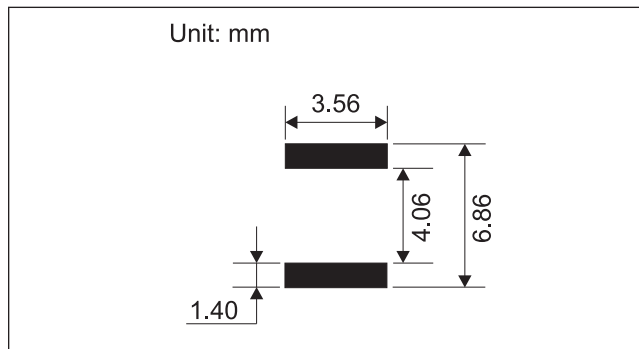
## PHYSICAL DIMENSIONS

Size	A Max.	B Max.	C Max.	D	E	F	G
mm	6.6	4.45	2.92	1.02	1.27	4.32	3.05
inches	0.26	0.18	0.12	0.04	0.05	0.17	0.1

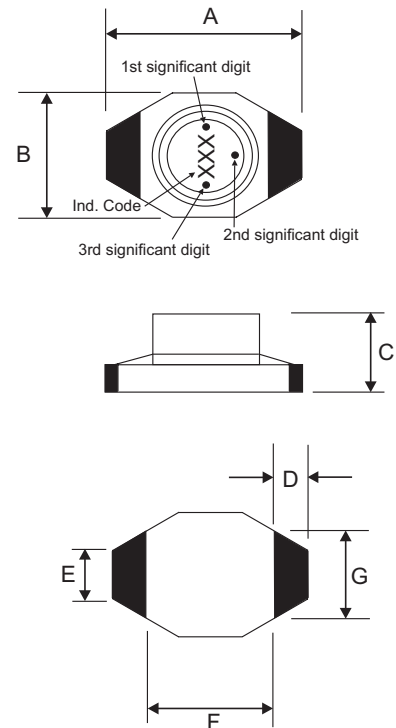
## CHARACTERISTICS

- Description:** SMD (shielded) power inductor
- Applications:** Back light of LCD displays
- Operating Temperature:** -40°C to +85°C
- Inductance Tolerance:**  $\pm 20\%$
- Testing:** Tested on a HP4285A at 100 KHz , 0.1Vrms
- Packaging:** Tape & Reel
- Marking:** Color Dots OR Inductance code
- Miscellaneous:** RoHS Compliant available. Magnetically shielded
- Additional Information:** Additional electrical & physical information available upon request
- Samples available. See website for ordering information.**

## PAD LAYOUT



Parts will be marked with Significant Digit Dots OR Inductance Code



01.14.05