

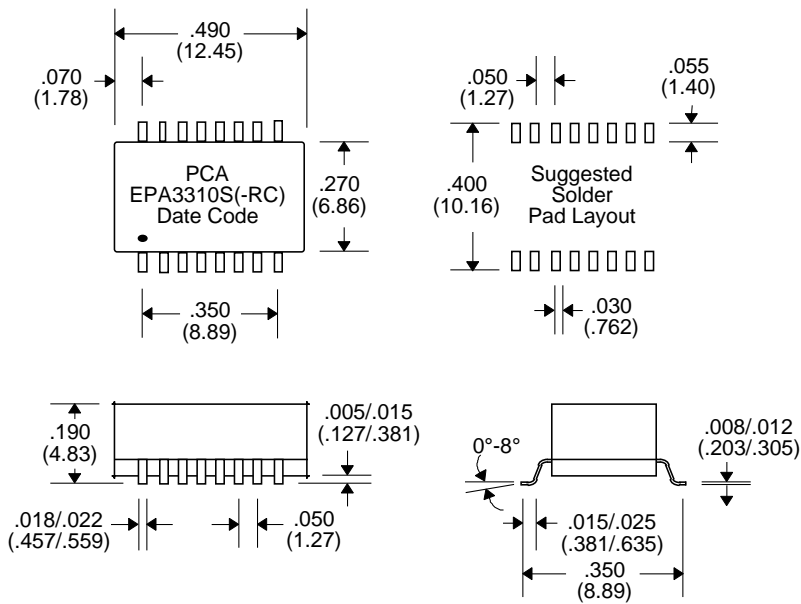


- Add “-RC” after part number for RoHS Compliant
- 1500 Vrms Hipot (Pri. to Sec.)

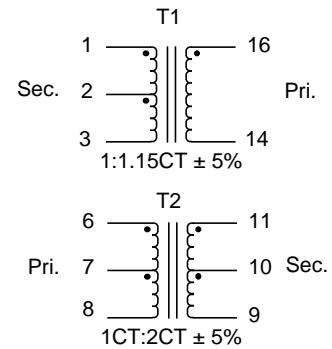
### Electrical Parameters @ 25° C

Primary Inductance (mH Min.)	Interwinding Capacitance (pF Max.)	Leakage Inductance (µH Max.)	Pri. DCR ( Max.)	Sec. DCR ( Max.)	
@ 100 KHz, 0.1 Vrms	@ 100 KHz, 0.1 Vrms	@ 100 KHz, 0.1 Vrms			
1.2	30	0.60	0.70	0.70	1.0
		Pri. w/ Sec. Shorted	(T1 & T2)	(T1)	(T2)

### Package



### Schematic



Notes :	EPA3310S	EPA3310S-RC
1. Lead Finish	SnPb	Hot Tin Dip (Sn) †
2. Peak Temperature Rating	225°C	245°C
3. Moisture Sensitive Levels	MSL = 3 (168 Hours, 30°C/60%RH)	MSL = 4 (72 Hours, 30°C/60%RH)
4. Weight	0.9 grams	0.9 grams
5. Packaging Information (Tube)	39 pieces/tube	39 pieces/tube
(*Add "TR" to end of part number, but in front of "-RC" when placing order) (Tape & Reel)	650 pieces/13" reel (*EPA3310STR)	650 pieces/13" reel (*EPA3310STR-RC)

† Hot tin dipped over Matte Tin with Ni Barrier

Unless Otherwise Specified Dimensions are in Inches /mm ± .010 / .25