

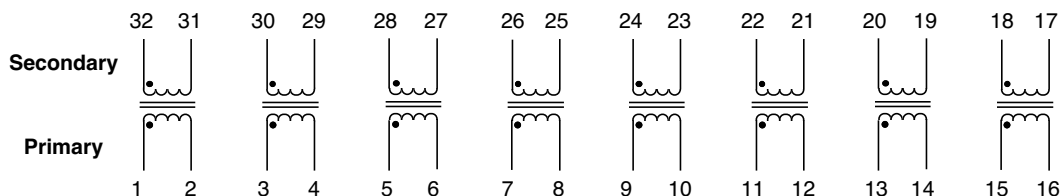
EPR1591SE-X

- Small Surface Mount Package
- Crosstalk : -65 dB or better typically
- Operating Temperature : -40°C to +85°C
- 1500 Vrms Isolation Minimum

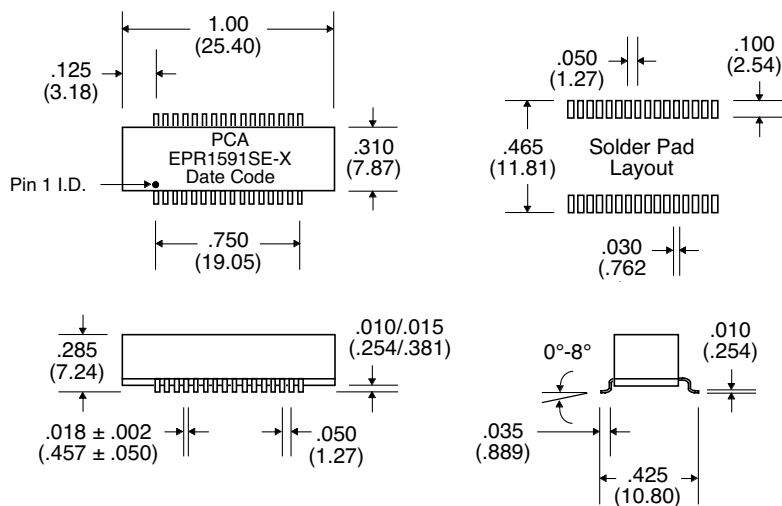
Electrical Parameters @ 25° C

Part Number	Turns Ratio (± 2%)	Secondary Inductance (mH Min.)	C _{ww} (pF Max..) Wdg to Wdg	LL (μH Max..)
EPR1591SE-1	1:2	1.2	30	0.60
EPR1591SE-2	1:1	1.2	30	0.60

Schematic



Package



Unless Otherwise Specified Dimensions are in Inches /mm ± .010 / .25