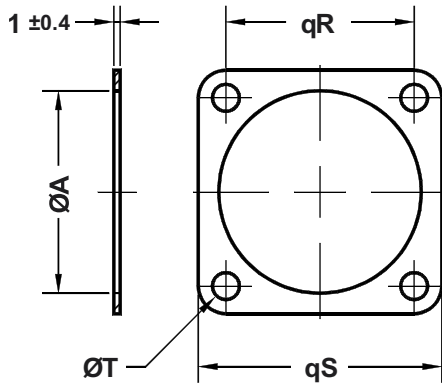
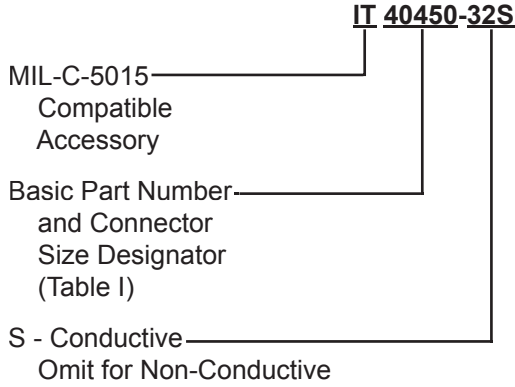
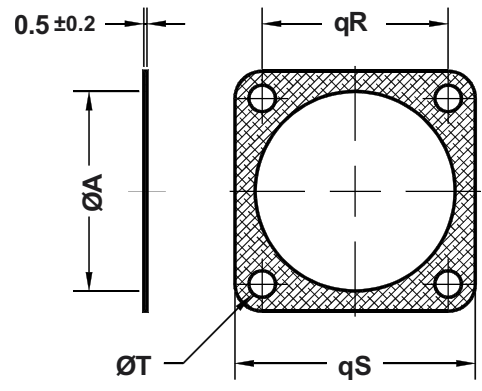


# IT 40450-XX and IT 40450-XX (S) Connector Mounting Gaskets for Front-Mounted Square Flange Receptacle



**IT 40450-XX  
Non-Conductive**



**IT 40450-XXS  
Conductive**

**Application Notes:**

1. Conductive and non-conductive gasket for front-mount square flange receptacles.
2. Other types of front and rear connector accessories are available.  
See our website and/or contact the factory for complete information.



**IT 40450-XX and IT 40450-XXS  
Connector Mounting Gaskets  
for Front-Mounted Square Flange Receptacle**



**TABLE I: CONDUCTIVE & NON-CONDUCTIVE FIXED CONNECTOR GASKETS  
PART NUMBERS, SHELL SIZE & DIMENSIONS**

<b>Part Number</b>	<b>Shell Size</b>	<b>ØA +1</b>	<b>R ±0.2</b>	<b>S ±0.5</b>	<b>ØT +0.5</b>
IT 40450 - 10	10SL	15.7	18.2	25.4	4.2
IT 40450 - 14	14S	22.1	23.0	30.0	4.2
IT 40450 - 16	16S - 16	25.3	24.6	32.5	4.2
IT 40450 - 18	18	28.4	27.0	35.0	4.2
IT 40450 - 20	20	31.6	29.4	38.0	4.2
IT 40450 - 22	22	34.8	31.8	41.0	4.2
IT 40450 - 24	24	38.0	34.9	44.5	4.2
IT 40450 - 28	28	44.3	39.7	50.8	5.1
IT 40450 - 32	32	50.7	44.5	57.0	5.1
IT 40450 - 36	36	57.0	49.2	63.5	5.1
IT 40450 - 40	40	61.9	55.5	69.9	5.1

