

REVISIONS				
REV.	ECN/E-R	DESCRIPTION	DATE	APPROVED
A		PROPOSAL	MAR25/09	
B		UPDATED	APR21/09	
C		B-B APPLICATIONS ADDED	MAY25/09	



MATERIAL:

CAGE:  
COPPER ALLOY

PLATING OPTION Y=2:  
2.54um MIN. NICKEL

PLATING OPTION Y=3:  
3.81um MIN. MATTE TIN  
OVER 1.27um MIN. NICKEL.

LIGHT PIPE:  
CLEAR POLYCARBONATE

BRACKET FOR LIGHT PIPE:  
STAINLESS STEEL

PACKAGING:  
TRAY PACKAGING

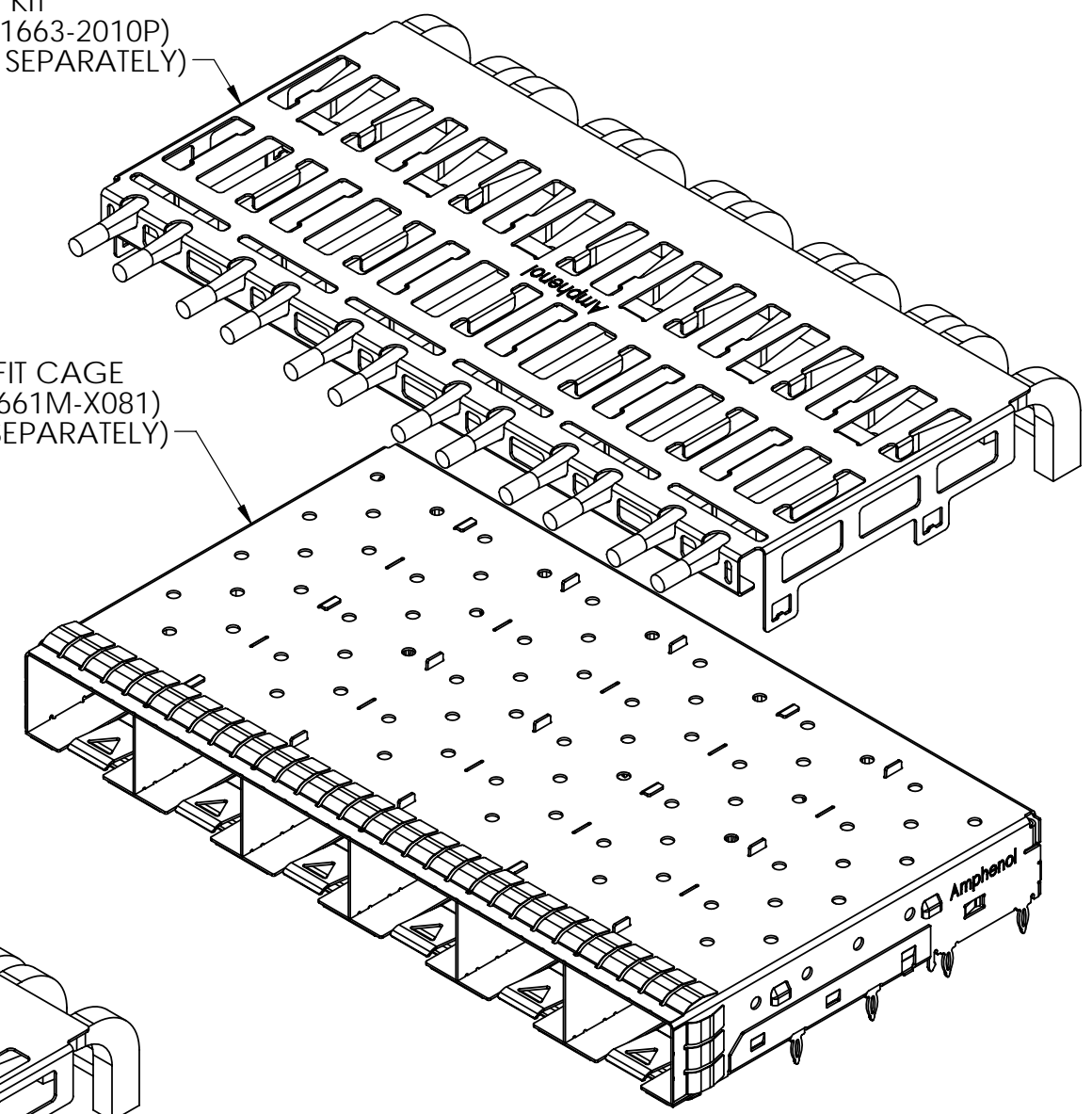
TEMPERATURE RANGE:  
-40C TO +85C

LIGHT PIPE KIT  
(P/N: U77-1663-2010P)  
(IF ORDER SEPARATELY)

SFP+PRESS FIT CAGE  
(P/N U77-A661M-X081)  
(IF ORDER SEPARATELY)

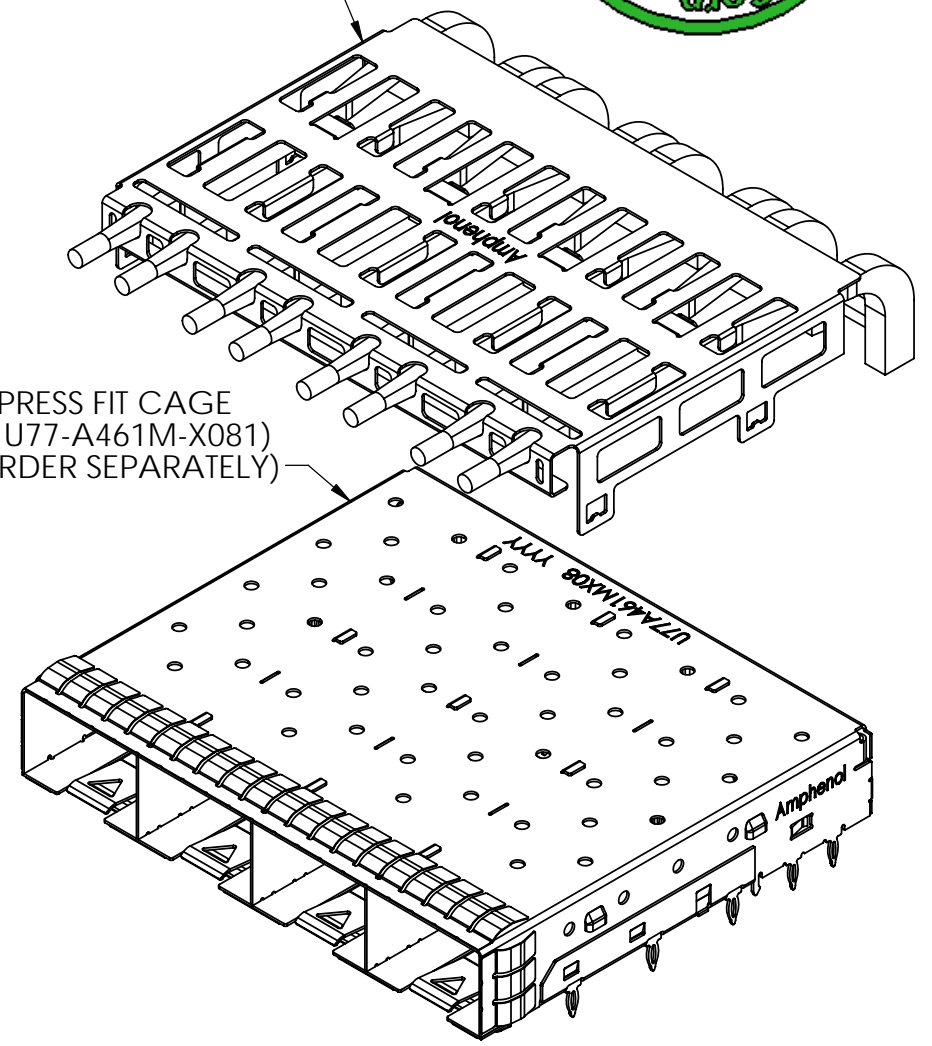
LIGHT PIPE KIT  
(P/N: U77-1263-2010P)  
(IF ORDER SEPARATELY)

SFP+PRESS FIT CAGE  
(P/N U77-A261M-X081)  
(IF ORDER SEPARATELY)



LIGHT PIPE KIT  
(P/N: U77-1463-2010P)  
(IF ORDER SEPARATELY)

SFP+PRESS FIT CAGE  
(P/N U77-A461M-X081)  
(IF ORDER SEPARATELY)



**P/N: U77-C661M-X081 SHOWN**

**P/N: U77-C461M-X081 SHOWN**

**AMPHENOL PART NUMBER CONFIGURATION**

U77 - C X 6 1 M - Y 0 8 1

- PACKAGING  
1 = TRAY PACKAGING
- PLATING  
2 = NICKEL PLATING  
3 = MATTE TIN PLATING
- NUMBER OF PORTS  
2 = 2 PORTS  
4 = 4 PORTS  
6 = 6 PORTS

**P/N: U77-C261M-X081 SHOWN**

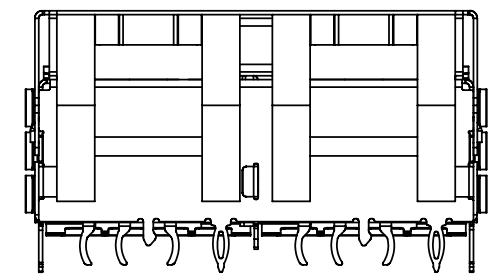
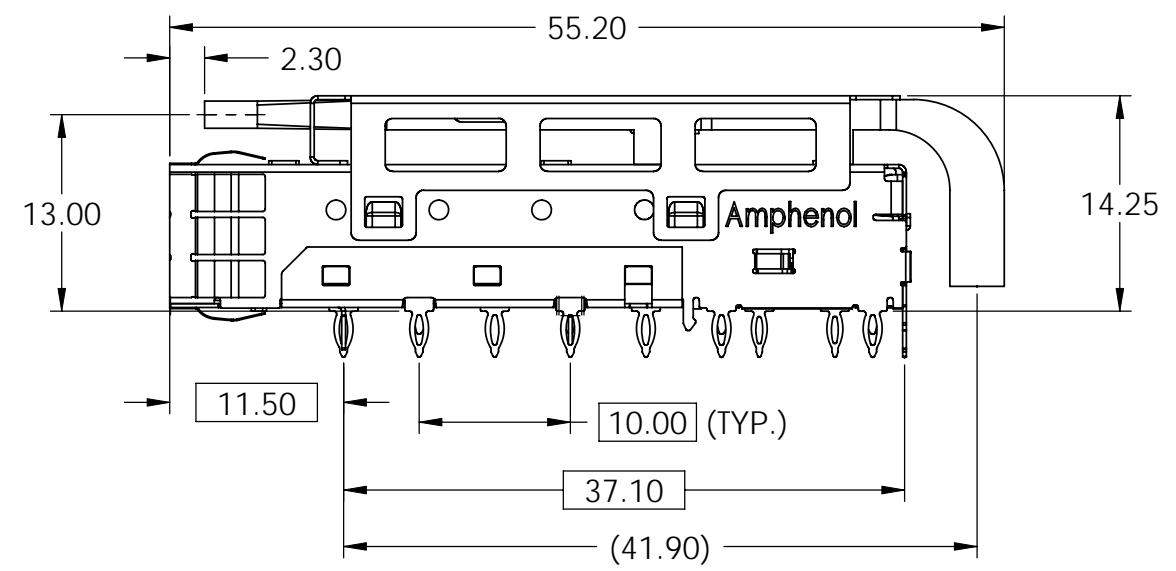
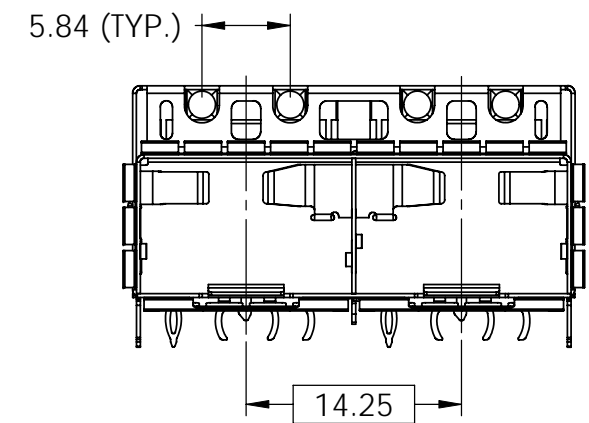
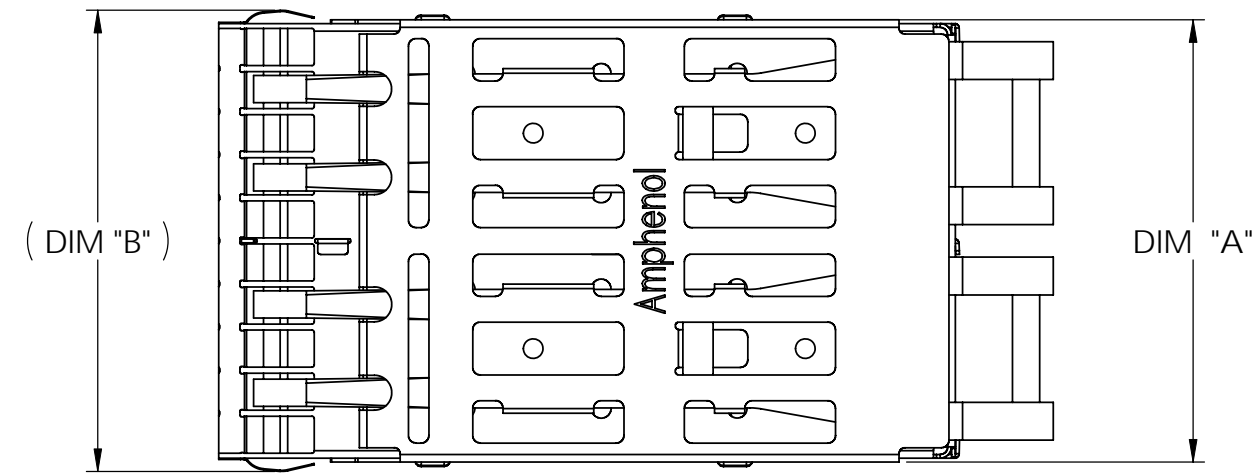
**DO NOT SCALE DRAWING**

THIS DOCUMENT CONTAINS PROPRIETARY INFORMATION AND SUCH INFORMATION MAY NOT BE DISCLOSED TO OTHERS FOR ANY PURPOSE OR USED FOR MANUFACTURING PURPOSES WITHOUT PERMISSION FROM AMPHENOL CANADA CORP.

UNLESS OTHERWISE SPECIFIED DIMENSIONS ARE IN MILLIMETERS TOLERANCES ARE:		APPROVALS		DATE	Amphenol Canada Corp.	
DECIMALS X.X ± 0.38 X.XX ± 0.25	ANGLES ± 1°	DRAWN Jane.Z	MAR13/09	TITLE		
MATERIAL AND FINISH SEE NOTE 1		CHECKED J.SI	MAR25/09	1XN SFP+ CAGE SPRINGFINGER EMI, WITH LIGHT PIPE		
REF.	IE APPD	DWG APPD A.G	MAR25/09	SIZE A3	DWG. NO P-U77-CX61M-X081	REV. C
CODE IDENT. NO 03554	SCALE 3:2	PROJECT	SHEET 1 OF 11			

PART NUMBER	DIM"A"	DIM"B"
U77-C261M-X081	29.26	30.51
U77-C461M-X081	57.76	59.01
U77-C661M-X081	86.26	87.51

REVISIONS				
REV.	ECN/E-R	DESCRIPTION	DATE	APPROVED
A		PROPOSAL	MAR25/09	
B		UPDATED	APR21/09	
C		B-B APPLICATIONS ADDED	MAY25/09	



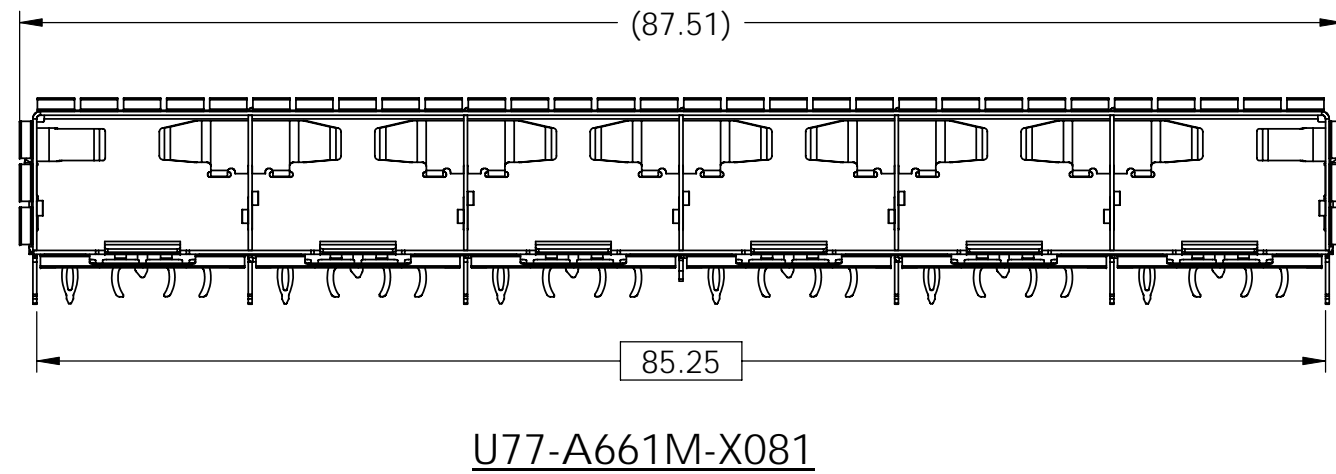
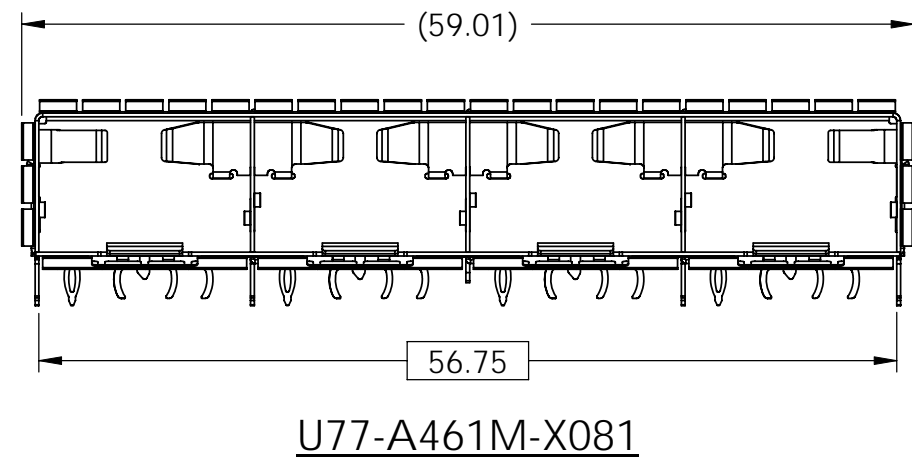
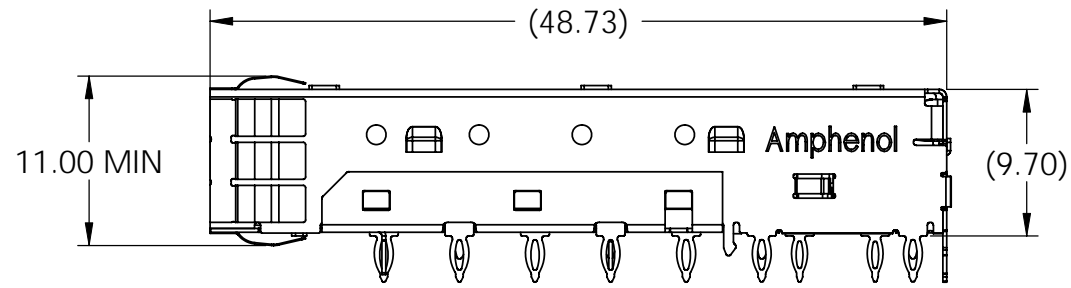
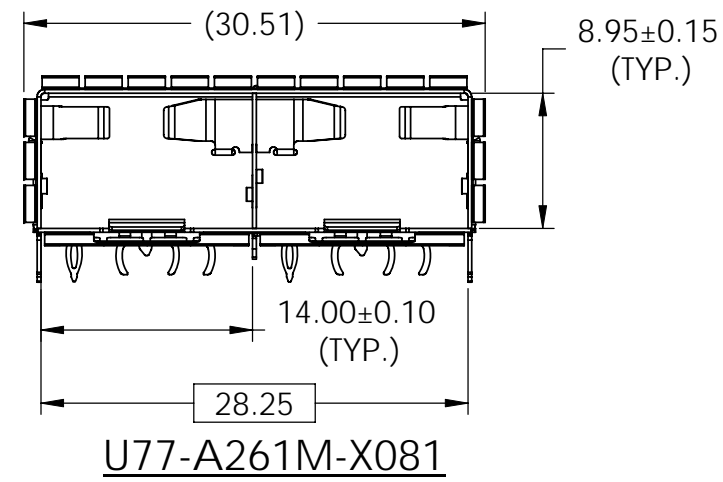
**DO NOT SCALE DRAWING**

THIS DOCUMENT CONTAINS PROPRIETARY INFORMATION AND SUCH INFORMATION MAY NOT BE DISCLOSED TO OTHERS FOR ANY PURPOSE OR USED FOR MANUFACTURING PURPOSES WITHOUT PERMISSION FROM AMPHENOL CANADA CORP.

UNLESS OTHERWISE SPECIFIED DIMENSIONS ARE IN MILLIMETERS TOLERANCES ARE:		<b>APPROVALS</b>		<b>DATE</b>	<b>Amphenol Canada Corp.</b>	
DECIMALS X.X ± 0.38 X.XX ± 0.25	ANGLES ± 1°	DRAWN Jane.Z	DESIGNED	MAR13/09		
MATERIAL AND FINISH SEE NOTE 1		CHECKED J.SI	QA APPD	MAR25/09	<b>1XN SFP+ CAGE SPRINGFINGER EMI, WITH LIGHT PIPE</b>	
REF.		IE APPD				
CODE IDENT. NO.	03554	DWG APPD A.G		MAR25/09	SIZE A3	DWG. NO. P-U77-CX61M-X081
			SCALE	1:1	PROJECT	REV. C
					SHEET 2 OF 11	

8 7 6 5 4 3 2 1

REVISIONS				
REV.	ECN/E-R	DESCRIPTION	DATE	APPROVED
A		PROPOSAL	MAR25/09	
B		UPDATED	APR21/09	
C		B-B APPLICATIONS ADDED	MAY25/09	



**DO NOT SCALE DRAWING**

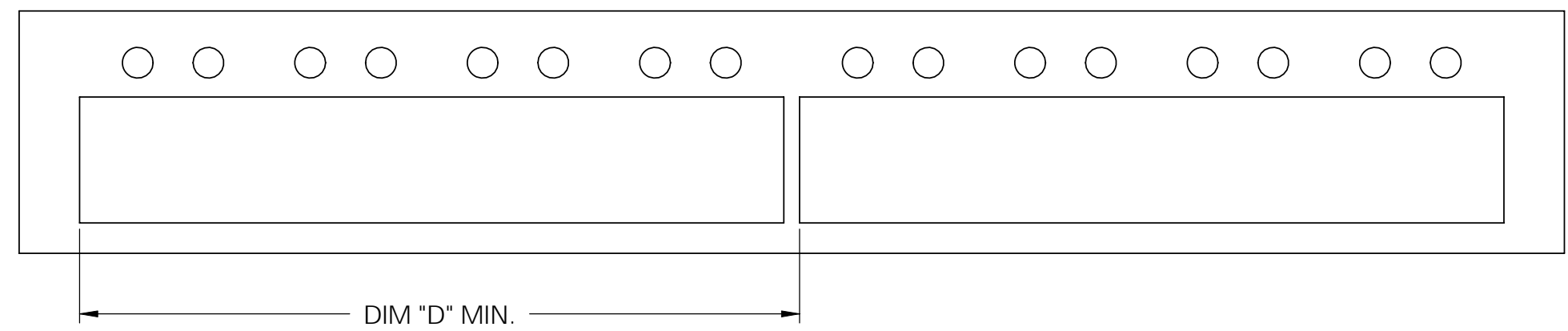
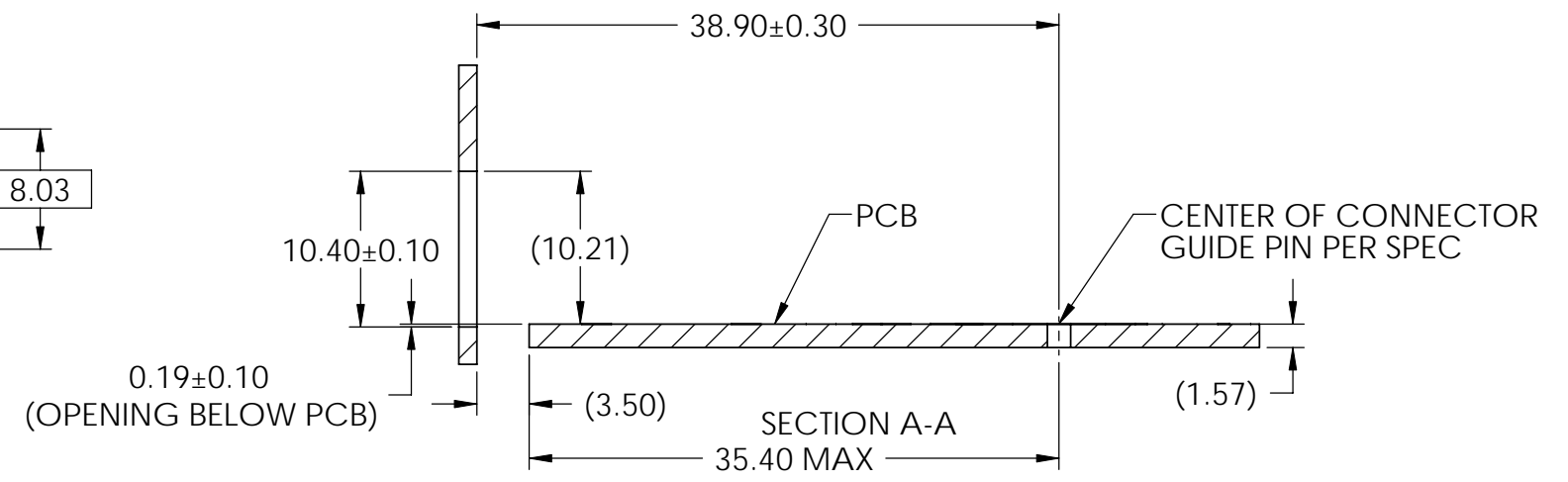
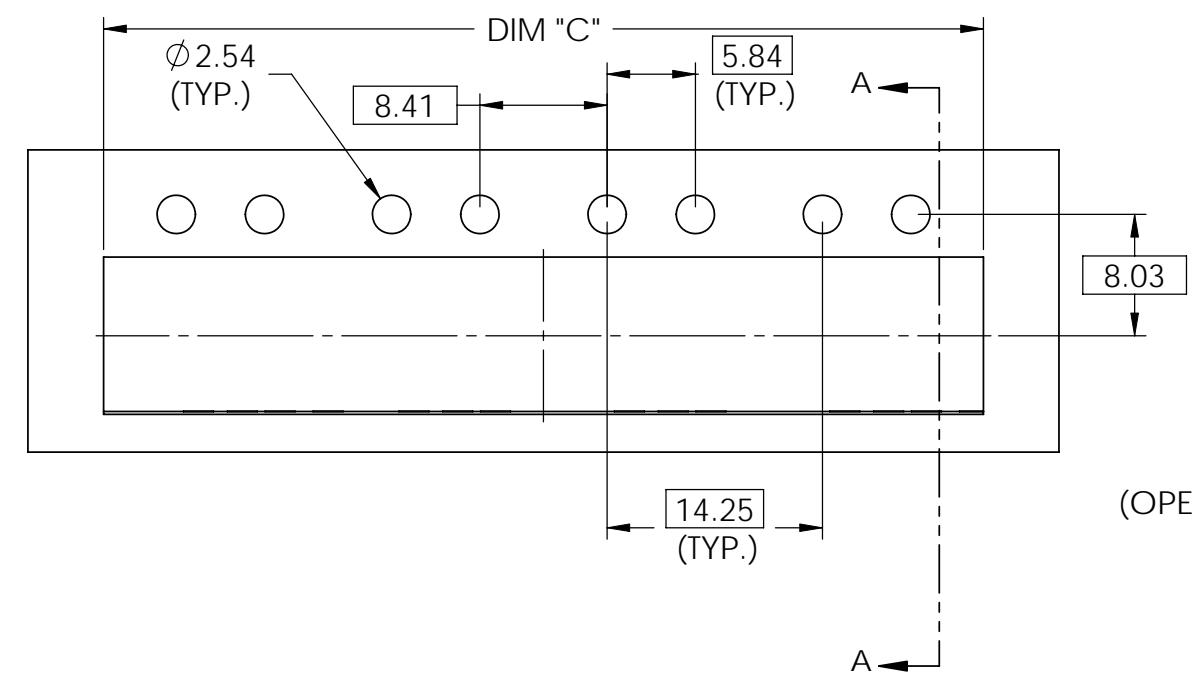
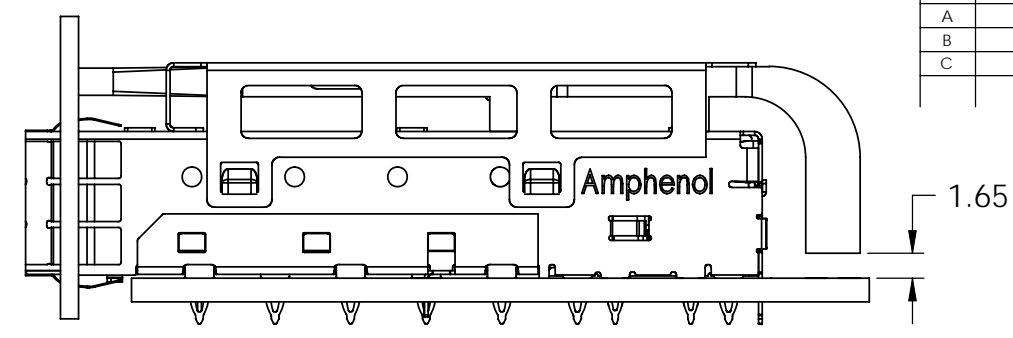
THIS DOCUMENT CONTAINS PROPRIETARY INFORMATION AND SUCH INFORMATION MAY NOT BE DISCLOSED TO OTHERS FOR ANY PURPOSE OR USED FOR MANUFACTURING PURPOSES WITHOUT PERMISSION FROM AMPHENOL CANADA CORP.

UNLESS OTHERWISE SPECIFIED DIMENSIONS ARE IN MILLIMETERS TOLERANCES ARE: DECIMALS X.X ± 0.38 X.XX ± 0.25 MATERIAL AND FINISH SEE NOTE 1 REF. CODE IDENT. NO. 03554	<b>APPROVALS</b>	<b>DATE</b>	<b>Amphenol Canada Corp.</b>	
	DRAWN Jane.Z	MAR13/09		
	CHECKED J.SI	MAR25/09	<b>1XN SFP+ CAGE SPRINGFINGER EMI, WITH LIGHT PIPE</b>	
	QA APPD			
	IE APPD		SIZE A3	DWG. NO. P-U77-CX61M-X081
	DWG APPD A.G	MAR25/09	SCALE 4:1	PROJECT
				SHEET 3 OF 11

8 7 6 5 4 3 2 1

PART NUMBER	DIM "C"	DIM "D"
U77-C261M-X081	29.70	31.00
U77-C461M-X081	58.20	59.50
U77-C661M-X081	86.70	88.00

REVISIONS				
REV.	ECN/E-R	DESCRIPTION	DATE	APPROVED
A		PROPOSAL	MAR25/09	
B		UPDATED	APR21/09	
C		B-B APPLICATIONS ADDED	MAY25/09	

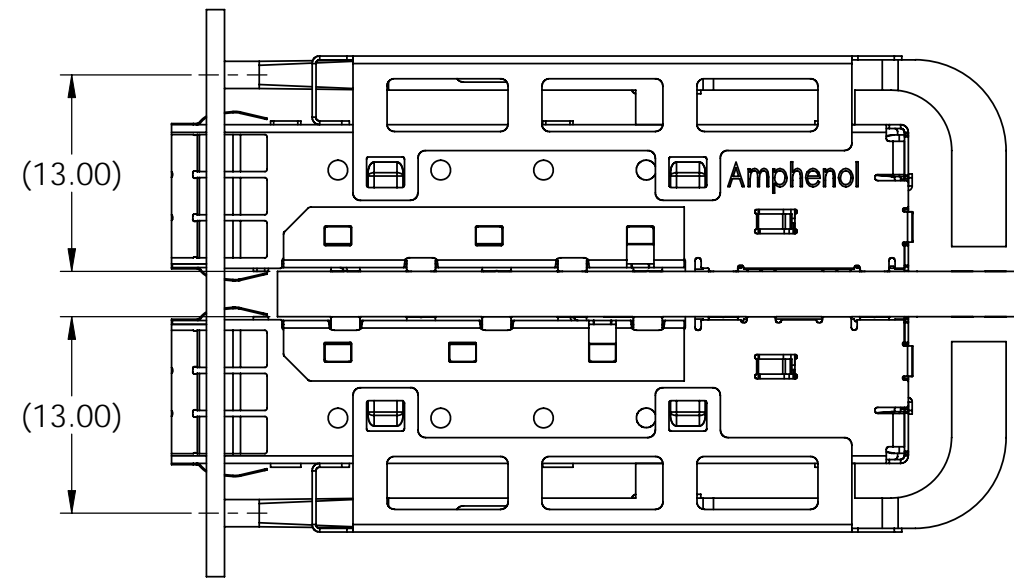


UNLESS OTHERWISE SPECIFIED DIMENSIONS ARE IN MILLIMETERS TOLERANCES ARE:		<b>APPROVALS</b>		<b>DATE</b>	<b>Amphenol Canada Corp.</b>	
DECIMALS X.X ± 0.38 X.XX ± 0.25	ANGLES ± 1°	DRAWN Jane.Z	MAR13/09			
MATERIAL AND FINISH SEE NOTE 1		CHECKED J.SI	MAR25/09	<b>1XN SFP+ CAGE SPRINGFINGER EMI, WITH LIGHT PIPE</b>		
REF.		QA APPD				
CODE IDENT. NO. 03554	DWG APPD A.G	MAR25/09	SCALE 2:1	PROJECT	SHEET 4 OF 11	REV. C

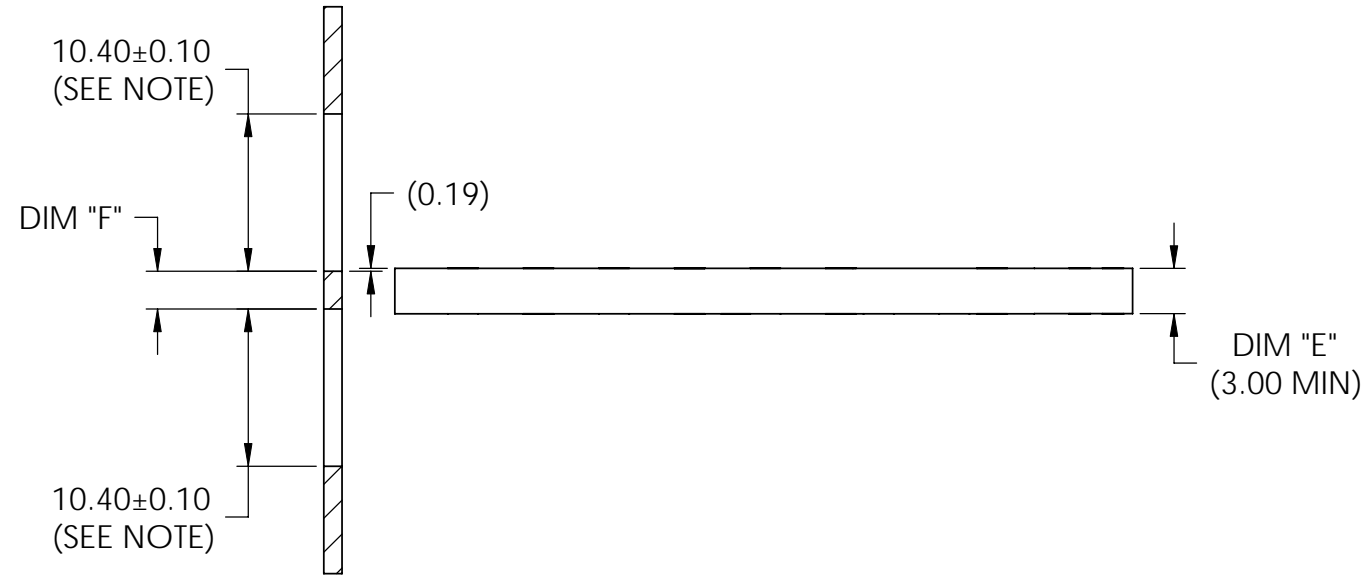
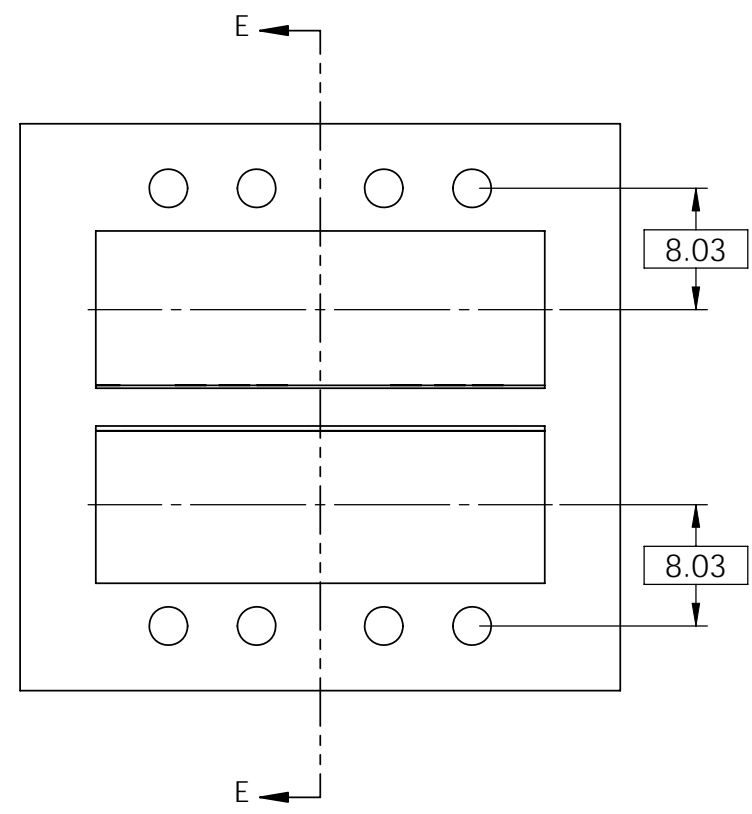
**DO NOT SCALE DRAWING**

THIS DOCUMENT CONTAINS PROPRIETARY INFORMATION AND SUCH INFORMATION MAY NOT BE DISCLOSED TO OTHERS FOR ANY PURPOSE OR USED FOR MANUFACTURING PURPOSES WITHOUT PERMISSION FROM AMPHENOL CANADA CORP.

REVISIONS				
REV.	ECN/E-R	DESCRIPTION	DATE	APPROVED
A		PROPOSAL	MAR25/09	
B		UPDATED	APR21/09	
C		B-B APPLICATIONS ADDED	MAY25/09	



NOTE:  
 PANEL CUTOUT SIZES PER SFF 8433 SPEC. FOR BELLY TO BELLY MOUNTING, DIM "E" (PCB THICKNESS) IS 3.0 mm MIN. DIM "F" RELATED TO DIM "E". FOR DIM "F" = DIM "E" - 0.44 mm. THE PANEL CUTOUT 10.40 mm MIGHT BE INCREASED UP TO 10.80 mm IN ORDER TO ACCOMMODATE PCB TOLERANCE.



SECTION E-E

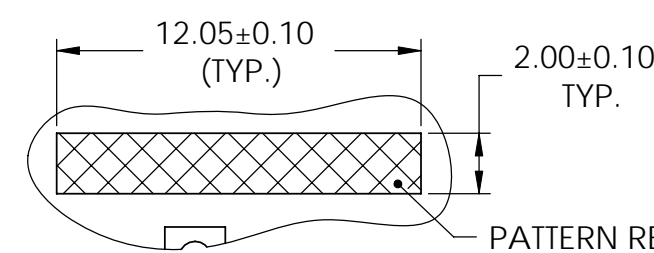
DO NOT SCALE DRAWING

THIS DOCUMENT CONTAINS PROPRIETARY INFORMATION AND SUCH INFORMATION MAY NOT BE DISCLOSED TO OTHERS FOR ANY PURPOSE OR USED FOR MANUFACTURING PURPOSES WITHOUT PERMISSION FROM AMPHENOL CANADA CORP.

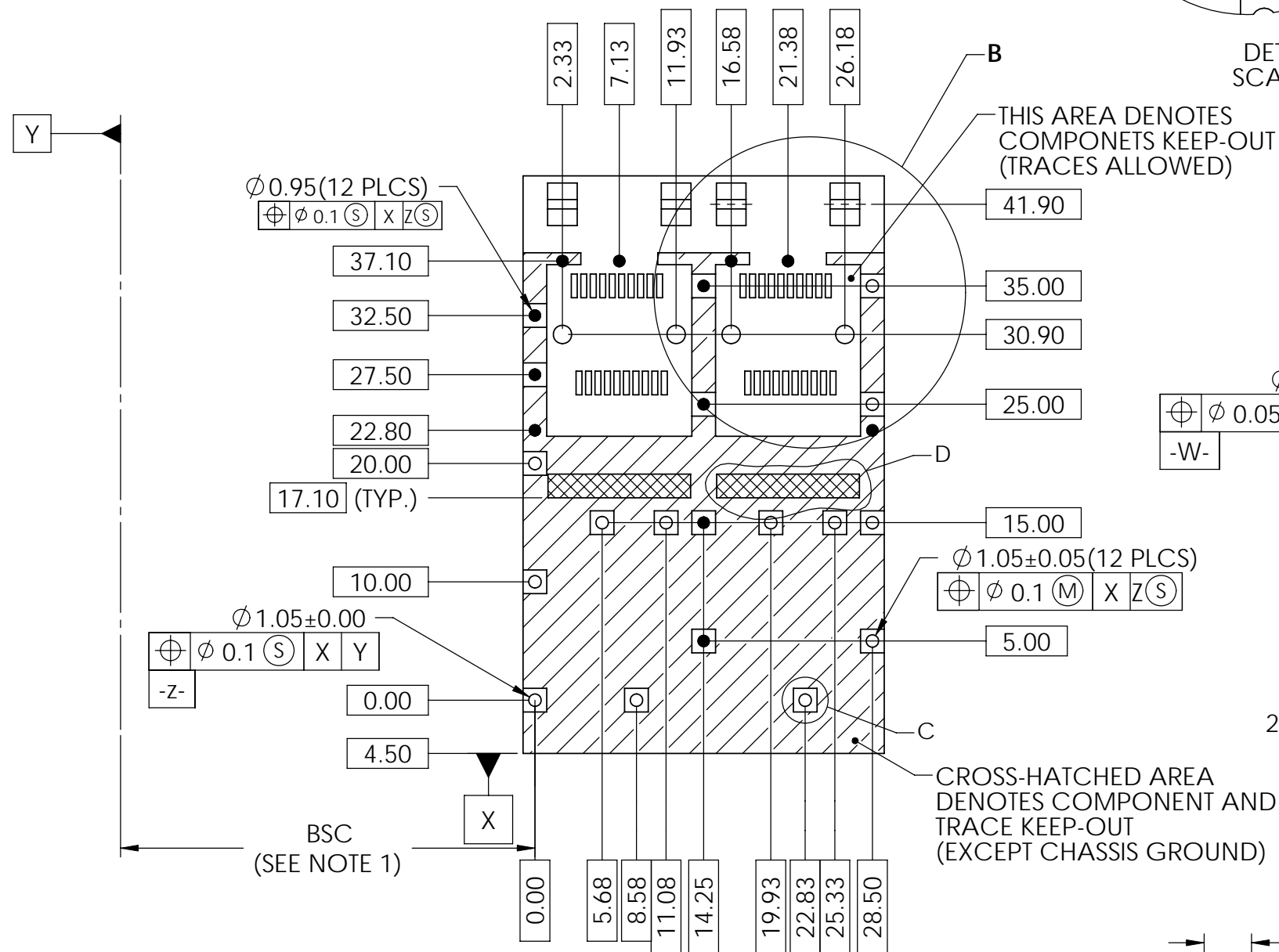
UNLESS OTHERWISE SPECIFIED DIMENSIONS ARE IN MILLIMETERS TOLERANCES ARE:		APPROVALS		DATE	Amphenol Canada Corp.	
DECIMALS	ANGLES	DRAWN	Jane.Z	MAR13/09	TITLE	
X.X ± 0.38	± 1°	DESIGNED			1XN SFP+ CAGE SPRINGFINGER EMI, WITH LIGHT PIPE	
X.XX ± 0.25		CHECKED	J.SI	MAR25/09	SIZE	DWG. NO.
MATERIAL AND FINISH		QA APPD			A3	P-U77-CX61M-X081
SEE NOTE 1		IE APPD			SCALE	PROJECT
REF.		DWG APPD	A.G	MAR25/09	2:1	SHEET
CODE IDENT. NO.	03554					5 OF 11

- NOTES:  
 1. DATUM AND BASIC DIMENSIONS ESTABLISHED BY CUSTOMER.  
 2. PADS AND VIAS ARE CHASSIS GROUND.  
 3. THRU-HOLES, PLATING OPTIONAL.  
 4. SEE DRAWINGS P-UX76-A20-X00XX FOR CONNECTOR LAYOUT.

REVISIONS				
REV.	ECN/E-R	DESCRIPTION	DATE	APPROVED
A		PROPOSAL	MAR25/09	
B		UPDATED	APR21/09	
C		B-B APPLICATIONS ADDED	MAY25/09	



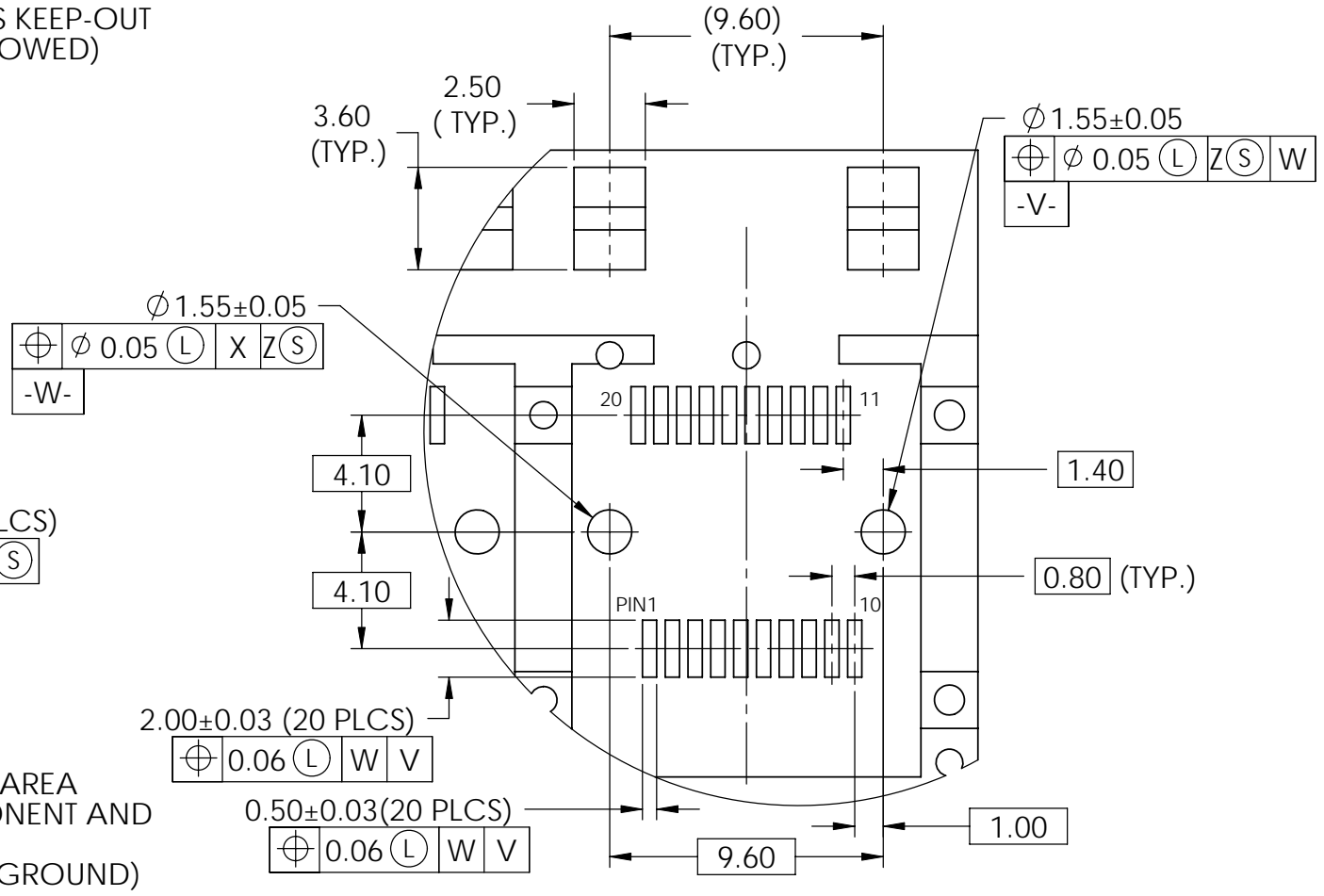
DETAIL D  
SCALE 4 : 1



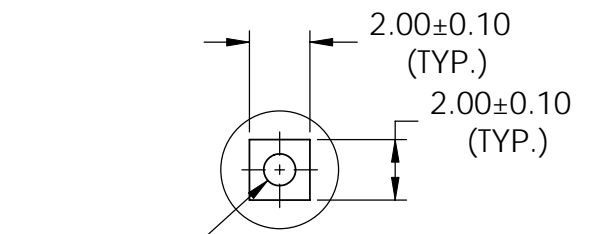
**RECOMMENDED PCB DESIGN  
 FOR SINGLE SIDE MOUNTING  
 (P/N U77-C261M-X081)**

DO NOT SCALE DRAWING

THIS DOCUMENT CONTAINS PROPRIETARY INFORMATION AND SUCH INFORMATION MAY NOT BE DISCLOSED TO OTHERS FOR ANY PURPOSE OR USED FOR MANUFACTURING PURPOSES WITHOUT PERMISSION FROM AMPHENOL CANADA CORP.



DETAIL B  
SCALE 4 : 1

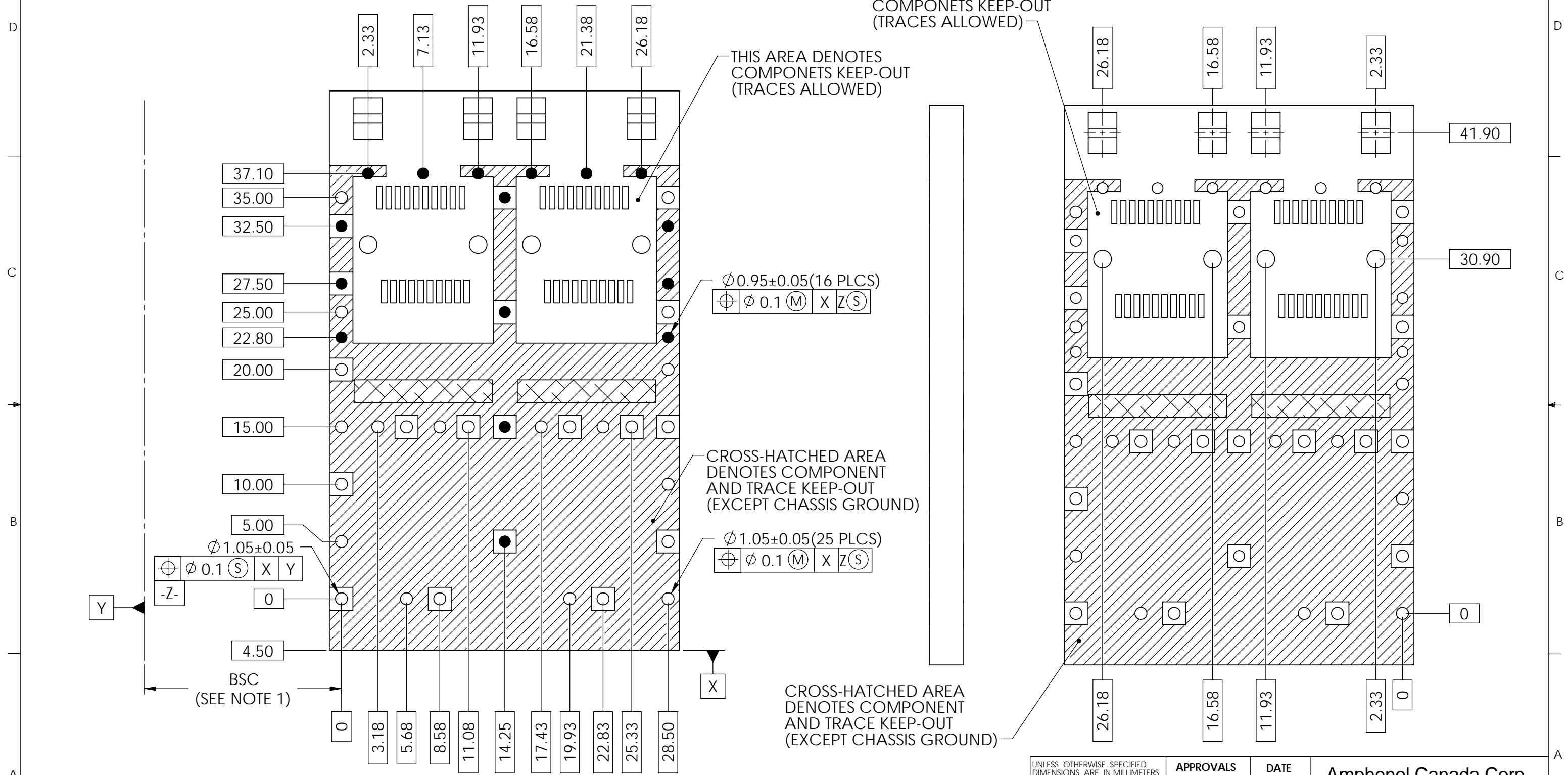


DETAIL C  
SCALE 4 : 1

UNLESS OTHERWISE SPECIFIED DIMENSIONS ARE IN MILLIMETERS TOLERANCES ARE:  DECIMALS      ANGLES X.X ± 0.38      ± 1° X.XX ± 0.25	APPROVALS	DATE	Amphenol Canada Corp.	
	DRAWN Jane.Z	MAR13/09		
MATERIAL AND FINISH SEE NOTE 1	DESIGNED		1XN SFP+ CAGE SPRINGFINGER EMI, WITH LIGHT PIPE	
	CHECKED J.SI	MAR25/09		
REF.	QA APPD		SIZE A3	DWG. NO. P-U77-CX61M-X081
CODE IDENT. NO. 03554	IE APPD		SCALE 2:1	PROJECT
	DWG APPD A.G	MAR25/09	SHEET 6 OF 11	REV. C

- NOTES:  
 1. DATUM AND BASIC DIMENSIONS ESTABLISHED BY CUSTOMER.  
 2. PADS AND VIAS ARE CHASSIS GROUND.  
 3. THRU-HOLES, PLATING OPTIONAL.  
 4. SEE DRAWINGS P-UX76-A20-X00XX FOR CONNECTOR LAYOUT.

REVISIONS				
REV.	ECN/E-R	DESCRIPTION	DATE	APPROVED
A		PROPOSAL	MAR25/09	
B		UPDATED	APR21/09	
C		B-B APPLICATIONS ADDED	MAY25/09	



**RECOMMENDED PCB DESIGN FOR BELLY TO BELLY MOUNTING**

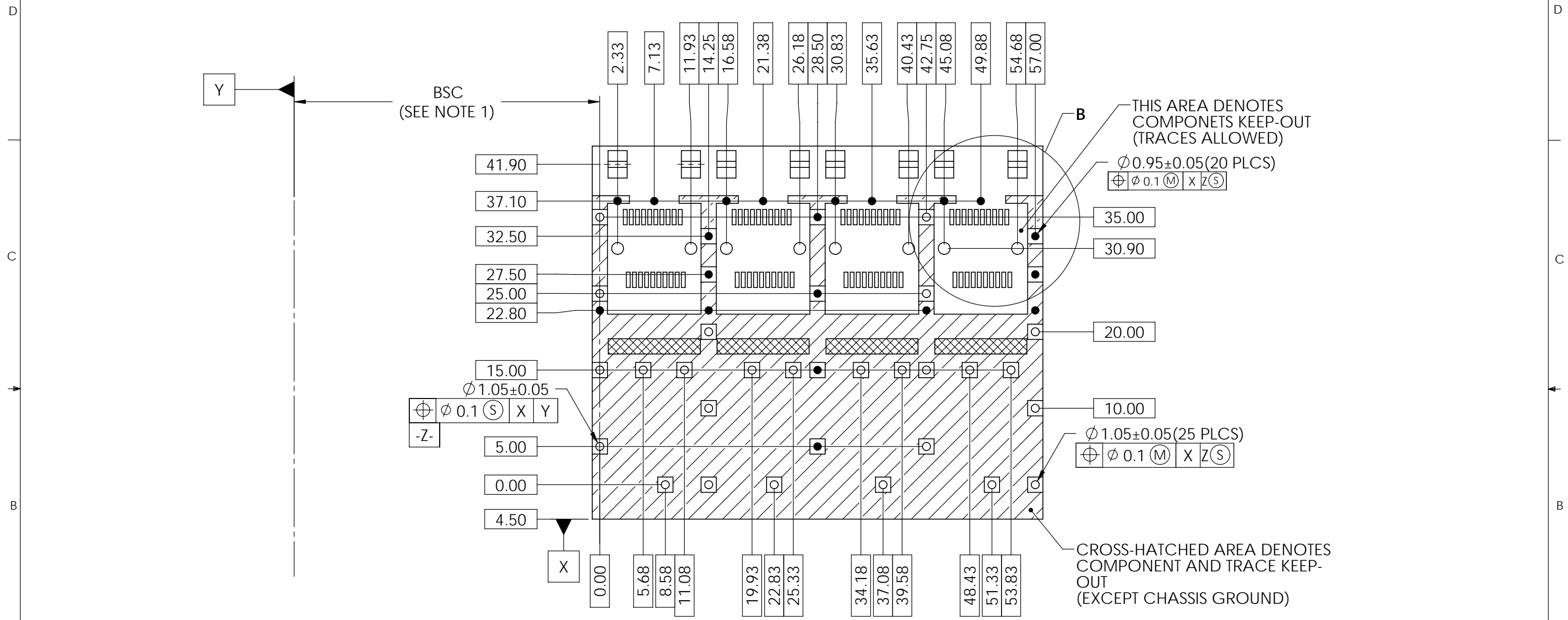
DO NOT SCALE DRAWING

THIS DOCUMENT CONTAINS PROPRIETARY INFORMATION AND SUCH INFORMATION MAY NOT BE DISCLOSED TO OTHERS FOR ANY PURPOSE OR USED FOR MANUFACTURING PURPOSES WITHOUT PERMISSION FROM AMPHENOL CANADA CORP.

UNLESS OTHERWISE SPECIFIED DIMENSIONS ARE IN MILLIMETERS TOLERANCES ARE: DECIMALS ANGLES X.X ± 0.38 ± 1° X.XX ± 0.25		APPROVALS		DATE		Amphenol Canada Corp.	
MATERIAL AND FINISH SEE NOTE 1		DRAWN Jane.Z		MAR13/09		TITLE	
REF.		DESIGNED				1XN SFP+ CAGE SPRINGFINGER EMI, WITH LIGHT PIPE	
CODE IDENT. NO. 03554		CHECKED J.SI		MAR25/09		SIZE DWG. NO. P-U77-CX61M-X081 REV. C	
		QA APPD				SCALE 3:1 PROJECT SHEET 7 OF 11	
		IE APPD					
		DWG APPD A.G		MAR25/09			

- NOTES:  
 1. DATUM AND BASIC DIMENSIONS ESTABLISHED BY CUSTOMER.  
 2. PADS AND VIAS ARE CHASSIS GROUND.  
 3. THRU-HOLES, PLATING OPTIONAL.  
 4. SEE DRAWINGS P-UX76-A20-X00XX FOR CONNECTOR LAYOUT.

REVISIONS				
REV.	ECN/E-R	DESCRIPTION	DATE	APPROVED
A		PROPOSAL	MAR25/09	
B		UPDATED	APR21/09	
C		B-B APPLICATIONS ADDED	MAY25/09	



**RECOMMENDED PCB DESIGN  
 FOR SINGLE SIDE MOUNTING  
 (P/N U77-C461M-X081)**

**DO NOT SCALE DRAWING**

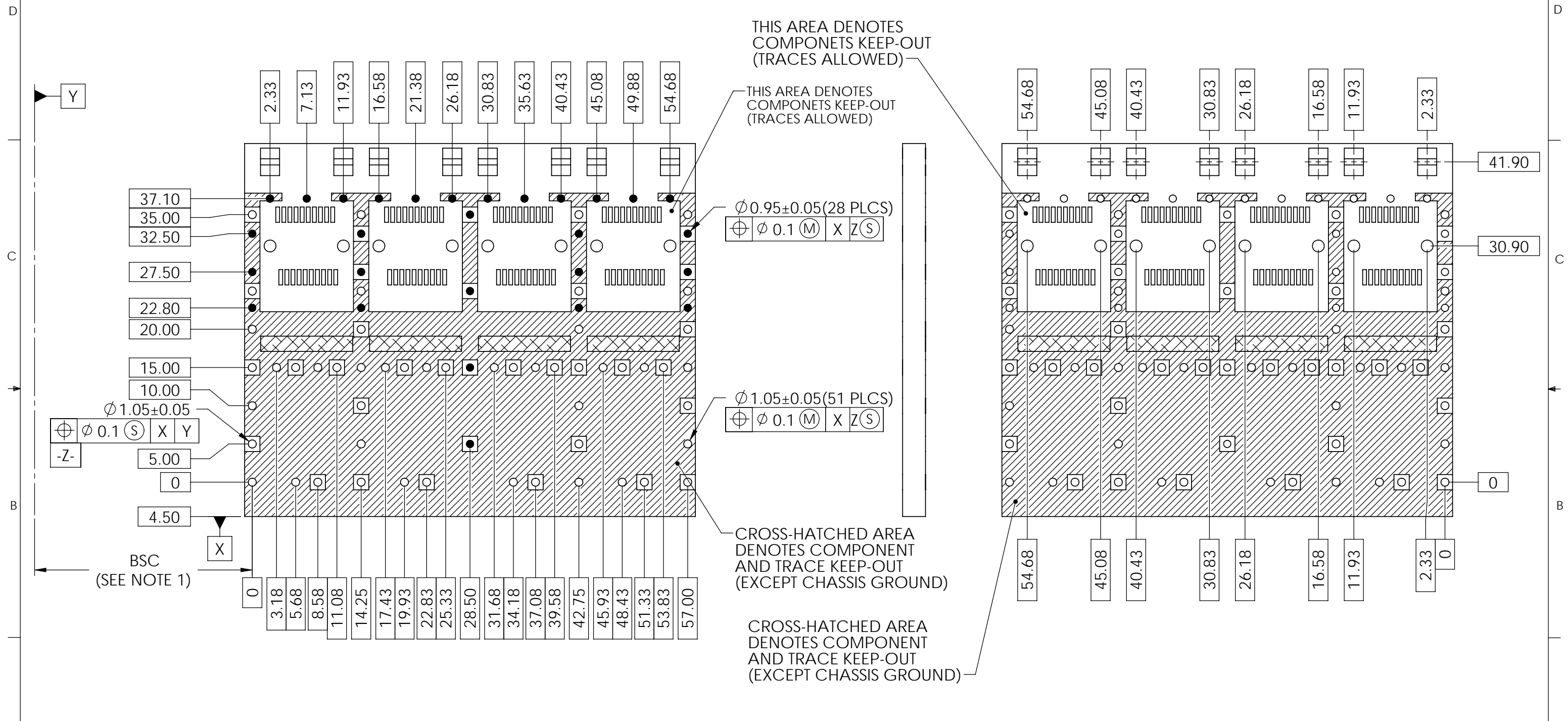
THIS DOCUMENT CONTAINS PROPRIETARY INFORMATION AND SUCH INFORMATION MAY NOT BE DISCLOSED TO OTHERS FOR ANY PURPOSE OR USED FOR MANUFACTURING PURPOSES WITHOUT PERMISSION FROM AMPHENOL CANADA CORP.

UNLESS OTHERWISE SPECIFIED DIMENSIONS ARE IN MILLIMETERS TOLERANCES ARE:  DECIMALS      ANGLES X.X ± 0.38      ± 1° X.XX ± 0.25	<b>APPROVALS</b>		<b>DATE</b>	<b>Amphenol Canada Corp.</b>  TITLE <b>1XN SFP+ CAGE SPRINGFINGER EMI, WITH LIGHT PIPE</b>
	DRAWN	Jane.Z	MAR13/09	
	DESIGNED			
	CHECKED	J.SI	MAR25/09	
MATERIAL AND FINISH SEE NOTE 1	QA APPD			SIZE A3
REF.	IE APPD			DWG. NO P-U77-CX61M-X081
CODE IDENT. NO. 03554	DWG APPD A.G	MAR25/09	SCALE 1:1	PROJECT
				REV. C
				SHEET 8 OF 11



- NOTES:  
 1. DATUM AND BASIC DIMENSIONS ESTABLISHED BY CUSTOMER.  
 2. PADS AND VIAS ARE CHASSIS GROUND.  
 3. THRU-HOLES, PLATING OPTIONAL.  
 4. SEE DRAWINGS P-UX76-A20-X00XX FOR CONNECTOR LAYOUT.

REVISIONS				
REV.	ECN/E-R	DESCRIPTION	DATE	APPROVED
A		PROPOSAL	MAR25/09	
B		UPDATED	APR21/09	
C		B-B APPLICATIONS ADDED	MAY25/09	



**RECOMMENDED PCB DESIGN FOR BELLY TO BELLY MOUNTING**

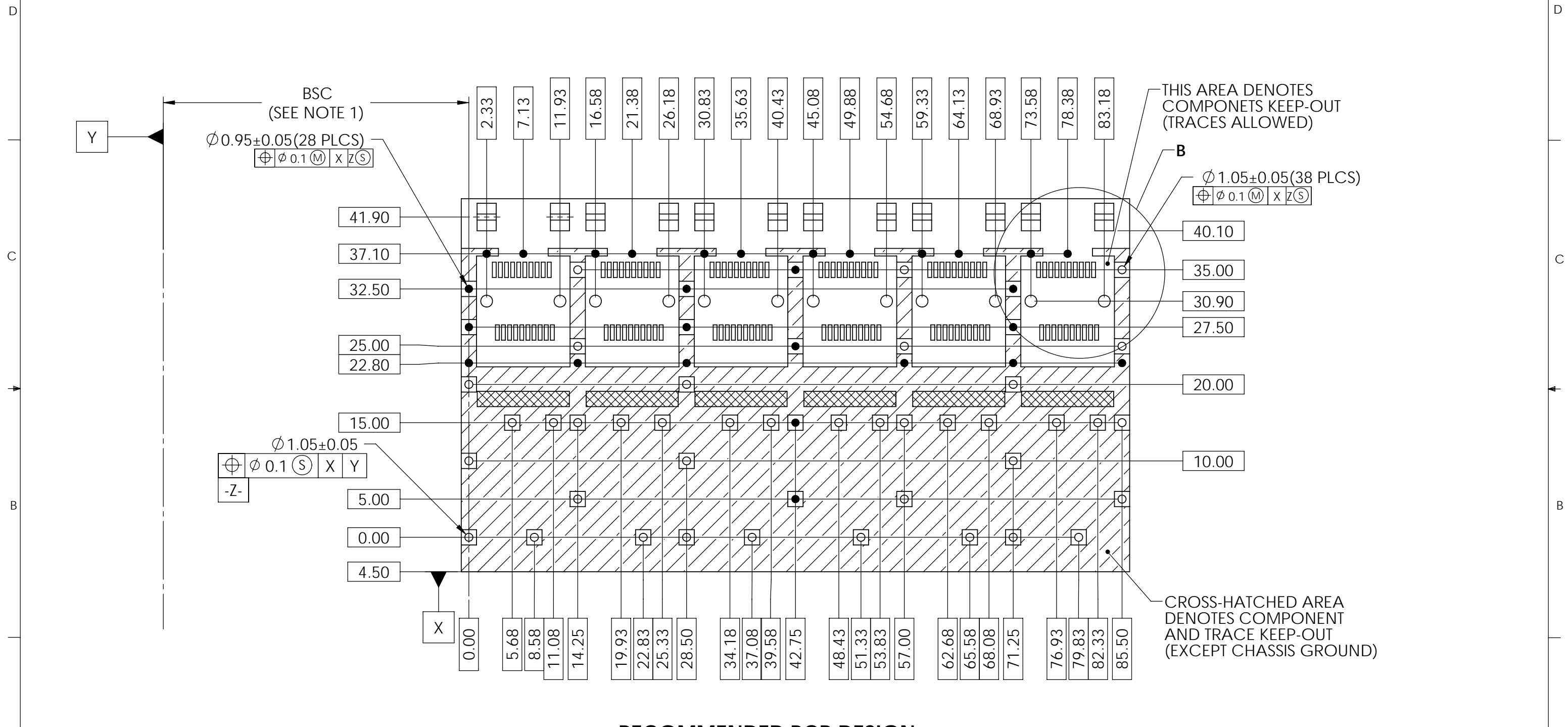
DO NOT SCALE DRAWING

THIS DOCUMENT CONTAINS PROPRIETARY INFORMATION AND SUCH INFORMATION MAY NOT BE DISCLOSED TO OTHERS FOR ANY PURPOSE OR USED FOR MANUFACTURING PURPOSES WITHOUT PERMISSION FROM AMPHENOL CANADA CORP.

UNLESS OTHERWISE SPECIFIED DIMENSIONS ARE IN MILLIMETERS TOLERANCES ARE: DECIMALS X.X ± 0.38 X.XX ± 0.25 MATERIAL AND FINISH SEE NOTE 1 REF. CODE IDENT. NO. 03554		APPROVALS DRAWN Jane.Z DESIGNED CHECKED J.SI QA APPD IE APPD DWG APPD A.G	DATE MAR13/09 MAR25/09 MAR25/09	Amphenol Canada Corp. TITLE 1XN SFP+ CAGE SPRINGFINGER EMI, WITH LIGHT PIPE SIZE A3 DWG. NO. P-U77-CX61M-X081 SCALE 2:1 PROJECT SHEET 9 OF 11
---	--	---	--	--

- NOTES:  
 1. DATUM AND BASIC DIMENSIONS ESTABLISHED BY CUSTOMER.  
 2. PADS AND VIAS ARE CHASSIS GROUND.  
 3. THRU-HOLES, PLATING OPTIONAL.  
 4. SEE DRAWINGS P-UX76-A20-X00XX FOR CONNECTOR LAYOUT.

REVISIONS				
REV.	ECN/E-R	DESCRIPTION	DATE	APPROVED
A		PROPOSAL	MAR25/09	
B		UPDATED	APR21/09	
C		B-B APPLICATIONS ADDED	MAY25/09	



**RECOMMENDED PCB DESIGN  
 FOR SINGLE SIDE MOUNTING  
 (P/N U77-C661M-X081)**

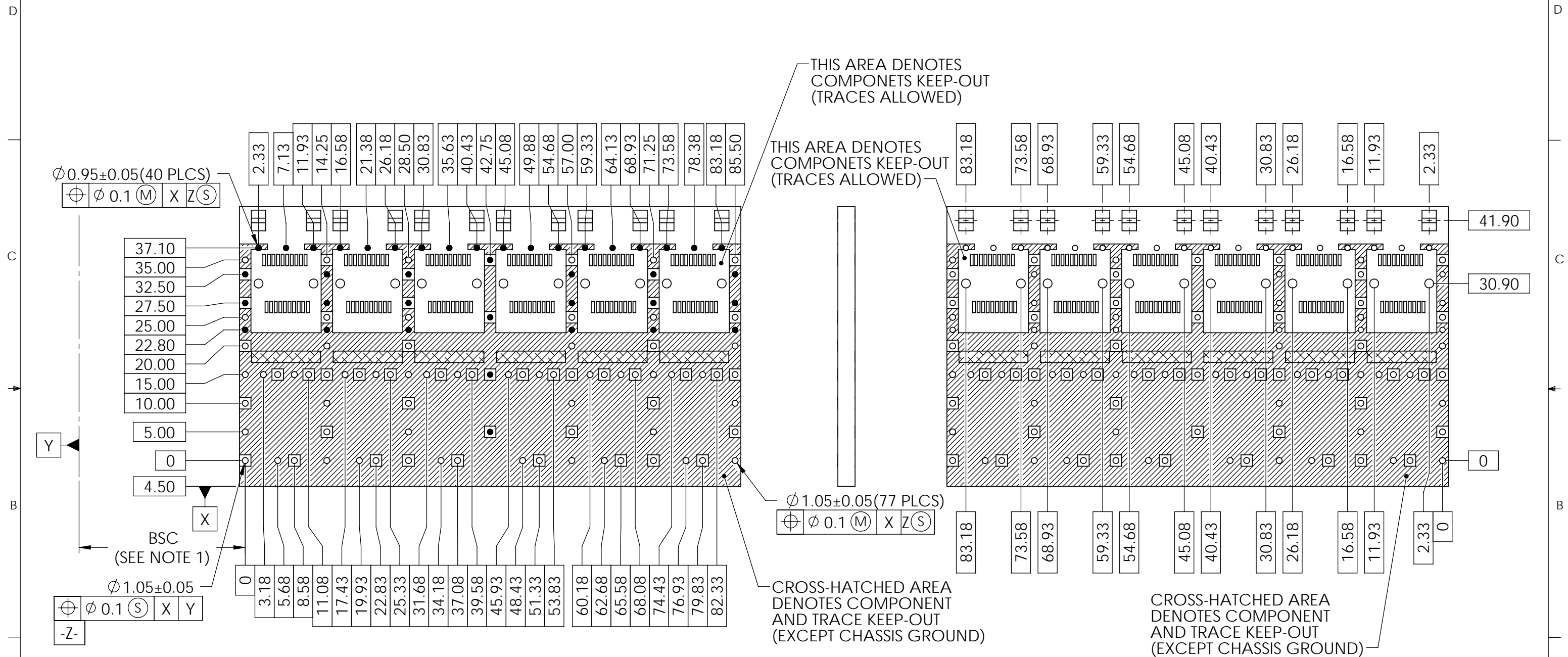
**DO NOT SCALE DRAWING**

THIS DOCUMENT CONTAINS PROPRIETARY INFORMATION AND SUCH INFORMATION MAY NOT BE DISCLOSED TO OTHERS FOR ANY PURPOSE OR USED FOR MANUFACTURING PURPOSES WITHOUT PERMISSION FROM AMPHENOL CANADA CORP.

UNLESS OTHERWISE SPECIFIED DIMENSIONS ARE IN MILLIMETERS TOLERANCES ARE: DECIMALS ANGLES X.X ± 0.38 ± 1° X.XX ± 0.25		<b>APPROVALS</b>		<b>DATE</b>		Amphenol Canada Corp.	
MATERIAL AND FINISH SEE NOTE 1		DRAWN Jane.Z		MAR13/09			
REF.		DESIGNED				TITLE	
CODE IDENT. NO. 03554		CHECKED J.SI		MAR25/09		SIZE A3	
		QA APPD				DWG. NO. P-U77-CX61M-X081	
		IE APPD				REV. C	
		DWG APPD A.G		MAR25/09		SCALE 1:1	
						PROJECT	
						SHEET 10 OF 11	

- NOTES:  
 1. DATUM AND BASIC DIMENSIONS ESTABLISHED BY CUSTOMER.  
 2. PADS AND VIAS ARE CHASSIS GROUND.  
 3. THRU-HOLES, PLATING OPTIONAL.  
 4. SEE DRAWINGS P-UX76-A20-X00XX FOR CONNECTOR LAYOUT.

REVISIONS				
REV.	ECN/E-R	DESCRIPTION	DATE	APPROVED
A		PROPOSAL	MAR25/09	
B		UPDATED	APR21/09	
C		B-B APPLICATIONS ADDED	MAY25/09	



**RECOMMENDED PCB DESIGN FOR BELLY TO BELLY MOUNTING**

**DO NOT SCALE DRAWING**

THIS DOCUMENT CONTAINS PROPRIETARY INFORMATION AND SUCH INFORMATION MAY NOT BE DISCLOSED TO OTHERS FOR ANY PURPOSE OR USED FOR MANUFACTURING PURPOSES WITHOUT PERMISSION FROM AMPHENOL CANADA CORP.

UNLESS OTHERWISE SPECIFIED DIMENSIONS ARE IN MILLIMETERS TOLERANCES ARE:  DECIMALS      ANGLES X.X ± 0.38      ± 1° X.XX ± 0.25	<b>APPROVALS</b>		<b>DATE</b>	<b>Amphenol Canada Corp.</b>  TITLE <b>1XN SFP+ CAGE SPRINGFINGER EMI, WITH LIGHT PIPE</b>
	DRAWN	Jane.Z	MAR13/09	
	DESIGNED			
	CHECKED	J.SI	MAR25/09	
MATERIAL AND FINISH SEE NOTE 1	QA APPD			SIZE A3
REF.	IE APPD			DWG. NO P-U77-CX61M-X081
CODE IDENT. NO 03554	DWG APPD A.G	MAR25/09	SCALE 3:2	PROJECT
				REV. C
				SHEET 11 OF 11