



# TAI-SAW TECHNOLOGY CO., LTD.

No. 3, Industrial 2nd Rd., Ping-Chen Industrial District,  
Taoyuan, 324, Taiwan, R.O.C.

TEL: 886-3-4690038 FAX: 886-3-4697532

E-mail: [tstsales@mail.taisaw.com](mailto:tstsales@mail.taisaw.com) Web: [www.taisaw.com](http://www.taisaw.com)

## Approval Sheet For Product Specification


Issued Date:

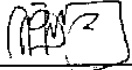
Product Name: SAW IF Filter 447MHz

TST Parts No.: TB0650A

Customer Parts No.: \_\_\_\_\_

Company: _____
Division: _____
Approved by : _____
Date: _____

Checked by: \_\_\_\_\_ Kazuma Lee 

Approval by: \_\_\_\_\_ Francis Chen 

Date: \_\_\_\_\_ 2008/12/08



# TAI-SAW TECHNOLOGY CO., LTD.

No.3, Industrial 2nd Rd., Ping-Chen Industrial District, Taoyuan, Taiwan, R.O.C.

TEL: 886-3-4690038 FAX: 886-3-4697532

E-mail: [tstsales3@mail.taisaw.com](mailto:tstsales3@mail.taisaw.com) Web: [www.taisaw.com](http://www.taisaw.com)

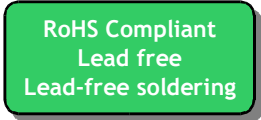
SAW Filter 447MHz 90 MHz BW (SMD 5×5 mm)

MODEL NO.: TB0650A

REV. NO.1

## A. MAXIMUM RATING:

- 1.Storage Temperature: -40°C to 85°C
- 2.Operating Temperature: -20°C to 70°C
3. Input Power Level : 10 dBm



## B. Characteristics :

Item	Unit	Min.	Type.	Max.
Center frequency, Fc	MHz	-	447	-
Insertion Loss 402 to 492 MHz	dB	-	16.1	17.0
Passband Variation 402 to 492 MHz	MHz	-	1.4	3
Relative Attenuation at 358MHz	dB	20	45	-
Relative Attenuation at 498MHz	dB	-	25	-
Temp Coefficient	ppm/K	-	-76	-

### C. Frequency Characteristics:

Wideband Response:(span 300MHz)

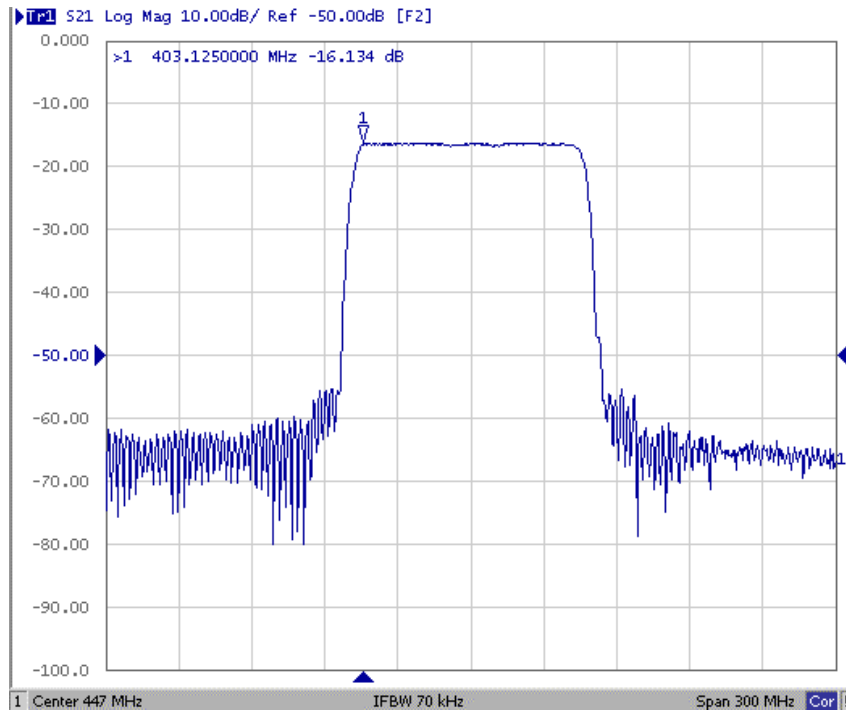


Fig1. Horizontal: 30MHz/Div Vertical: 10dB/Div

Passband Response:(span 100MHz)

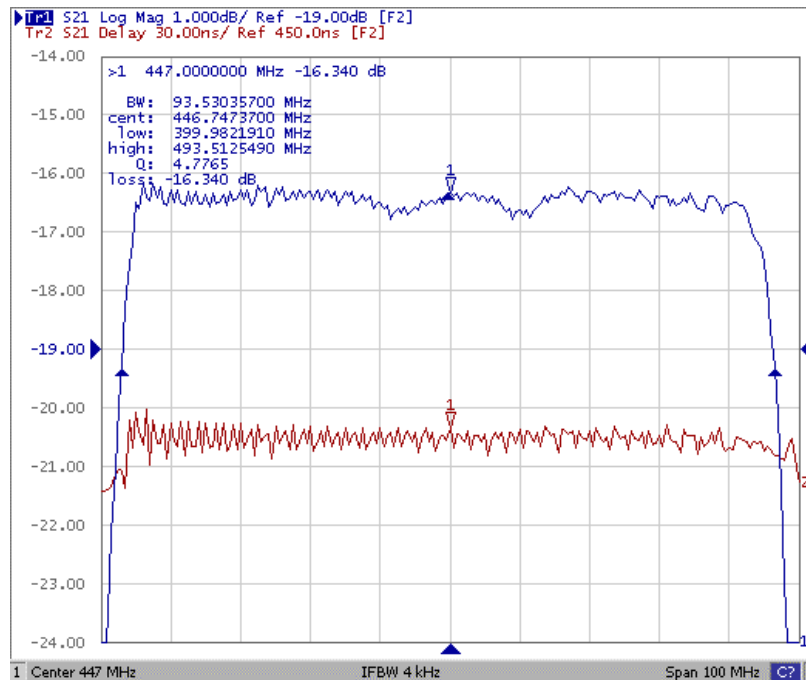
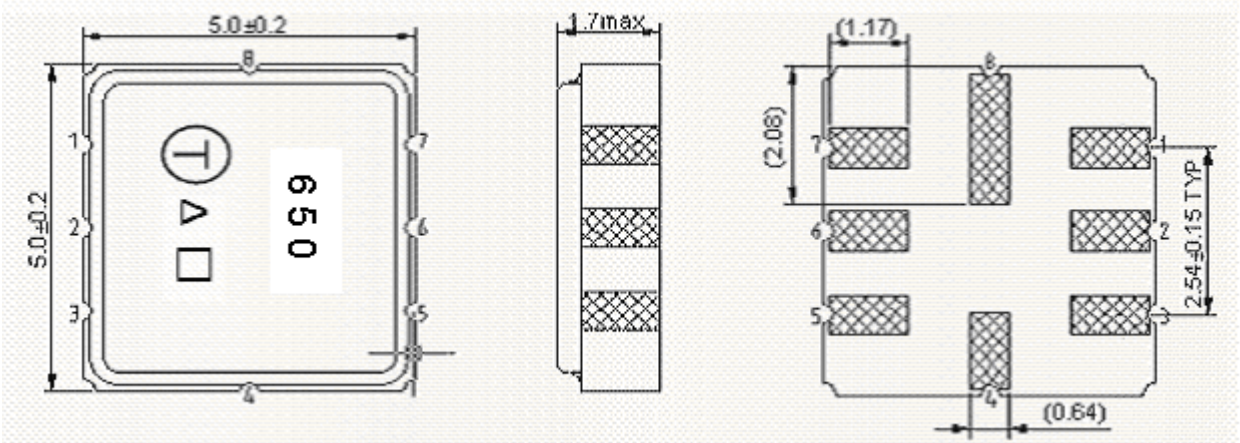


Fig2. Horizontal: 10MHz/Div Vertical 1: 1dB/Div  
Vertical 2: 30nS/Div

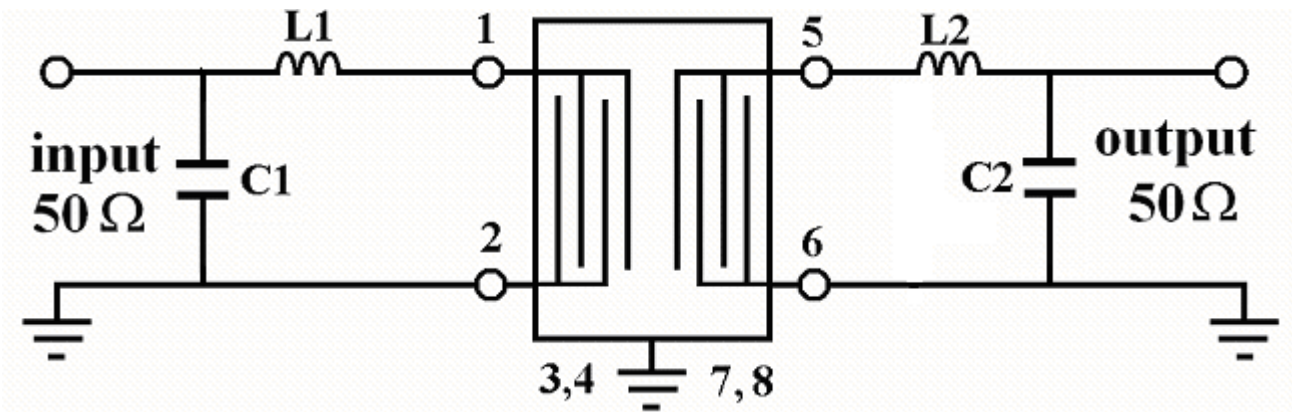
**D. Outline Drawing:**



- #1 –Input
- #2 –Input ground
- #5 – Output
- #6 – Output ground
- #3,4,7,8 – Ground
- : Week Code (Follow the table from planner each year)
- Unit : mm
- △ : Product / Year Code

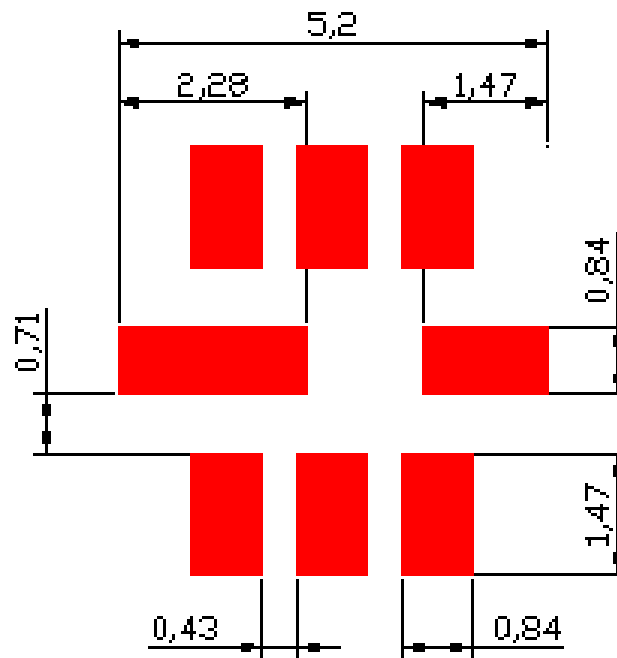
Year	2005 2009	2006 2010	2007 2011	2008 2012
Product Code	B	b	<u>B</u>	<u>b</u>

**E. Matching Circuit: 50 Ohm single ended Input - 50 Ohm single ended Output**



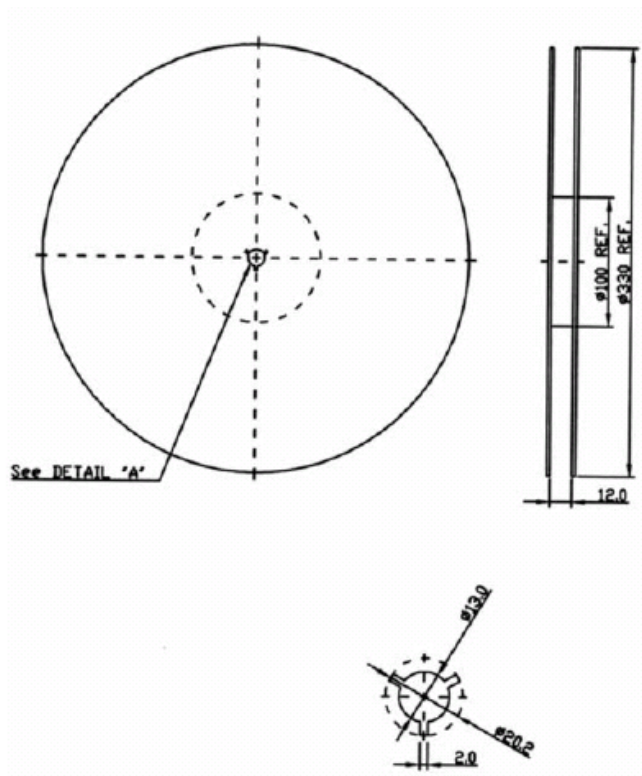
L1=18nH; L2=18nH; C1=6pF; C2=4.7pF

F. PCB Footprint:

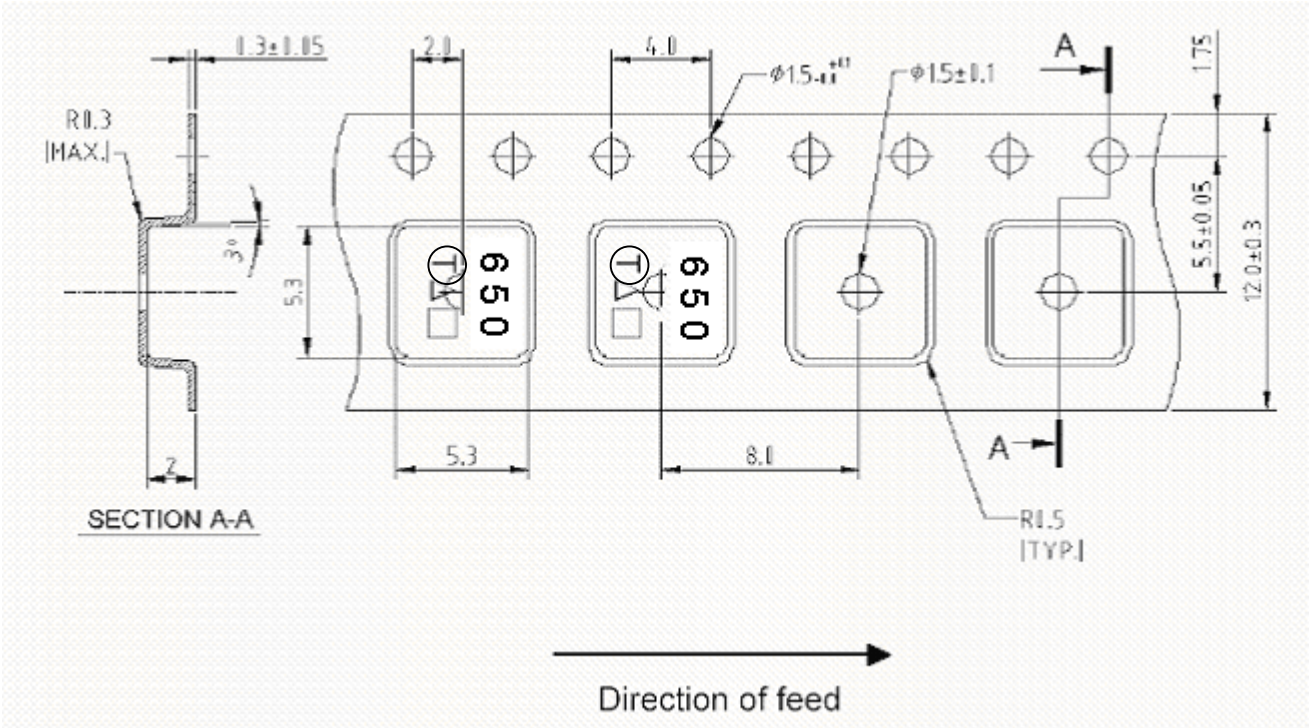


G. PACKING:

1. REEL DIMENSION:



2. TAPE DIMENSION:



H. RECOMMENDED REFLOW PROFILE:

