

THIS DRAWING IS UNPUBLISHED. RELEASED FOR PUBLICATION
 © COPYRIGHT BY TYCO ELECTRONICS CORPORATION. ALL RIGHTS RESERVED.

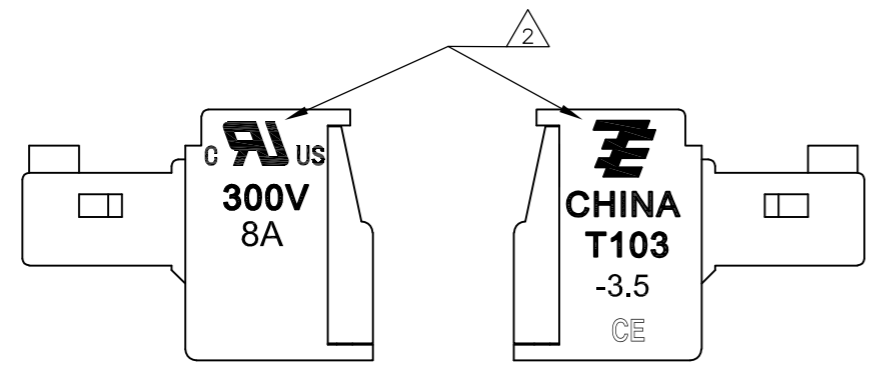
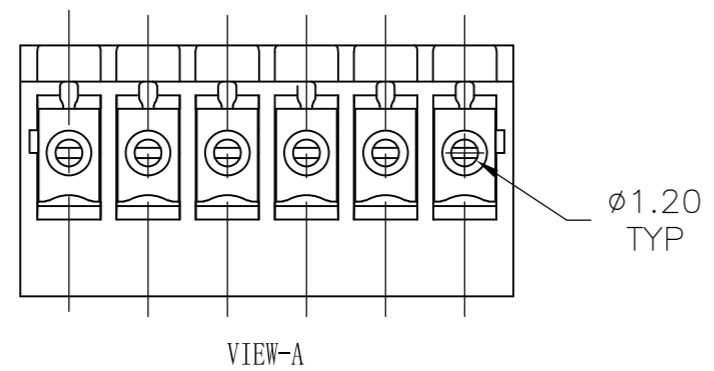
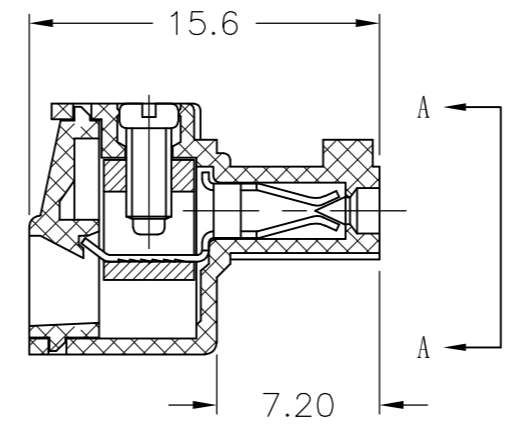
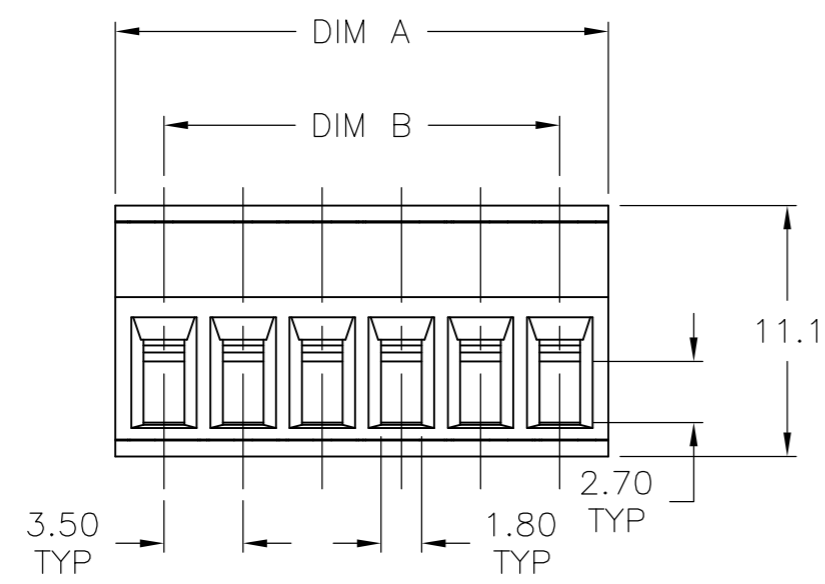
LOC	DIST	REVISIONS			
P	LTR	DESCRIPTION	DATE	DWN	APVD
FT	0	A1	REVISED PER ECO-08-014051	09JUN08	HMR CR

MATERIALS:
 HOUSING: PA66, UL94V-0, GREEN
 CAGE: BRASS, NICKEL PLATED
 CLAMP: PHOS BRONZE, NICKEL PLATED
 SCREW: STEEL, ZIINC PLATED

ELECTRICAL:
 CURRENT RATING: 8A
 VOLTAGE RATING: 300V
 INSULATION RESISTANCE: 5000Mohm/DC1000V
 WITHSTANDING VOLTAGE: AC2000V/1 MIN
 WIRE RANGE: 16-28 AWG

MECHANICAL:
 MAXIMUM SCREW TORQUE: 2.04 kgf.cm
 OPERATING TEMP.: -40°C TO 105°C

- 1 PRELIMINARY PART NUMBER.
- 2 LOGOS TO BE SHOWN APPROXIMATELY AS SHOWN



1	28.00±0.30	32.30±0.30	9	1776952-9
1	24.50±0.30	28.80±0.20	8	1776952-8
1	14.00±0.25	18.30±0.20	5	1776952-5
	10.50±0.25	14.80±0.20	4	1776952-4
1	7.00±0.15	11.30±0.20	3	1776952-3
1	3.50±0.10	7.80±0.20	2	1776952-2
	DIM B	DIM A	NO OF POS	PART NUMBER

DIMENSIONS:		TOLERANCES UNLESS OTHERWISE SPECIFIED:		MATERIAL		FINISH		MATERIAL	
mm									
0 PLC		± -		-		-		-	
1 PLC		± 0.2		-		-		-	
2 PLC		± 0.10		-		-		-	
3 PLC		± -		-		-		-	
4 PLC		± -		-		-		-	
ANGLES		± 1'		-		-		-	
-		-		-		-		-	

THIS DRAWING IS A CONTROLLED DOCUMENT.		DWN	S SCHLEGEL	30MAR2007	Tyco Electronics Corporation		Harrisburg, PA 17105-3608		
DIMENSIONS:		CHK	C RICHARD	3/30/07	NAME		TERMINAL BLOCK, R/A PLUG, 3.50mm PITCH		
TOLERANCES UNLESS OTHERWISE SPECIFIED:		APVD	C RICHARD	3/30/07	PRODUCT SPEC		-		
MATERIAL		APPLICATION SPEC		-		-		-	
FINISH		WEIGHT		-		SIZE	A3	CAGE CODE	00779
-		CUSTOMER DRAWING		SCALE		DRAWING NO	C=1776952		RESTRICTED TO
-		-		NTS		SHEET		1 OF 1	REV
-		-		-		-		A1	