



PRODUCT NUMBER
20020705-XXX1B01LF

20020705-    1 B 0 1 L F

PITCH


POLES

LF: DENOTED RoHS COMPATIBLE

M: 7.62 mm
S: 9.52 mm

02: 2 POLES
03: 3 POLES



PROPERTY TABLE

FCI SERIES NAME	12-762	12-952
PITCH (mm)	7.62	9.52
VOLTAGE RATING (VAC)	300	300
CURRENT RATING (A)	30	30
APPLICABLE WIRE RANGE(AWG)	10~24	10~24
WIRE CROSS SECTION (mm*mm)	6~0.2	6~0.2
WIRE STRIP LENGTH(mm)	6~7	6~7
TORQUE +/-10% (N-m/Lb-in)	1.01/8.9	1.01/8.9
SCREW	M3.5x0.5	M3.5x0.5
WITHSTANDING VOLTAGE (kV)	1.6	1.6
OPERATING TEMP. (°C)	-40~+115	-40~+115
SOLDERING TEMP. (°C)	250±10 (5 sec.)	250±10 (5 sec.)
POLES AVAILABLE	02~03	02~03
SAFETY CERTIFICATE		

NOTES:

- MATERIALS**
1-1 HOUSING: THERMALPLASTIC RESIN, UL 94V-0 RATED, COLOR GREEN.
1-2 SCREW: STEEL, ZINC PLATED.
1-3 CLAMP: BRASS, NICKEL PLATED.
1-4 TERMINAL: COPPER, TIN PLATED.
- PRODUCT SPECIFICATION REFER TO FCI GS-12-625.**
- BOXED PACKAGING,**
DETAILED PRODUCT PACKING SPECIFICATION REFER TO FCI GS-14-1394.
- FCI, SAFETY CERTIFICATE LOGO AND SERIES NAME TO BE SHOWN ON PRODUCT SURFACE.**
- THE PRODUCTS WHERE THE PART NUMBER END IN "LF" MEET THE EUROPEAN UNION DIRECTIVE AND OTHER COUNTRY REGULATIONS AS DESCRIBED IN GS-22-008.
- RECOMENDED SOLDERING PROCESS BY WAVE SOLDER.

		rev	ecn no	dr	date	
TOLERANCES UNLESS OTHERWISE SPECIFIED		A	DG09-0203	BF	062509	
		B	T09-1148	BF	111709	
		C	T09-1152	BF	112609	
LINEAR	X.	±0.5	D	T10-0029	JH	012710
	X.X	±0.30	E	T10-0042	WL	030310
	X.XX	±0.10	-	-	-	-
ANGULAR	X'	±1'	-	-	-	-

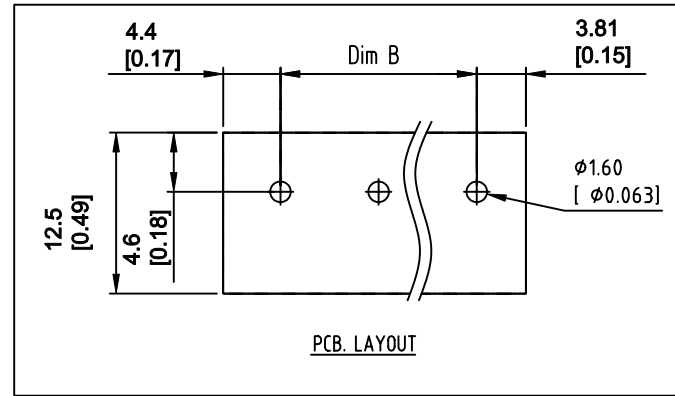
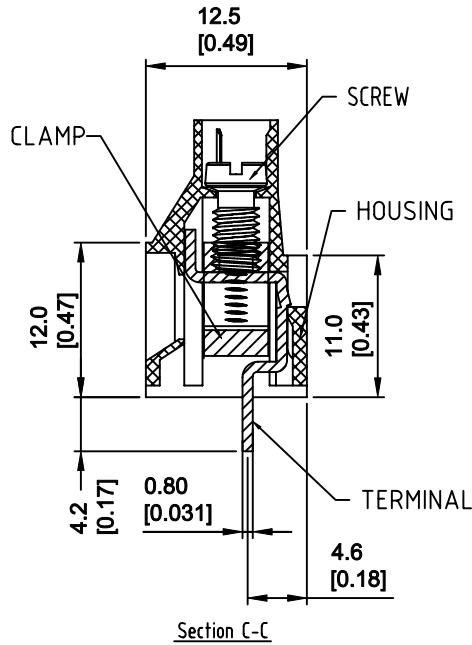
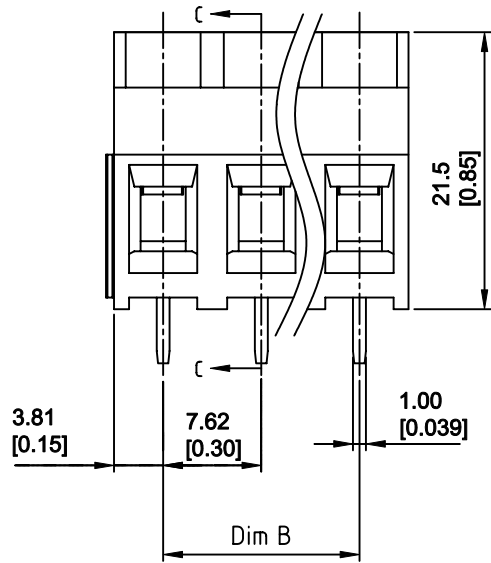
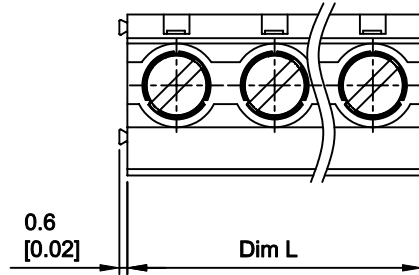
Material	Spec ref	*		
Mat code	✓	tolerance	projection	MM [INCH]
Heattreat				
Plating/Finish			size	Scale
Dr	BEER FU	062509	A4	
Eng	BEER FU	062509	Product family	
Chr	GARY HSIEH	062509	Model Name	ECN T10-0042
Appr	JOSEPH HSIA	062509	Model Revision	REL Level RELEASED
	title	TERMINAL BLOCK Fixed horizontal		Rev. E
Pro/E file	catalog no	dwg no	20020705	sheet 1 of 3
		CUSTOMER		

FCI CONFIDENTIAL



This document is the property of and embodies CONFIDENTIAL and PROPRIETARY information of FCI. No part of the information shown on this document may be used in any way or disclosed to others without the written consent of FCI. Copyright, FCI.

PRODUCT NUMBER	SERIES NAME	PITCH
20020705-MXX1B01LF	12-762	7.62 mm



N = Number of poles
 Dim L = N x 7.62 [0.300]
 Dim B = (N-1) x 7.62 [0.300]

TOL.	Dim L	Dim B
2-3p	±0.15 [0.006]	

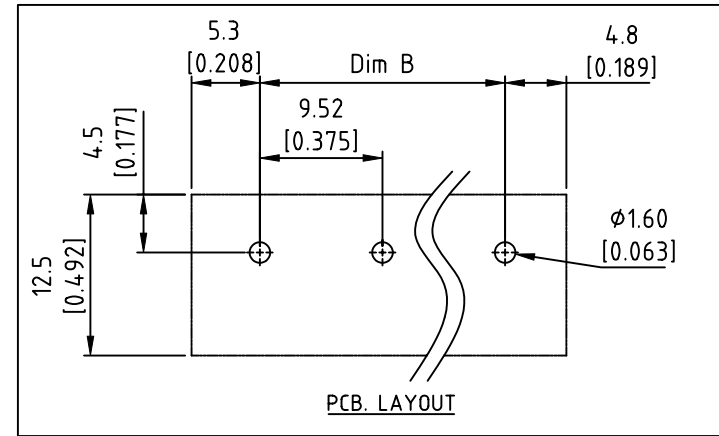
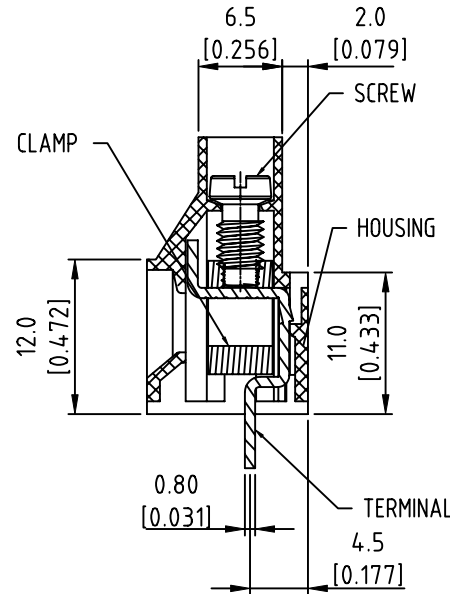
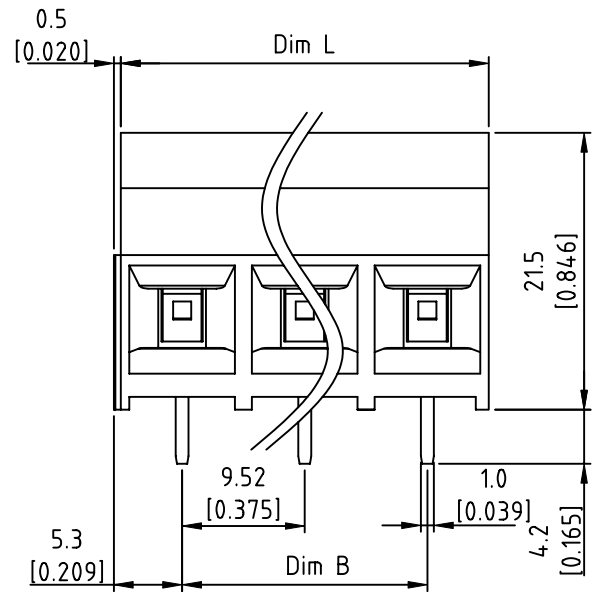
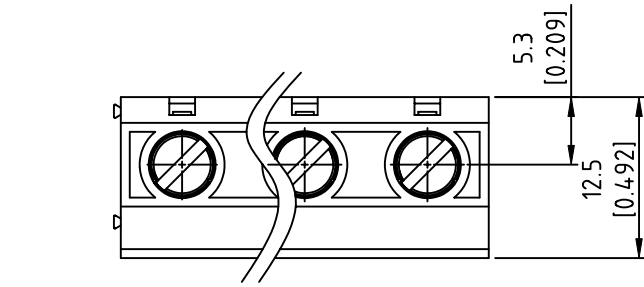
Material		Spec ref		
Mat code		✓	tolerance	projection
Heattreat				MM [INCH]
Plating/Finish				size A4
Dr	BEER FU 062509	Product family		Scale
Eng	BEER FU 062509	Model Name		ECN T10-0042
Chr	GARY HSIEH 062509	Model Revision		REL Level RELEASED
Appr	JOSEPH HSIA 062509	title		dwg no
FCI		TERMINAL BLOCK		20020705
		Fixed horizontal		Rev. E
Pro/E file	catalog no	CUSTOMER		sheet 2 of 3

FCI CONFIDENTIAL



This document is the property of and embodies CONFIDENTIAL and PROPRIETARY information of FCI. No part of the information shown on this document may be used in any way or disclosed to others without the written consent of FCI. Copyright, FCI.

PRODUCT NUMBER	SERIES NAME	PITCH
20020705-SXX1B01LF	12-952	9.52 mm



N = Number of poles
 Dim L = $N \times 9.52 [0.375]$
 Dim B = $(N-1) \times 9.52 [0.375]$

TOL.	Dim L	Dim B
2-3p	$\pm 0.15 [0.006]$	

Material		Spec ref		
Mat code		✓	tolerance	projection
Heattreat				
Plating/Finish				MM [INCH]
Dr	BEER FU 062509		size	A4 Scale
Eng	BEER FU 062509	Product family		
Chr	GARY HSIEH 062509	Model Name		ECN T10-0042
Appr	JOSEPH HSIA 062509	Model Revision		REL Level RELEASED
	title	TERMINAL BLOCK		dwg no
		Fixed horizontal		20020705
Pro/E file	catalog no	CUSTOMER		Rev. E
		sheet 3 of 3		