

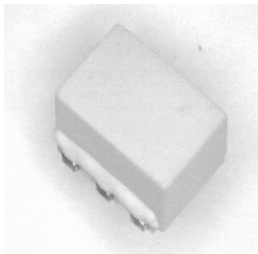
E-Series Surface Mount Mixer

880 – 915 MHz



Features

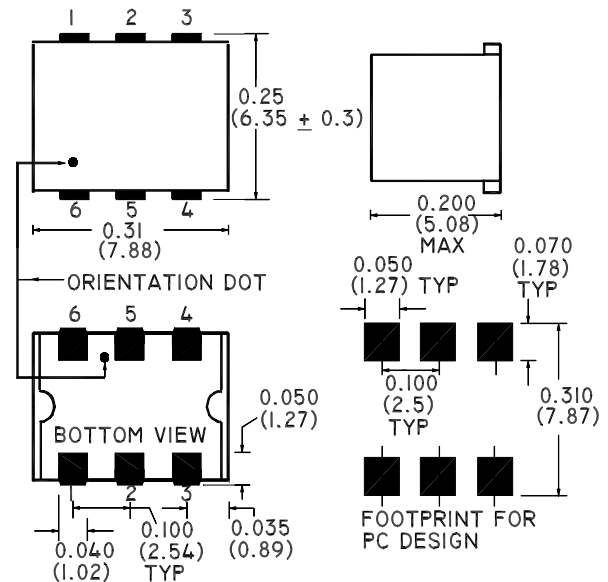
- LO Power +17 dBm
- Up to +13 dBm RF
- Surface Mount



Description

M/A-COM's EMRS-6HX1 is a low drive, surface mount mixer suitable for use in wireless applications.

SM-1 Package



Electrical Specifications @ -10°C - +85°C, Z₀ = 50 Ohms, LO = +17dBm

Parameter	Units	Minimum	Typical	Maximum
Frequency Range				
RF 880 - 915	MHz	—	—	—
LO 1000 - 1130	MHz	—	—	—
IF 150 - 170	MHz	—	—	—
Conversion Loss 880 - 915 MHz	dB	—	5.5	8.0
Isolation (LO - RF)				
Isolation (LO - IF) 1000 - 1130	dB	25	30	—
RF Input for 1dB Compression	dBm	—	—	+13
IIP3	dBm	23	27	—
RF VSWR	—	1.7:1	2.0:1	2.3:1
LO VSWR	—	1.3:1	1.5:1	1.8:1
IF VSWR	—	1.0:1	1.2:1	1.4:1

V1.00 S 0727 G

ADVANCED: Data Sheets contain information regarding a product M/A-COM Technology Solutions is considering for development. Performance is based on target specifications, simulated results, and/or prototype measurements. Commitment to develop is not guaranteed.

PRELIMINARY: Data Sheets contain information regarding a product M/A-COM Technology Solutions has under development. Performance is based on engineering tests. Specifications are typical. Mechanical outline has been fixed. Engineering samples and/or test data may be available. Commitment to produce in volume is not guaranteed.

• **North America** Tel: 800.366.2266 • **Europe** Tel: +353.21.244.6400
 • **India** Tel: +91.80.4155721 • **China** Tel: +86.21.2407.1588
 Visit www.macomtech.com for additional data sheets and product information.

M/A-COM Technology Solutions Inc. and its affiliates reserve the right to make

Absolute Maximum Ratings

Parameter	Absolute Maximum
RF Power	50 mW
Peak IF Current	40 mA
Storage Temperature	-10°C to +85°C
Operating Temperature	-10°C to +85°C
Pin Temperature (10 Seconds)	260°C

Functional Configuration

Function	Pin No.
LO	1
RF	4
IF	5
Ground	2, 3, 6
Case Ground	—
Unconnected	—

V1.00 S 0727 G

ADVANCED: Data Sheets contain information regarding a product M/A-COM Technology Solutions is considering for development. Performance is based on target specifications, simulated results, and/or prototype measurements. Commitment to develop is not guaranteed.

PRELIMINARY: Data Sheets contain information regarding a product M/A-COM Technology Solutions has under development. Performance is based on engineering tests. Specifications are typical. Mechanical outline has been fixed. Engineering samples and/or test data may be available. Commitment to produce in volume is not guaranteed.

• **North America** Tel: 800.366.2266 • **Europe** Tel: +353.21.244.6400
 • **India** Tel: +91.80.4155721 • **China** Tel: +86.21.2407.1588
 Visit www.macomtech.com for additional data sheets and product information.

M/A-COM Technology Solutions Inc. and its affiliates reserve the right to make