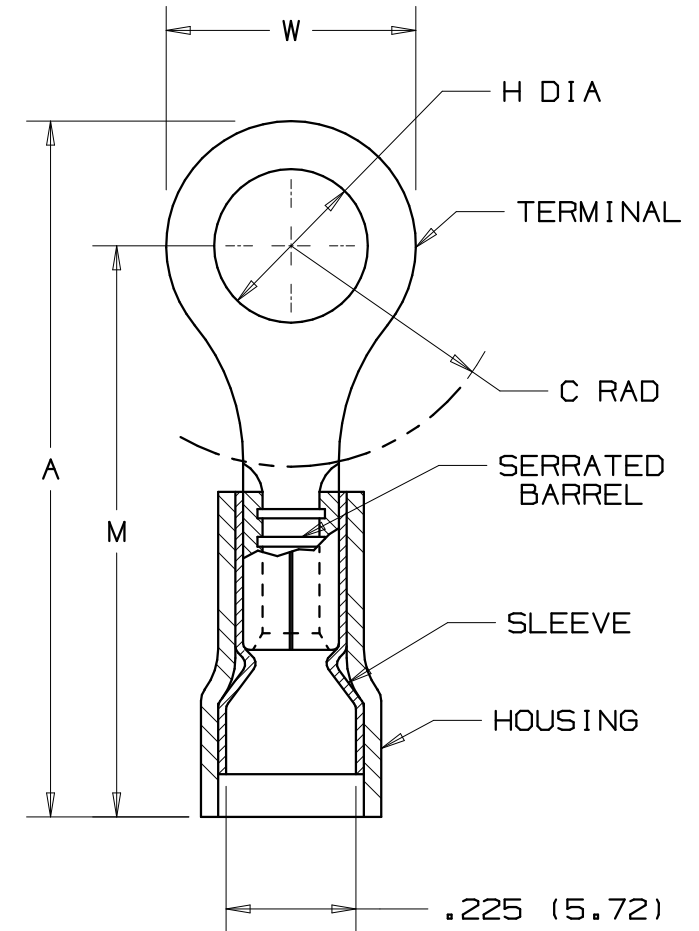


PANDUIT PART NUMBER	MILITARY PART NO. AND CLASS	STUD SIZE	DIMENSIONS in.				
			A ±.04	W ±.01	C MIN	M ±.04	H ±.01
PNF10-6R	MS25036-111 CLASS 1 & 2	#6	1.06 (26.92)	.37 (9.40)	.31 (7.87)	.88 (22.35)	.15 (3.81)
PNF10-8R	MS25036-156 CLASS 1 & 2	#8	1.06 (26.92)	.37 (9.40)	.31 (7.87)	.88 (22.35)	.17 (4.32)
PNF10-10R	MS25036-112 CLASS 1 & 2	#10	1.06 (26.92)	.37 (9.40)	.31 (7.87)	.88 (22.35)	.20 (5.08)
PNF10-14R	MS25036-157 CLASS 1 & 2	1/4"	1.21 (30.73)	.52 (13.21)	.38 (9.65)	.95 (24.13)	.27 (6.86)
PNF10-56R	MS25036-113 CLASS 1 & 2	5/16"	1.21 (30.73)	.52 (13.21)	.38 (9.65)	.95 (24.13)	.34 (8.64)
PNF10-38R	MS25036-114 CLASS 1 & 2	3/8"	1.29 (32.77)	.58 (14.73)	.43 (10.92)	1.00 (25.40)	.40 (10.16)

NOTES:

- UL LISTED AND CSA CERTIFIED FOR:
  - 600V. MAX. BLDG. WIRE (1000V. MAX. IN SIGNS, FIXTURES & LUMINARIES)
  - 221°F. (105°C) MAX. TEMP. RATING
  - #12-10 AWG SOLID OR STRANDED COPPER WIRE WITH THE CT-550 INSTALLATION TOOL
  - #12-10 AWG STRANDED AND #12 AWG SOLID COPPER WIRE WITH THE CT-1550 AND CT-1551 INST. TOOLS
  - #12-10 AWG SOLID OR STRANDED COPPER WIRE WITH THE CT-100 INSTALLATION TOOL.
  - MIL CLASS 2 WITH THE CT-460 INSTALLATION TOOL
- MATERIAL:
  - STAMPING- .04" (1.02) THK. COPPER, TIN PLATED
  - HOUSING- NYLON, YELLOW
  - SLEEVE- BRASS, TIN PLATED
- WIRE STRIP LENGTH- 9/32" +1/32, -0 (7.1, +.8, -0)
- PACKAGE QUANTITY: -L = 50, -D = 500
- DIMENSIONS IN PARENTHESIS ARE IN MILLIMETERS

Panduit part numbers shown on this drawing meet the material requirements of RoHS (EUROPEAN DIRECTIVES 2002/95/EC) as proposed by the Technical Adaptation Committee




LISTED  
587H  
E52164



CERTIFIED  
LR31212

.225 (5.72)  
MAX. WIRE  
INSUL DIA.  
.120 (3.05)  
MIN. WIRE  
INSUL DIA.

A41277\_06

06	8/06	DAW	DAW	ADDED MILITARY PART NO. & CLASS	TRO0155	LCA	TRO	 TINLEY PARK, ILLINOIS #12-10 NYLON INSULATED FUNNELED WIRE ENTRY RING TONGUE, .225 (5.72) MAX. WIRE INSULATION DIAMETER
05	1/01	RM	SKB	FILESPEC WAS N41277AA_PCD_04	08933	JAC	CCH	
04	5/99	ED		UPDATED "A" & "M" DIM.S, AND MODIFIED DIMENSIONAL TOLERANCES	07666			
03	12/96	JAMB	RLS	ADDED DIM., "MIN. WIRE INSUL DIA. UPDATED NOTES	05431	LA	DBH	
REV	DATE	BY	CHK	DESCRIPTION	ECN #	CUST	PM	DRAWN BY: DAW CHK'D: RLS SCALE: NONE DRAWING NO.: A41277