

IEC Appliance Outlet D, Screw-on Mounting, Front Side, Solder Terminal



D

 70 °C

**Description**

- Panel Mount:
Screw-on mounting, Frontside
- Connector, Pin temperature 70 °C Protection class II
- Solder terminal

Approvals

- VDE License Number: 40011945
- UL License Number: E45115
- CSA License Number: 27324

References

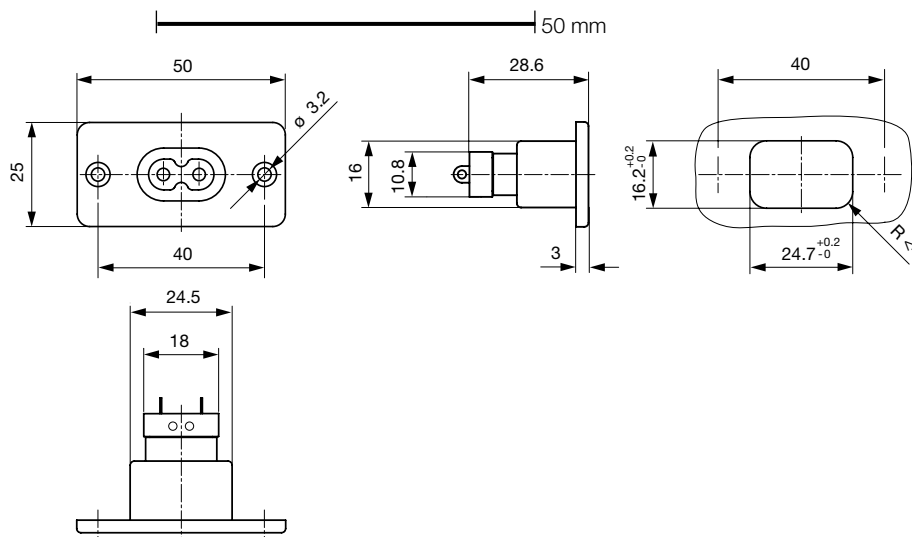
[General Product Information](#)

Weblinks

[Approvals](#), [RoHS](#), [CHINA-RoHS](#), [Mating Connectors](#), [e-Store](#), [Distributor-Stock-Check](#), [Accessories](#)

Technical Data

Ratings IEC	2.5 A / 250 VAC; 50 Hz	Appliance Outlet	D acc. to IEC/EN 60320-2-2
Ratings UL/CSA	4 A / 250 VAC; 60 Hz		UL 498, CSA C22.2 no. 42 (for cold conditions) pin-temperature 70 °C, 2.5 A, Protection Class 2
Dielectric Strength	> 4 kVAC between L-N > 2 kVAC between L/N-PE (1 min/50 Hz)		
Allowable Operation Temp.	-25 °C to 70 °C		
Degree of Protection	from front side IP 20 acc. to IEC 60529		
Protection Class	Suitable for appliances with protection class 2 acc. to IEC 61140		
Material: Housing	UL 94V-0		

Dimensions

length of the terminal please find at the order code configuration table

Config. Code

Product Configurator


5088 - H - A B C 0 - D - E

The characters are placeholders for the correspondingly keys of selections from the key tables.

5088 - H - A B C 0 - D - E = Type

Type	Configuration key
protection class 2	B

5088 - H - A B C 0 - D - E = Terminals

Terminal L	Configuration key
solder terminal 	1

5088 - H - A B C 0 - D - E = Terminals

Terminal N	Configuration key
solder terminal	1

Symbols similar as in table A

5088 - H - A B C 0 - D - E = Terminals

Terminal Ground	Configuration key
without terminal	0

Symbols similar as in table A

5088 - H - A B C 0 - D - E = Color

Color	Configuration key
jet black; RAL9005	A
silver grey; RAL7001	B
pure white; RAL9010	D

standard color: black

5088 - H - A B C 0 - D - E = Style

Style	Configuration key
flange with countersunk holes	1
flange with through holes	2

Variants

Config. Code	Description	Order Number
5088-X-1100-A-1	5088, IEC Appliance Outlet D, 70°C, version: 2, L: solder terminal, N: solder terminal, ground: without terminal, color: jet black; RAL9005, design: flange with countersunk holes, dimension X:	6180.0007

The listed variants should be available from stock Other versions on request www.schurter.com/contact

Packaging unit 50 Pcs

Mating Inlets/Plugs

Category / Description


[Interconnection Cord Overview complete](#)

Interconnection Cord with IEC Plug C, Angled 70°C	2711
Interconnection Cord with IEC Plug C, Angled	2712
Interconnection Cord with IEC Plug C, Straight	2730
Interconnection Cord with IEC Plug C, Straight	2731

[Interconnection Cord further types to 5088](#)