

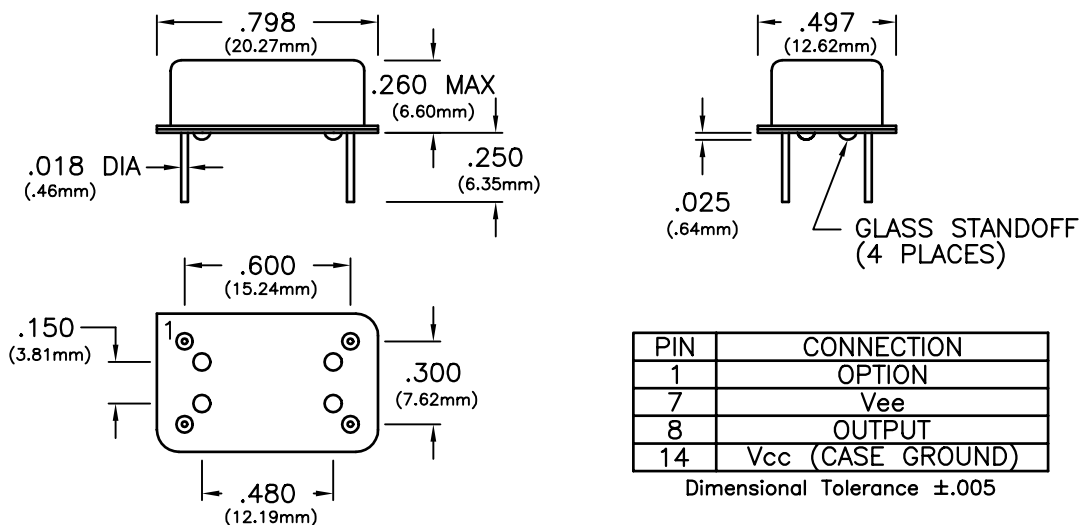


# CONNOR-WINFIELD CORPORATION

AURORA, IL. 60505  
 PHONE (630) 851-4722  
 FAX (630) 851-5040

## 14 PIN DIP ECL

| SPECIFICATIONS  | E01-51*  | E01-52*  | E01-53*                        | E01-54* |
|---|--|--|--------------------------------|---------|
| Frequency Range   | 10MHz to 400MHz  |  |                                |         |
| Frequency Stability   | ±25ppm   | ±50ppm   | ±100ppm                        | ±20ppm  |
|   | (Inclusive of calibration tolerance at 25°C, operating temperature range, input voltage change, load change, aging, shock and vibration) |  |                                |         |
| Temperature Range   | 0°C to +70°C   |  |                                |         |
| Output  | Waveform   | ECL Squarewave, 100K Compatible  |                                |         |
|   | Voltage  | Voh  | -1.025 Minimum , -0.88 Maximum |         |
|   |  | Vol  | -1.81 Minimum , -1.62 Maximum  |         |
|   | Duty Cycle   | 45/55 Maximum measured at 50% level  |                                |         |
|   | Rise/Fall Time   | 1.5nS Maximum  |                                |         |
|   | Jitter   | 10pS rms Maximum   |                                |         |
| Output must be terminated into 50 ohms to -2Vdc referenced to Vcc |  |  |                                |         |
| Supply Voltage  | -5.2Vdc ±5%  |  |                                |         |
| Supply Current  | 85mA Maximum   |  |                                |         |
| Package   | All metal, hermetically sealed, welded package   |  |                                |         |
| Options *   | 0  | Pin 1: No Connection   |                                |         |
|   | 1  | Pin 1: Complementary Output  |                                |         |
|   | 2  | Pin 1: Enable/Disable<br>Enable; Low Level, Vil (-1.60V Max) , Disable; High Level, Vih (-1.02V Min)<br>NOTE: When oscillator is disabled the output is in a low state (vol) |                                |         |
| (add letter to end of model number)                               |  |  |                                |         |



Specifications subject to change without notice

BULLETIN #: EC094  
 PAGE 1 OF 2

REV: 00  
 DATE: 11/27/95

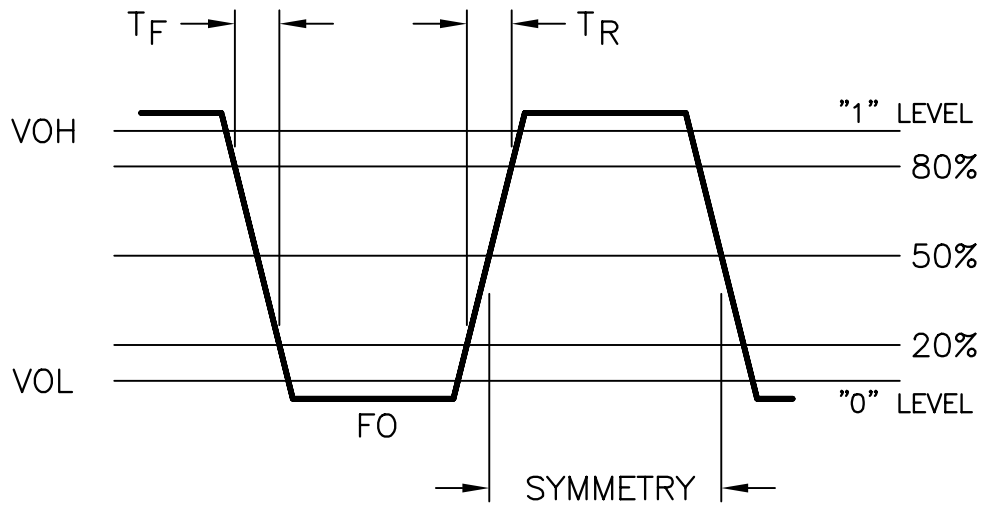
ISSUED BY: \_\_\_\_\_



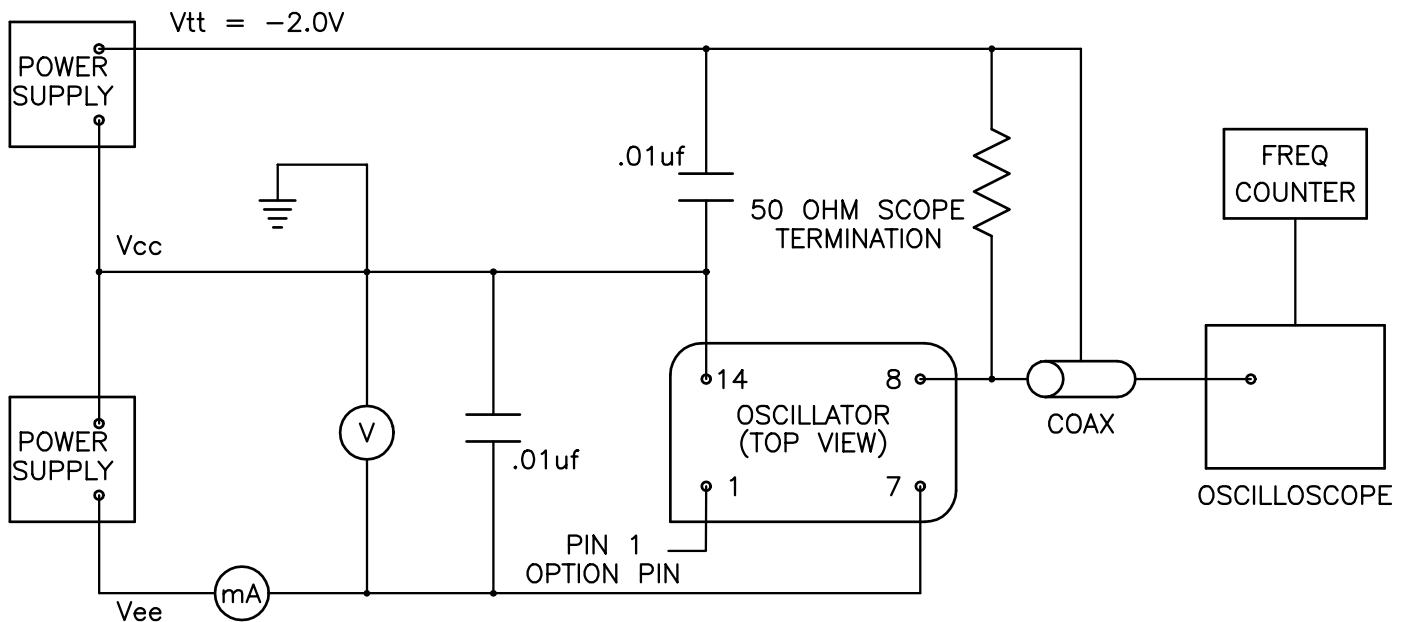
# CONNOR-WINFIELD CORPORATION

AURORA, IL. 60505  
PHONE (630) 851-4722  
FAX (630) 851-5040

## OUTPUT WAVEFORM



## TEST CIRCUIT



Specifications subject to change without notice

BULLETIN #: EC094  
PAGE 2 OF 2

REV: 00  
DATE: 11/27/95

ISSUED BY: \_\_\_\_\_