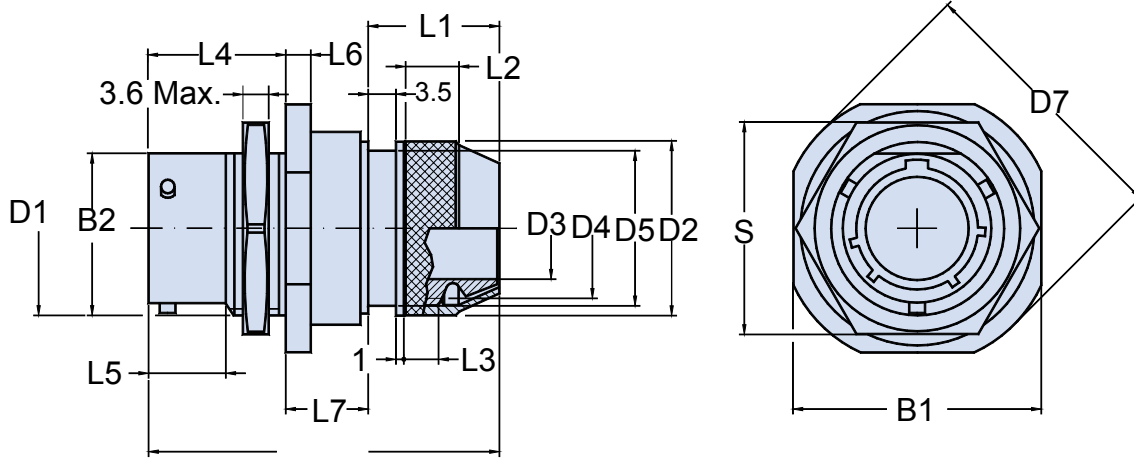
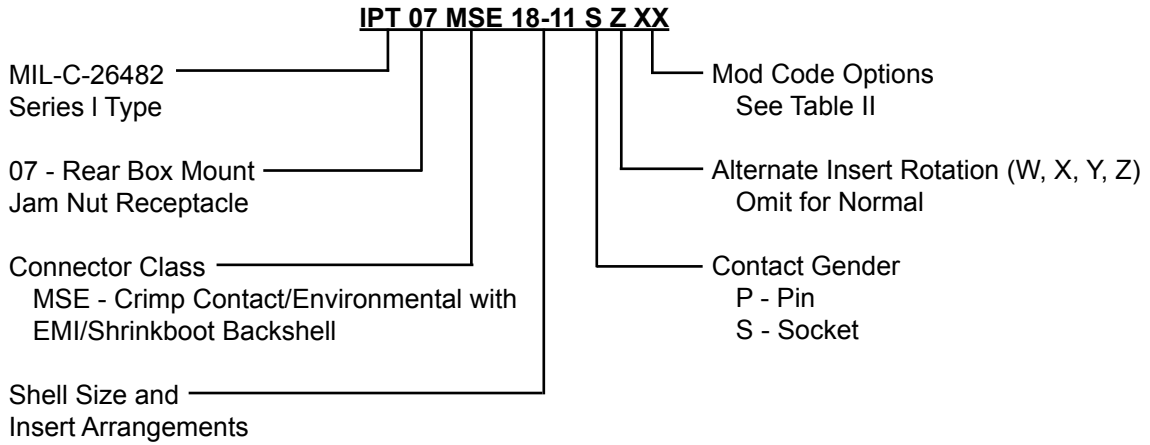


IPT 07 MSE

Rear Panel Mount Jam Nut Receptacle with Backshell

for EMI Shield Termination and Shrink Boot



APPLICATION NOTES

1. Rear panel mount jam nut receptacle with EMI shield termination/shrinkboot Backshell
2. Connector Class "MSE" (crimp contact/environmental).
3. Standard materials configuration consists of aluminum alloy with stainless steel coupling pins.
4. Standard contact material consists of copper alloy with gold plating over nickel.
5. Standard insert is high insulation synthetic rubber.

IPT 07 MSE
Rear Panel Mount Jam Nut Receptacle
with Backshell
for EMI Shield Termination and Shrink Boot



IPT SE Series
Bayonet Lock
Connectors

TABLE I: DIMENSIONS

Shell size	B1 Max.	B2 + 0 - 0.25	D1	D7 + 0 - 0.8	L4 + 0.8 - 0	L5 Min.	L6 ± 0.5	L7 ± 0.8	S ±0.43	Maximum Weight in Grams
8	24.3	13.46	.5625 - 24 UNEF	27.3	17.5	9.75	3.0	12.6	19.05	30
10	27.4	16.64	.6875 - 24 UNEF	30.5	17.5	9.75	3.0	12.6	22.23	35
12	32.2	20.78	.8750 - 20 UNEF	35.3	17.5	9.75	3.0	12.6	26.97	45
14	35.4	23.93	1.0000 - 20 UNEF	38.5	17.5	9.75	3.0	12.6	30.18	55
16	38.6	27.08	1.1250 - 18 UNEF	41.6	17.5	9.75	3.0	12.6	33.32	65
18	41.7	30.25	1.2500 - 18 UNEF	44.8	17.5	9.75	3.0	12.6	36.53	80
20	46.5	33.43	1.3750 - 18 UNEF	49.6	22.3	11.32	3.8	13.7	39.67	105
22	49.7	36.60	1.5000 - 18 UNEF	52.7	22.3	11.32	3.8	13.7	42.88	115
24	52.8	39.78	1.6250 - 18 UNEF	55.9	23.1	12.16	3.8	14.0	46.02	125

TABLE II: MODIFICATION CODES

Shell Finish (Omit for Standard Cad/Olive Drab Finish)	Assembly with Accessories (Omit for Standard Version)
F2 - Bright Nickel Plating (RoHs)	Key Polarization (Omit for N version) W, X, Y, Z = Alternates
F6 - Black Electrodeposited Paint (RoHs)	N0 - Connector Less Backshell
F7 - Black Zn-Co Plating (RoHs)	GXXX - Custom Designed Connector
F8 - Olive Drab Zn-Co Plating	

STANDARD FINISHES (For QQ-A-591 Aluminum Shells)

Requirements	IAW RoHS			Not IAW RoHS	
	F2 Electrolytic Nickel	F6 Black Non Conductive	F7 Black Conductive	G3 Cadmium with Olive Drab Passivation	F8 Zinc Cobalt with Olive Drab Passivation
Thermal Shock	-40°C + 100°C	-55°C + 125°C	-55°C + 125°C	-55°C + 125°C	-40°C + 100°C
Salt Spray After Thermal Shock	24 hour	500 hour	500 hour	500 hour	200 hour
Electical Conductivity	Very Good	NO	Very Good	Very Good	Good
Abrasion Resistance	Very Good	Very Good	Good	Very Good	Good