



TAI-SAW TECHNOLOGY CO., LTD.

No. 3, Industrial 2nd Rd., Ping-Chen Industrial District,
Taoyuan, 324, Taiwan, R.O.C.

TEL: 886-3-4690038 FAX: 886-3-4697532

E-mail: tstsales@mail.taisaw.com Web: www.taisaw.com

Approval Sheet For Product Specification

Issued Date:

Product Name: SAW Filter 800MHz SMD 3.8×3.8mm

TST Parts No.:TA0736A

Customer Parts No.:_____

Company: _____
Division: _____
Approved by : _____
Date: _____

Checked by: _____ Asin Lin

Approval by: _____ Francis Chen

Date: _____ 2007/08/03



TAI-SAW TECHNOLOGY CO., LTD.

No. 3, Industrial 2nd Rd., Ping-Chen Industrial District,
Taoyuan, 324, Taiwan, R.O.C.

TEL: 886-3-4690038 FAX: 886-3-4697532

E-mail: tstsales@mail.taisaw.com Web: www.taisaw.com

SAW Filter 800 MHz

MODEL NO.: TA0736A

REV. NO.: 1

A. MAXIMUM RATING:

1. Input Power Level: 5 dB_m
2. DC voltage: 5 V
3. Operating Temperature: -20°C to 70°C
4. Storage Temperature: -40°C to +85°C

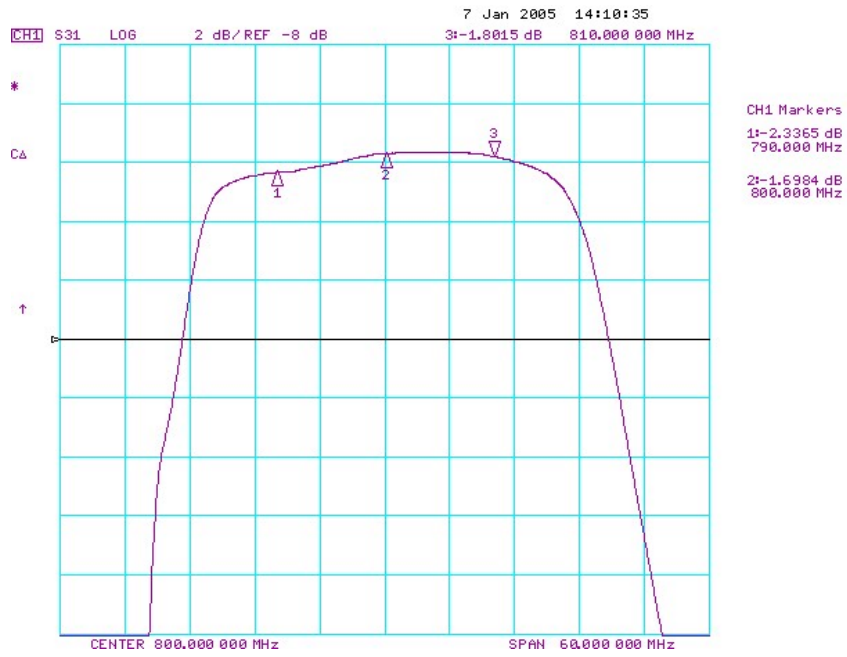
RoHS Compliant
Lead free
Lead-free soldering

B. CHARACTERISTICS:

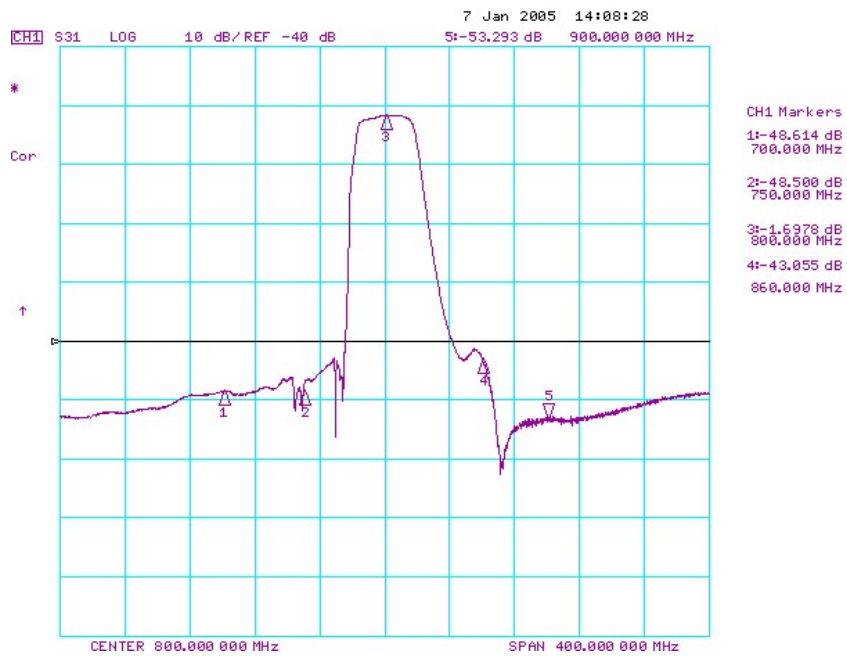
Item				Min.	Typ.	Max.
Center frequency	F _c	MHz		-	800	-
Insertion loss	790 ~ 810 MHz	IL	dB	-	2.6	4.0
Amplitude ripple	790 ~ 810 MHz		dB	-	0.8	2.0
Attenuation (Reference level from 0dB)						
	600 ~ 700	MHz	dB	40	47	-
	700 ~ 750	MHz	dB	30	43	-
	860 ~ 900	MHz	dB	30	43	-
	900 ~ 1000	MHz	dB	38	46	-
Source impedance		Z _S	Ω	-	50	-
Load impedance		Z _L	Ω	-	50	-

Note1. No matching network required for operation at 50Ω

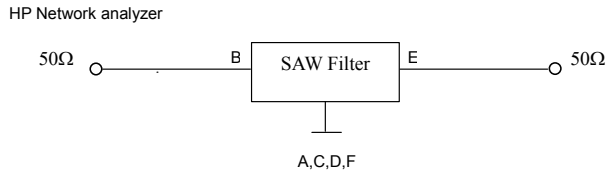
C. Transfer Function :



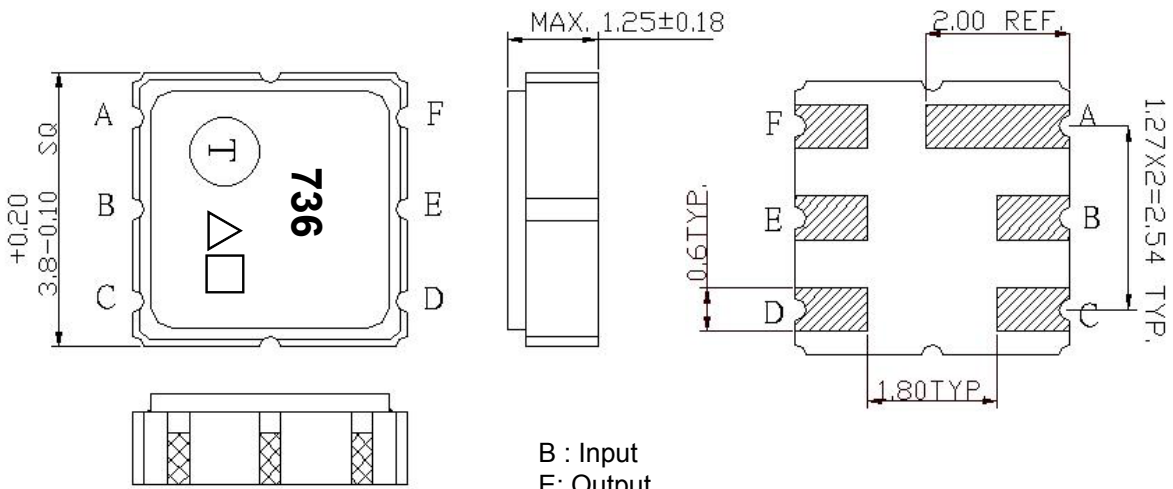
Wideband



D. MEASUREMENT CIRCUIT:



E. OUTLINE DRAWING:

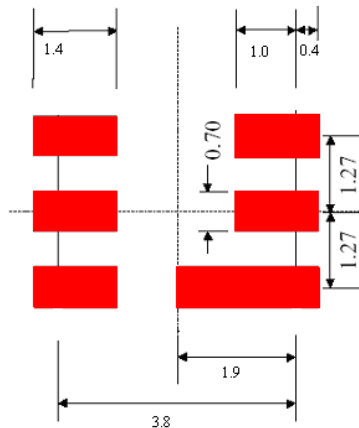


- B : Input
- E: Output
- A,C,D,F Ground
- △:Year Code
- : Date Code(Follow the table provided by planner each year.)
- Unit: mm

△ Product Year Code

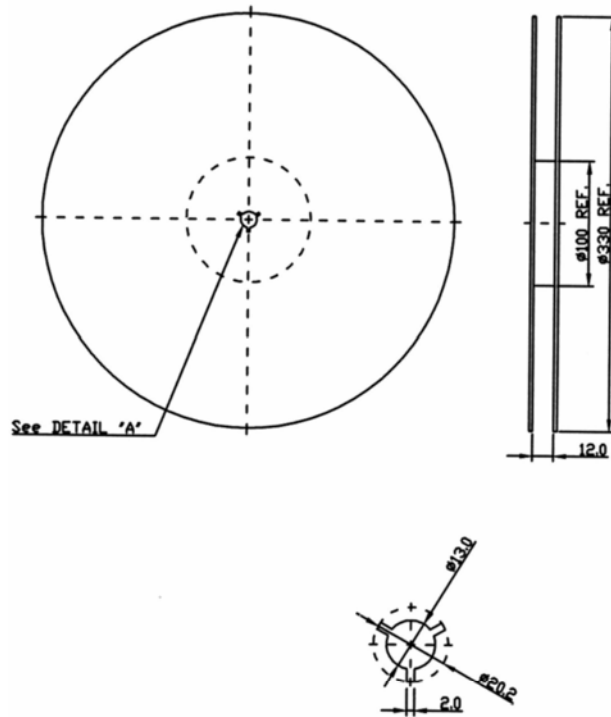
Year	2005 2007 2009	2006 2008 2010
Product Code	A	a

F.PCB FOOTPRINT:

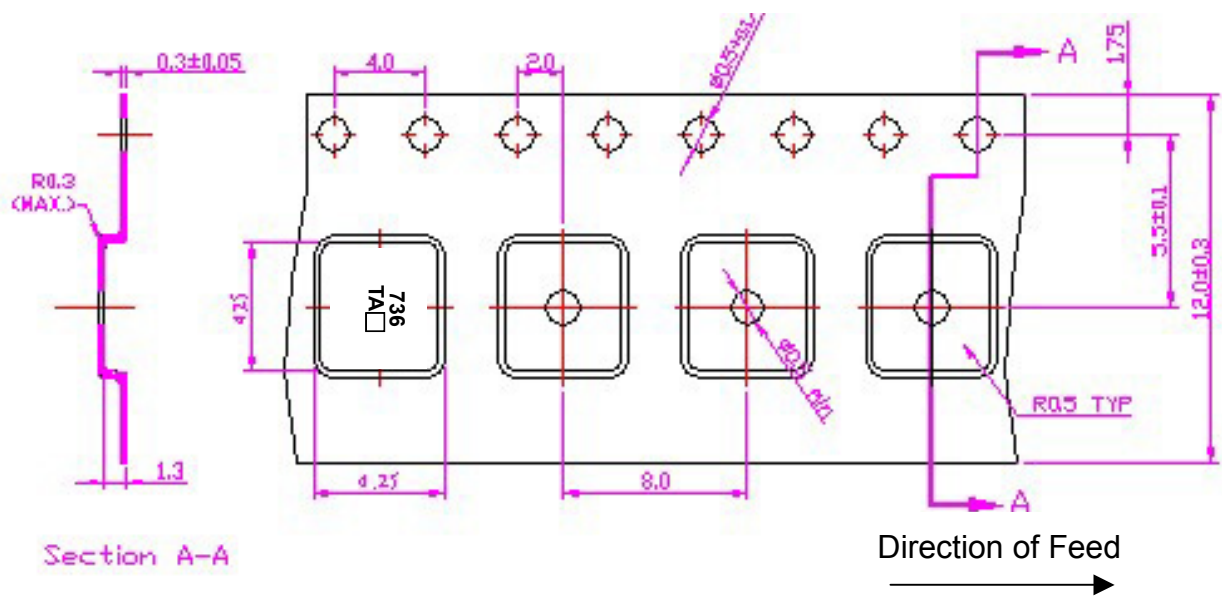


G. PACKING:

1. REEL DIMENSION



2. TAPE DIMENSION



H. REFLOW PROFILE:

