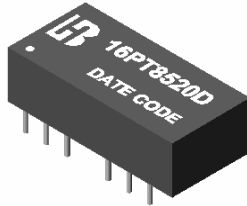


Bothhand USA email:sales@bothhandusa.com http://www.bothhandusa.com
10/100 BASE-T TRANSFORMER
P/N:16PT8520D DATA SHEET

Feature



- Compliant with IEEE 802.3 E and ANSI X3.263 standards including 350uH OCL with 8mA Bias.
- Operating temperature range: 0°C to +70°C.
- Storage temperature range: -25°C to +105°C.

Electrical Specifications @ 25°C						
Part Number	Turn Ratio (±3%)TX/RX	OCL(uH Min) @100KHz/0.1V with 8mA DC Bias	C _{www} (pF Max)	L.L (uH Max)	Rise Time (nS Typ)	HI-POT (Vrms)
16PT8520D	1CT: 1CT	350	28	0.6	2.5	1500

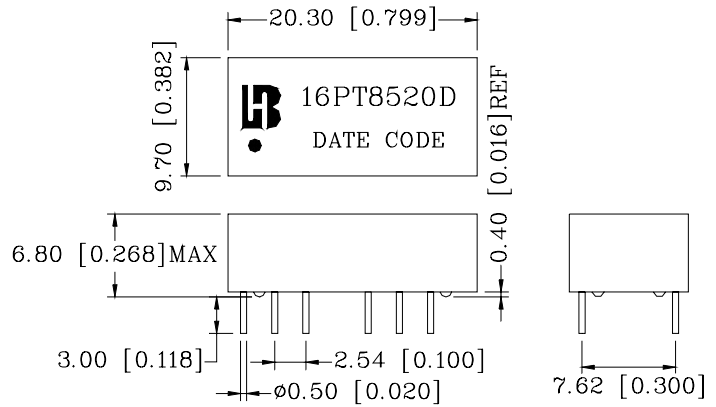
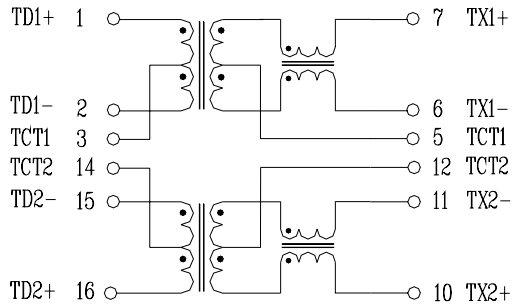
Continue							
Part Number	Insertion Loss (dB Max)	Return Loss (dB Min)				Cross talk (dB Min)	DCMR (dB Min)
		0.3-100MHz	0.5-30MHz	40MHz	50MHz		
16PT8520D	-1.1	-16	-15	-13	-11	-35	-30

Schematic

Mechanical

10/100 BASE-T TRANSFORMER

P/N:16PT8520D DATA SHEET



Units: mm[Inches] Tolerances: xx.x0±0.25[0.010]
0.xx±0.05[0.002]
