



40 PIN SMD ETHERNET 10/100 BASE –TX HIGH SPEED LAN MAGNETICS

P/N: 40SS1041AX LF DATA SHEET

Feature



- IEEE 802.3 Ethernet compatible .
- 100 Base-TX Surface mountable .
- Design for multi-port repeater and Ethernet switching HUB application .
- Customer designs available for specific application.
- Comply with RoHS requirements-whole part No Cd, No Hg, No Cr6+, No PBB and PBDE and No Pb on external pins.
- Comply with Air reflow profile of JEDEC 020C.
- Operating temperature range : 0 to +70 .
- Storage temperature range: -25 to +125 .

Electrical Specifications @ 25°C

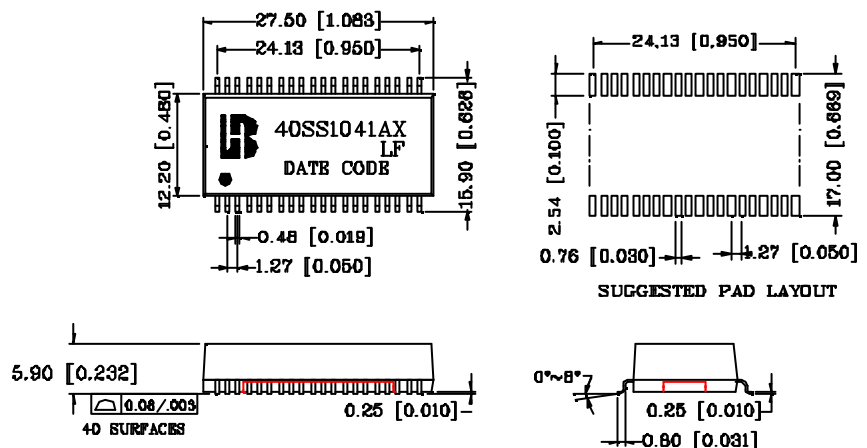
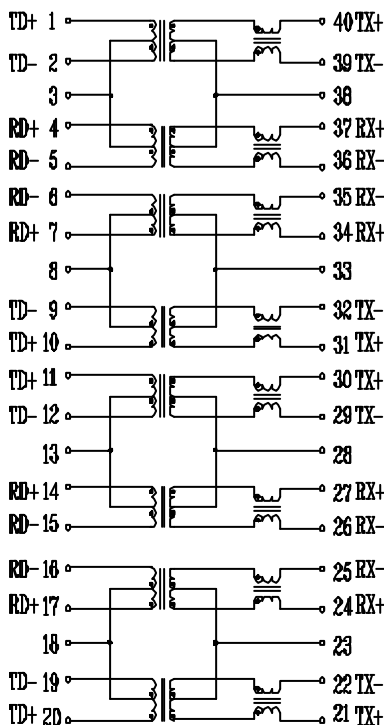
| Part Number | Turns Ratio (±5%) | | OCL(uH Min) @100KHz/0.1V with 8mA DC Bias | L.L (uH Max) | C _{ww} (pF Max) | HI-POT (Vrms) |
|---------------|-------------------|---------|---|-----------------|-----------------------------|------------------|
| | TX | RX | | | | |
| 40SS1041AX LF | 1CT:1CT | 1CT:1CT | 350 | 0.4 | 56 | 1500 |

Continue

| Part Number | Insertion Loss (dB Max) | Return Loss (dB Min) | | | Cross talk (dB Min) | | DCMR (dB Min) | | |
|---------------|----------------------------|-------------------------|-----------|----------|------------------------|-----------|------------------|-------|--------|
| | | 0.3-100MHz | 0.3-30MHz | 30-60MHz | 60-80MHz | 0.3-60MHz | 60-100MHz | 60MHz | 100MHz |
| 40SS1041AX LF | -1.15 | -16 | -12 | -10 | -40 | -35 | -37 | -28 | -25 |

Schematic

Mechanical



Units: mm[Inches] Tolerances: xx.x0±0.25[0.010]
0.xx±0.05[0.002]