



Part Number	Package	Application	Last Modified
835-IF223.936M-A	35.0 x 12.8mm	Base Station & Repeater	Apr 18, 2007

TYPE :  
223.936 MHz Bandpass SAW Filter

PART NUMBER :  
**835-IF223.936M-A**

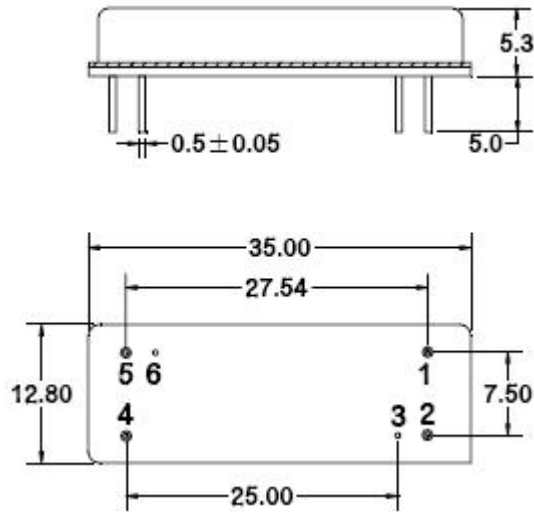


**OPERATING CONDITIONS / ELECTRICAL CHARACTERISTICS**

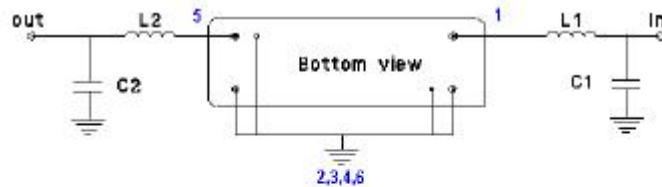
PARAMETERS	Minimum	Typical	Maximum	Units
Center Frequency	-	223.936	-	MHz
Insertion Loss at Fo	-	22.5	25.0	dB
Source Impedance (single ended)*	-	50	-	ohm
Load Impedance (single ended)*	-	50	-	ohm
Bandwidth at -1.0 dB	-	1.72	-	MHz
Bandwidth at -3.0 dB	-	1.89	-	MHz
Bandwidth at -40.0 dB	-	2.55	-	MHz
Ultimate Rejection	50	55	-	dB
Amplitude Ripple	-	0.8	1.2	dBp-p
Group Delay Variation (smo 0.5%)	-	200	-	nsec
Absolute Delay at Fo	-	3.91	-	µsec
Temperature Coefficient	-	-0.03	-	ppm/°C

\*With Matching Network (Reference Testing Environment Circuit as shown) Modify Impedance Values as necessary.

**PACKAGE OUTLINE (mm)**



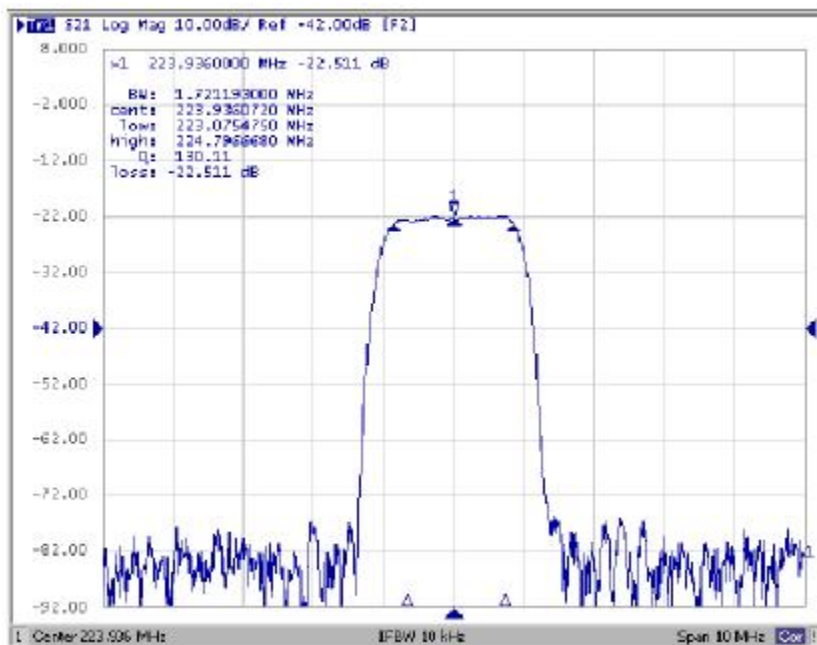
**TEST FIXTURE**



Test Fixture & Values	
Input	L1=12nH , C1=30pF
Output	L2=15nH , C2=36pF

PIN Description IN-1,OUT-5,GROUND-2,3,4,6,Case

## FREQUENCY RESPONSE



**Oscilent Corporation** - CALL **949.252.0522**

**Part No.:** 835-IF223.936M-A

18195 East McDermott Street, Building D, Irvine, CA 92614, USA  
Fax: 949.252.0599, E-Mail: Sales@Oscilent.com