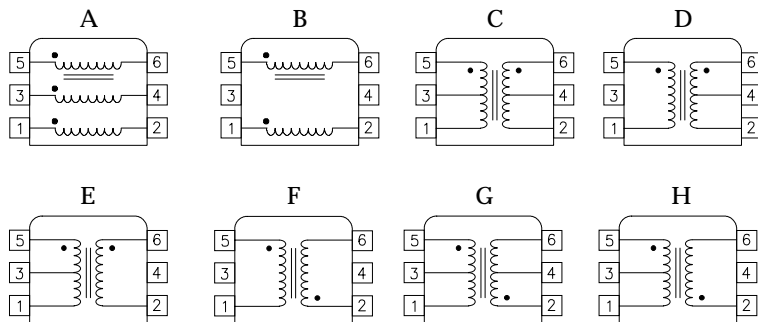


T1/CEPT Transformers

Reinforced Insulation

*** **PRELIMINARY** ***

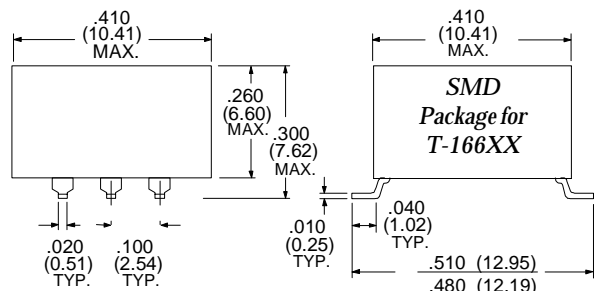
For T1/CEPT Telecom Applications
 Designed to meet CCITT and FCC Requirements
 Reinforced Insulation per EN 41003/EN 60950
 3000 V_{RMS} minimum Isolation.



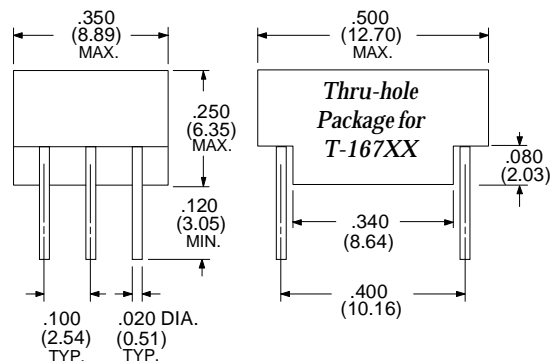
Electrical Specifications ^{1,2} at 25°C

Thru-hole Part Number	SMD Part Number	Turns Ratio (± 5 %)	OCL min. (mH)	PRI-SEC C _{wvw} max. (pF)	Leakage L _L max. (µH)	Pri. DCR max. (Ω)	Sec. DCR max. (Ω)	Schem. Style	Primary Pins
T-16700	T-16600	1:1:1	1.2	25	0.5	0.7	0.7	A	
T-16701	T-16601	1:1:1	2.0	40	0.5	0.7	0.7	A	
T-16702	T-16602	1CT:3CT	1.2	30	0.5	0.7	1.6	C	1-5
T-16703	T-16603	1:1	1.2	25	0.5	0.7	0.7	B	
T-16704	T-16604	1:1CT	0.06	23	.75	0.6	0.6	E	2-6
T-16705	T-16605	1CT:1	1.2	25	0.8	0.7	0.7	E	1-5
T-16706	T-16606	1:1.26CT	0.06	23	0.75	0.6	0.6	E	2-6
T-16710	T-16610	1CT:2CT	1.2	30	0.55	0.7	1.1	C	1-5
T-16711	T-16611	2CT:1CT	2.0	30	1.5	0.7	0.4	C	1-5
T-16712	T-16612	2.53CT:1	2.0	20	1.5	1.0	0.5	E	1-5
T-16713	T-16613	1:1.36	1.2	35	0.8	0.7	0.7	B	5-6
T-16714	T-16614	1:1:1	1.2	40	0.7	0.9	0.9	A	
T-16715	T-16615	1:2CT	1.2	40	0.5	0.7	1.1	E	2-6
T-16716	T-16616	1:2CT	2.0	40	0.5	0.7	1.4	E	2-6
T-16717	T-16617	1:4CT	0.5	40	1.0	0.5	1.5	D	1-5
T-16718	T-16618	1:1.14CT	1.2	35	0.8	0.7	0.8	D	1-5
T-16719	T-16619	1:0.575:0.575	1.5	25	0.8	0.7	0.5	A	5-6
T-16720	T-16620	1:1 / 1.26 ⁽³⁾	1.5	35	0.4	0.7	0.9	E	2-6 ⁽³⁾
T-16721	T-16621	1:0.5:0.5	1.5	25	1.2	0.7	0.5	A	5-6
T-16722	T-16622	1:0.633:0.633	1.5	20	1.1	0.7	0.5	A	5-6
T-16723	T-16623	1:2.3CT	1.2	35	0.8	0.7	1.15	D	1-5
T-16724	T-16624	1:1.36CT	1.2	35	0.8	0.7	0.9	D	1-5
T-16725	T-16625	1CT:1CT	1.2	25	0.8	0.8	0.8	C	
T-16726	T-16626	1:1.15CT	1.5	35	0.6	0.7	0.9	E	2-6
T-16727	T-16627	1CT:2CT	1.2	50	1.1	0.9	1.6	C	2-6
T-16728	T-16628	1:1	1.2	25	0.5	0.7	0.7	F	
T-16729	T-16629	1.37:1	1.2	35	0.8	0.8	0.7	F	1-5
T-16730	T-16630	1CT:1	1.2	35	0.5	0.8	0.8	H	1-5
T-16731	T-16631	1:1.36	1.2	35	0.8	0.8	0.8	F	1-5
T-16732	T-16632	1CT:2CT	1.2	35	0.8	0.8	1.8	G	1-5
T-16733	T-16633	1:1.15CT	1.2	35	0.5	0.8	0.8	H	2-6
T-16734	T-16634	1:1:1.266	1.2	35	0.8	0.8	0.8	A	1-2

- ET-Product of 10 V-µsec min.
- OCL Measured across Primary @ 100 kHz & 20mV
- T-16720: Sec. = Pins 3-5 for 75Ω, Sec. = Pins 1-5 for 120Ω.



Physical Dimensions inches (mm)



Specifications subject to change without notice.

For other values & Custom Designs, contact factory.

T63K