



TAI-SAW TECHNOLOGY CO., LTD.

No. 3, Industrial 2nd Rd., Ping-Chen Industrial District,
Taoyuan, 324, Taiwan, R.O.C.

TEL: 886-3-4690038 FAX: 886-3-4697532

E-mail: ttsales@mail.taisaw.com Web: www.taisaw.com

Approval Sheet For Product Specification

Issued Date:

Product Name: SAW Resonator 303.875MHz

TST Parts No.: TC0140E

Customer Parts No.: _____

Company: _____
Division: _____
Approved by : _____
Date: _____

Checked by: YJ Tien

Approval by: Francis Chen

Date: 1,28,2003



TAI-SAW TECHNOLOGY CO., LTD.

No. 3, Industrial 2nd Rd., Ping-Chen Industrial District,
Taoyuan, 324, Taiwan, R.O.C.

TEL: 886-3-4690038 FAX: 886-3-4697532
E-mail: tstsales@mail.taisaw.com Web: www.taisaw.com

SAW Resonator 303.875 MHz
MODEL NO.: TC0140E

REV. NO.:2

A. FEATURES:

- 1-Port Resonator.

B. MAXIMUM RATING:

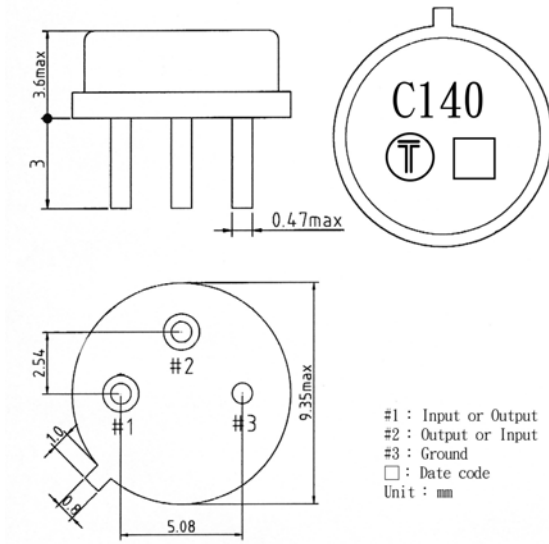
- Power Dissipation: 0 dBm.
- DC voltage: 12 V.
- Storage Temperature: -40 °C to 85 °C.
- Operating Temperature:-40 °C to 85 °C



C. ELECTRICAL CHARACTERISTICS:

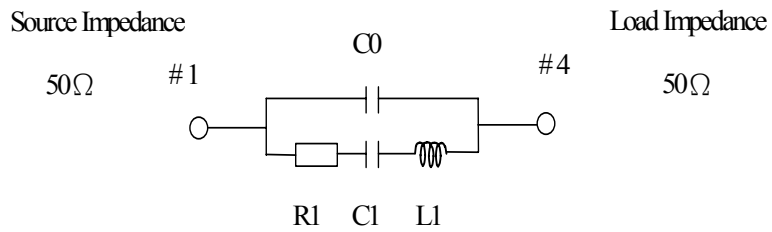
Characteristic	Units	Minimum	Typical	Maximum
Center frequency Fr	MHz	303.800	303.875	303.950
Insertion Loss IL	dB		1.5	2.5
Unloaded Quality factor		6000		
Ageing of Fc	ppm		10	10/year
Equivalent Elements				
Motional capacitance C1	fF		3.080	
Motional inductance L1	μH		89.248	
Motional resistance R1	Ohm		19.596	
Parallel capacitance Co	pF		4.85	
Temp.coeff.	ppm/c*2		0.032	
Turnover To	deg.C		40	
Package size		TO-39		

D.OUTLINE DRAWING:

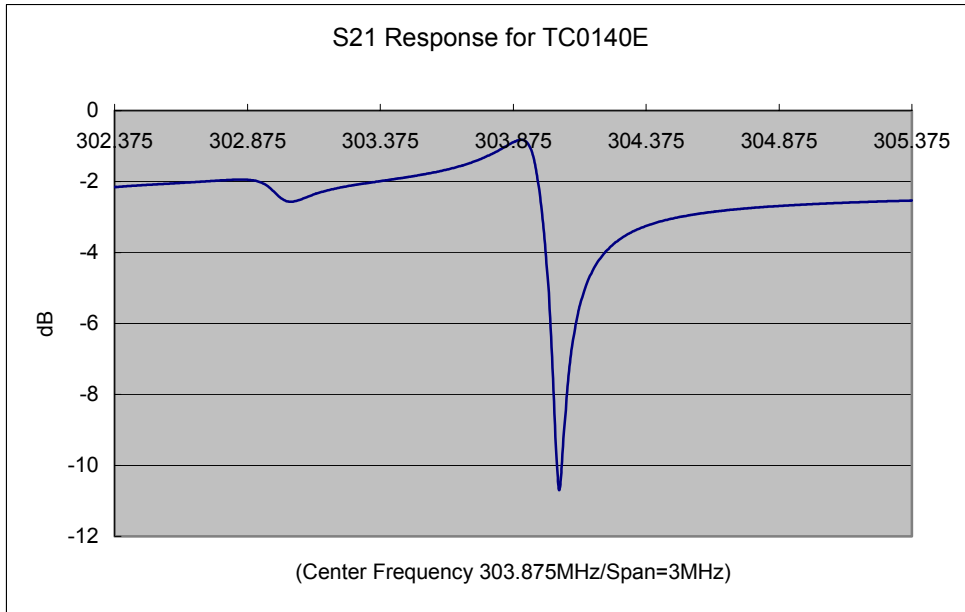


E.EQUIVRENT CIRCUIT:

One-Port Resonator:



F.FREQUENCY CHARACTERISTICS:



G. TEST CIRCUIT:

