

# TPC-1070H

# TPC-870H

10.4" SVGA TFT LCD Celeron® M  
Touch Panel Computer

8" VGA TFT LCD Celeron® M Touch  
Panel Computer



## Features

- Intel® Celeron M 1 GHz processor
- 10.4" SVGA TFT LCD
- Compact design with die-cast housing
- Fanless cooling system
- NEMA4/IP65 compliant front panel
- Supports Microsoft® Windows XP/XPe/CE
- Downward I/O cabling
- Automatic data flow control RS-485
- Dual Fast Ethernet supported



## Introduction

With a high quality TFT LCD display, TPC-1070H/870H is designed with the Intel Celeron® M 1 GHz processor as its core. The Intel Celeron M has low power consumption and 1 GHz operating frequency. This system is fanless although the kernel is powerful. In addition, spindle-free storage makes the TPC-1070H/870H a durable and reliable platform. For applications where spindle-free storage is not critical, a fast-access HDD module can be used. The rich I/O portfolio meets diverse requests.

## Specifications

### General

- **BIOS** Award® 4 MB
- **Certifications** BSMI, CCC, CE, FCC, UL
- **Cooling System** Fanless design
- **Dimensions (W x H x D)** 286 x 226 x 58 mm (11.26" x 8.9" x 2.28")
- **Enclosure** Die-cast Aluminum alloy
- **Mounting** Desktop, Wall or Panel Mount
- **OS Support** Windows XP/XPe/CE\*
- **Power Consumption** TPC-1070H: 41 W (typical)  
TPC-870H: 33 W (typical)
- **Power Input** 18 ~ 32 V<sub>DC</sub>
- **Watchdog Timer** 1 sec (system)
- **Weight (Net)** 3.5 kg (7.72 lbs)

### System Hardware

- **CPU** TPC-1070H-C1E: Intel Celeron M 1 GHz non-cache  
TPC-870H-C1E: Intel Celeron M 1 GHz non-cache
- **Chipset** Intel 852GM + ICH4
- **Memory** 512 MB onboard DDR SDRAM
- **LAN** TPC-1070H-C1E: 10/100Base-T x 2  
TPC-870H-C1E: 10/100Base-T x 2
- **Expansion Slots** PCI-104 x 1
- **Storage** CompactFlash® slot x 1  
2.5" PATA HDD x 1 (optional)
- **I/O** RS-232 x 2 (COM1, 3)  
RS-232/422/485 x 1 (COM4) with auto data flow control  
USB 2.0 x 2  
PS/2 Keyboard/Mouse x 1

### LCD Display

	TPC-1070H	TPC-870H
▪ <b>Display Type</b>	SVGA TFT LCD	VGA TFT LCD
▪ <b>Display Size</b>	10.4"	8"
▪ <b>Max. Resolution</b>	800 x 600	640 x 480
▪ <b>Max. Colors</b>	260 K	64 K
▪ <b>Luminance cd/m<sup>2</sup></b>	400	350
▪ <b>Viewing Angle (H/V°)</b>	140/110	130/120
▪ <b>Backlight Life</b>	50,000 hrs	50,000 hrs
▪ <b>Contrast Ratio</b>	500 : 1	250 : 1

### Touchscreen

- **Lifespan** 1 million touches at single point
- **Light Transmission** Above 75%
- **Resolution** Linearity
- **Type** 8-wire, analog resistive

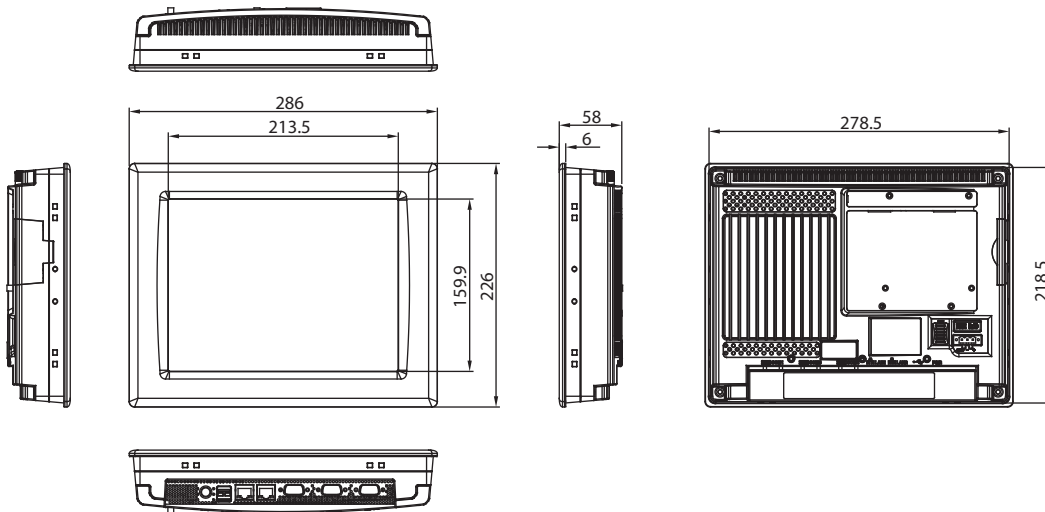
### Environment

- **Humidity** 10 ~ 95% RH @ 40° C, non-condensing
- **Ingress Protection** Front panel: NEMA4, IP65
- **Operating Temperature** 0 ~ 50° C (32 ~ 122° F)
- **Storage Temperature** -20 ~ 60° C (-4 ~ 140° F)
- **Vibration Protection** With HDD: 1 Grms (5 ~ 500 Hz)  
(Operating, random vibration)

## Dimensions

**TPC-1070H**

Unit: mm



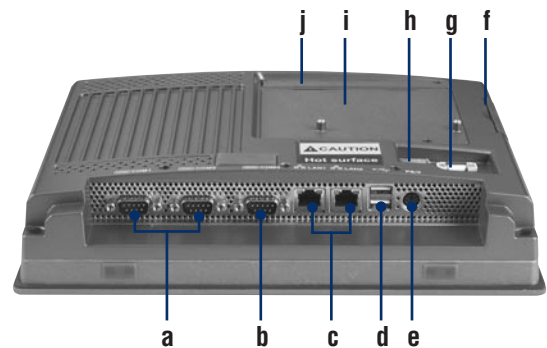
**Panel Cut-out Dimensions: 279.5 x 219.5 mm**

**Notes:** TPC-870H features same dimension with 8" LCD panel

## Ordering Information

- **TPC-1070H-C1E** 10.4" SVGA Touch Panel PC, Celeron M 1 GHz, 512 MB
- **TPC-870H-C1E** 8" VGA Touch Panel PC, Celeron M 1 GHz, 512 MB
- **TPC-1070H-SMKE** TPC-1070H/870H Desktop Stand
- **TPC-1070H-WMKE** TPC-1070H/870H Wallmount Kit
- **TPC-1270H-EPKE** TPC Series PC/PCI-104 Extension Kit
- **PWR-247-AE** 24 V 50 W AC-DC Power Adapter

## Rear View



- |                         |                                 |
|-------------------------|---------------------------------|
| a. COM (RS-232)         | f. CompactFlash                 |
| b. COM (RS-232/422/485) | h. Power Switch, Power Receptor |
| c. LAN (10/100/1000)    | i. HDD Cover                    |
| d. USB 2.0              | g. Fuse (3.15A)                 |
| e. PS/2                 | j. PCI-104                      |

\* Windows XPe supports 10 languages with MUI. (English, Traditional Chinese, Simplified Chinese, French, German, Spanish, Russian, Italian, Japanese and Korean)