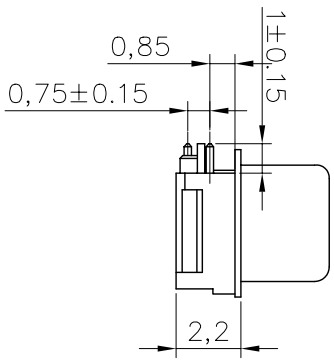


DETAIL "a"  
SCALE (4:1)



- NOTE(1):  
070922FR015 □ □ 01CY
- Selective plating
    - 'S1,-05u" Min. gold in contact area/ 100u" Min. Tin in solder area.
    - 'S2,-Gold flash in contact area/ 100u" Min. Tin in solder area.
    - 'S3,-10u" Min. gold in contact area/ 100u" Min. Tin in solder area.
    - 'S4,-15u" Min. gold in contact area/ 100u" Min. Tin in solder area.
    - 'S5,-30u" Min. gold in contact area/ 100u" Min. Tin in solder area.
    - 'S6,-50u" Min. gold in contact area/ 100u" Min. Tin in solder area.

5	Rivet	Brass	Nickel plated
4	Fork	Brass	Tin plated
3	Shell	SPCC	Nickel plated
2	Terminal	Pho. Bronze	Gold/Tin plated
1	Plastics	High Temp Plastics	Blue UL94V-0
NO.	DESCRIPTION	MATERIAL	COLOR
			REMARK

**SUYN**  
CONNECTOR

CUSTOMER TITLE: 15 PIN D-SUB CONNECTOR FEMALE  
COPY R/A TYPE LOW PROFILE

ECN (DCN) NO.	REV	DATE	DESCRIPTION	CHANGE APPRO.	GENERAL TOLERANCE UNLESS OTHERWISE NOTED	APPRO.	DRAW	ANGLE	±2°
	0		NEW		30 ~ 10 ~ 30 ~ 10		DESIGN	30 ~ 10 ~ 30 ~ 10	±0.50 ±0.30 ±0.15
							CHECK		
							SCALE		
							UNIT		
							mm		
							A4		