

Monolithic Quad SPST CMOS Analog Switches

(Obsolete for non-hermetic. Use DG201B/202B as pin-for-pin replacements.)

FEATURES

- $\pm 15\text{-V}$ Input Range
- Low Off Leakage— $I_{D(on)}$: 0.1 nA
- Low On-Resistance— $r_{DS(on)}$: 115 Ω
- 44-V Maximum Supply Ratings
- TTL and CMOS Compatible

BENEFITS

- Wide Input Range
- Low Distortion Switching
- Can Be Driven from Comparators or Op Amps Without Limiting Resistors

APPLICATIONS

- Disk Drives
- Radar Systems
- Communications Systems
- Sample-and-Hold

DESCRIPTION

The DG201A_MIL and DG202_MIL are quad SPST analog switches designed to provide accurate switching over a wide range of input signals. When combining a low on-resistance and a wide signal range ($\pm 15\text{ V}$) with low charge-transfer these devices are well suited for industrial and military applications.

switches will block up to 30 V peak-to-peak and have a 44-V absolute maximum power supply rating.

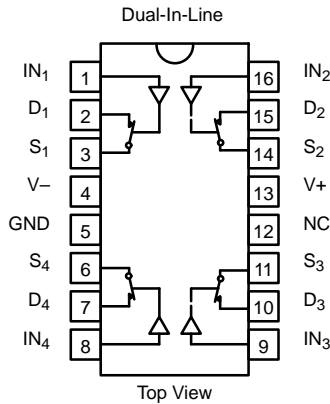
These two devices are differentiated by the type of switch actions (See Truth Table).

Built on Vishay Siliconix' high voltage metal gate process to achieve optimum switch performance, each switch conducts equally well in both directions when on. When off these

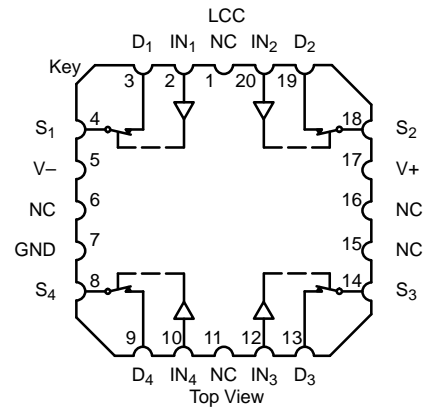
The DG201A_MIL/202_MIL are available in hermetic packages. For plastic packages, use the DG201B/202B as pin-for-pin replacements.

FUNCTIONAL BLOCK DIAGRAM AND PIN CONFIGURATION

DG201A_MIL



DG201A_MIL



Logic	DG201A_MIL	DG202_MIL
0	ON	OFF
1	OFF	ON

Logic "0" $\leq 0.8\text{ V}$
 Logic "1" $\geq 2.4\text{ V}$



ORDERING INFORMATION		
Temp Range	Package	Part Number
-55 to 125°C	16-Pin CerDIP	DG201AAK
		DG201AAK/883, JM38510/12302BEA
		7705301EA
		DG202AK
		DG202AK/883
-55 to 125°C	16-Pin Sidebrazed	JM38510/12302BEC
		7705301EC
	LCC-20	77053012A

ABSOLUTE MAXIMUM RATINGS

Voltages Referenced to V-

V+ 44 V

GND 25 V

Digital Inputs^a V_S, V_D (V-) -2 V to (V+) +2 V
or 20 mA, whichever occurs first

Current, Any Terminal Except S or D 30 mA

Continuous Current, S or D 20 mA

Peak Current, S or D
(Pulsed at 1 ms, 10% duty cycle max) 70 mA

Storage Temperature (K, Z Suffix) -65 to 150°C
(J, Y Suffix) -65 to 125°C

Power Dissipation (Package)^b

16-Pin CerDIP and Sidebrazed^c 900 mW

LCC-20^d 750 mW

- Notes:
- a. Signals on S_X, D_X, or IN_X exceeding V+ or V- will be clamped by internal diodes. Limit forward diode current to maximum current ratings.
 - b. All leads welded or soldered to PC Board.
 - c. Derate 12 mW/°C above 75°C
 - d. Derate 10 mW/°C above 75°C

SCHEMATIC DIAGRAM (TYPICAL CHANNEL)

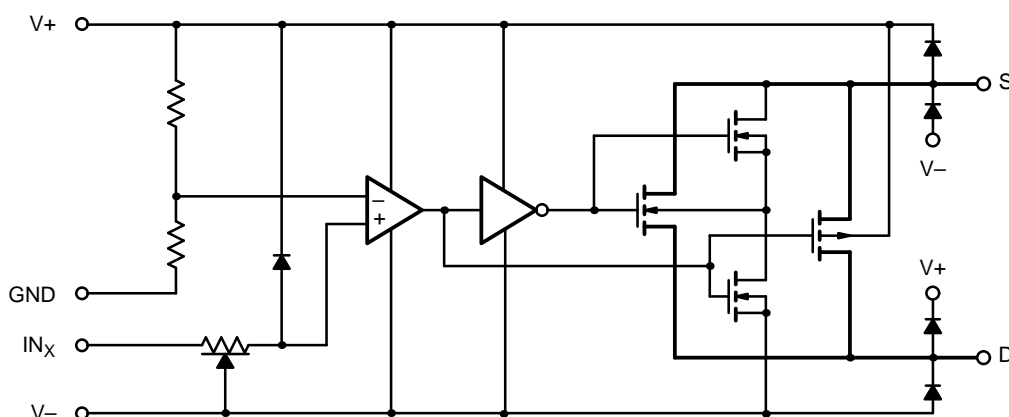


FIGURE 1.



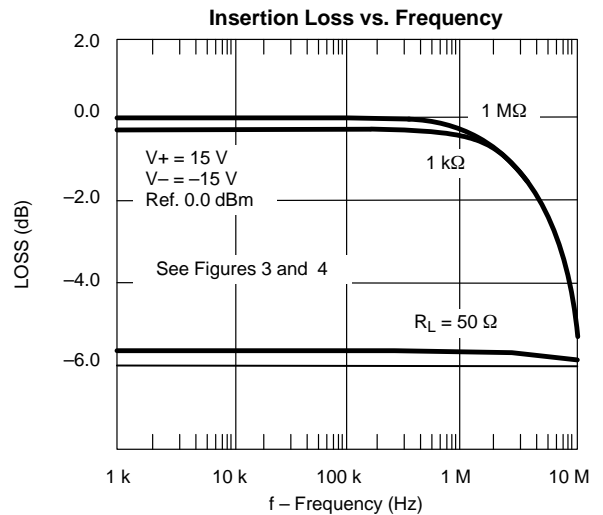
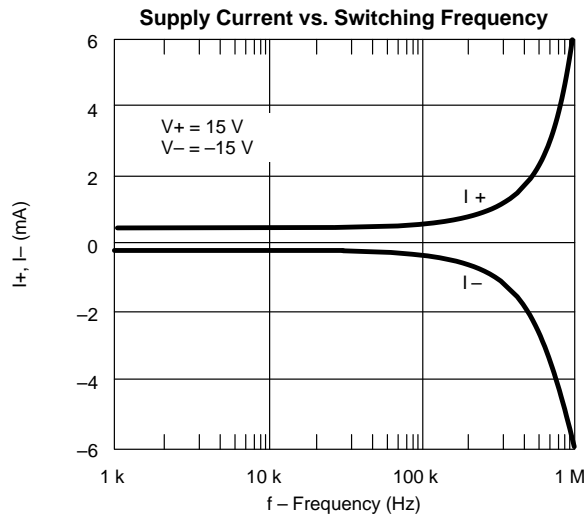
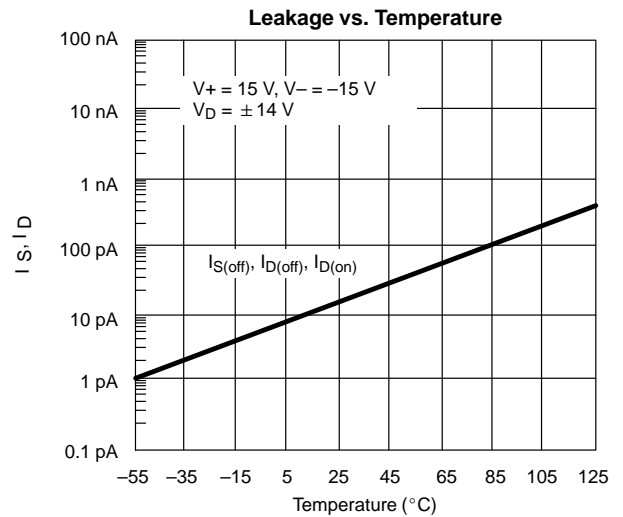
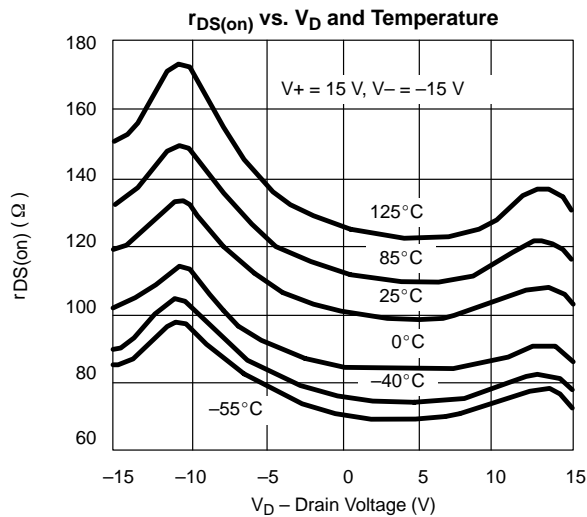
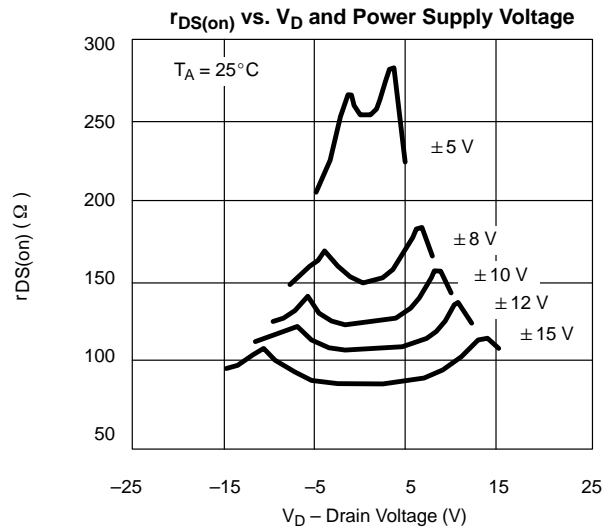
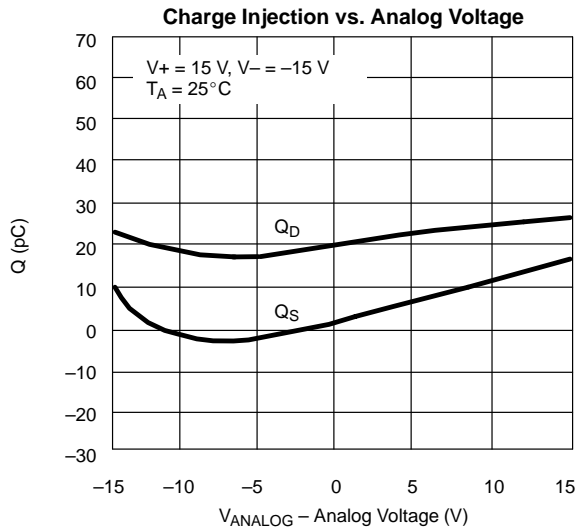
SPECIFICATIONS ^a							
Parameter	Symbol	Test Conditions Unless Specified $V_+ = 15\text{ V}, V_- = -15\text{ V}$ $V_{IN} = 2.4\text{ V}, 0.8\text{ V}^f$	Temp ^b	A Suffix -55 to 125°C			Unit
				Min ^d	Typ ^c	Max ^d	
Analog Switch							
Analog Signal Range ^e	V_{ANALOG}		Full	-15		15	V
Drain-Source On-Resistance	$r_{DS(on)}$	$V_D = \pm 10\text{ V}, I_S = 1\text{ mA}$	Room		115	175	Ω
			Full			250	
Source Off Leakage Current	$I_{S(off)}$	$V_S = \pm 14\text{ V}, V_D = \mp 14\text{ V}$	Room Full	-1 -100	± 0.02	1 100	nA
Drain Off Leakage Current	$I_{D(off)}$	$V_D = \pm 14\text{ V}, V_S = \mp 14\text{ V}$	Room Full	-1 -100	± 0.02	1 100	
Drain On Leakage Current	$I_{D(on)}$	$V_S = V_D = \pm 14\text{ V}$	Room Full	-1 -200	± 0.15	1 200	
Digital Control							
Input Current with Input Voltage High	I_{INH}	$V_{IN} = 2.4\text{ V}$	Room Full	-1 -1	-0.0004		μA
		$V_{IN} = 15\text{ V}$	Room Full		0.003	1 10	
Input Current with Input Voltage Low	I_{INL}	$V_{IN} = 0\text{ V}$	Room Full	-1 -10	-0.0004		
Dynamic Characteristics							
Turn-On Time	t_{ON}	See Switching Time Test Circuit	Room		480	600	ns
Turn-Off Time	t_{OFF}		Room		370	450	
Charge Injection	Q	$C_L = 1000\text{ pF}, V_g = 0\text{ V}$ $R_g = 0\ \Omega$	Room		20		pC
Source-Off Capacitance	$C_{S(off)}$	$V_S = 0\text{ V}, V_{IN} = 5\text{ V}, f = 1\text{ MHz}$	Room		5		pF
Drain-Off Capacitance	$C_{D(off)}$		Room		5		
Channel On Capacitance	$C_{D(on)} + C_{S(on)}$	$V_D = V_S = 0\text{ V}, V_{IN} = 0\text{ V}$ $f = 1\text{ MHz}$	Room		16		
Off Isolation	OIRR	$V_{IN} = 5\text{ V}, R_L = 75\ \Omega$ $V_S = 2\text{ V}, f = 100\text{ kHz}$	Room		70		dB
Channel-to-Channel Crosstalk	X _{TALK}		Room		90		
Power Supply							
Positive Supply Current	I ₊	All Channels On or Off	Room		0.9	2	mA
Negative Supply Current	I ₋		Room	-1	-0.3		

Notes:

- a. Refer to PROCESS OPTION FLOWCHART.
- b. Room = 25°C, Full = as determined by the operating temperature suffix.
- c. Typical values are for DESIGN AID ONLY, not guaranteed nor subject to production testing.
- d. The algebraic convention whereby the most negative value is a minimum and the most positive a maximum, is used in this data sheet.
- e. Guaranteed by design, not subject to production test.
- f. V_{IN} = input voltage to perform proper function.

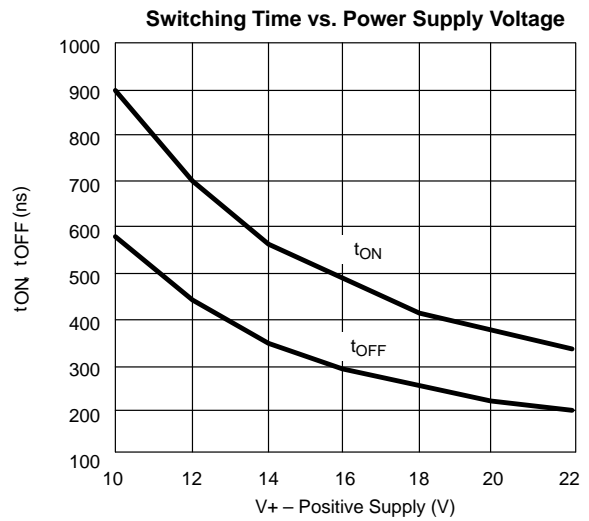
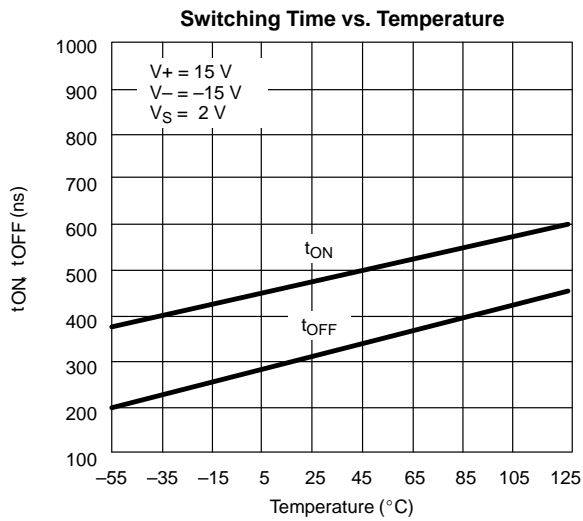
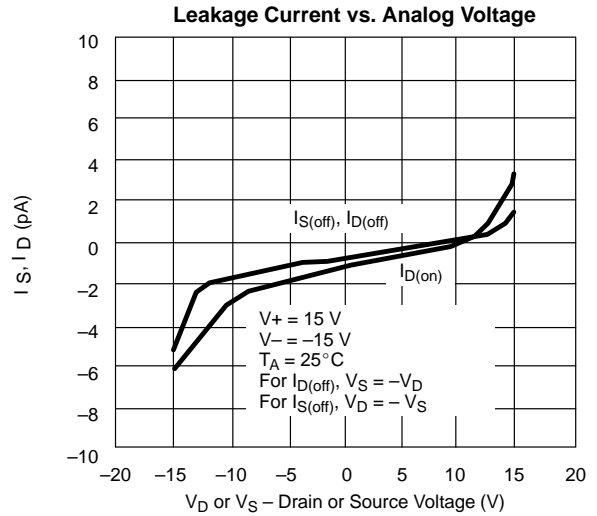
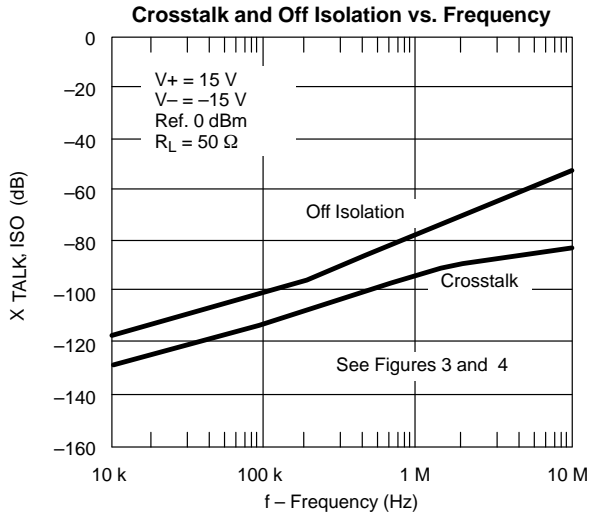


TYPICAL CHARACTERISTICS (25°C UNLESS NOTED)





TYPICAL CHARACTERISTICS (25°C UNLESS NOTED)



TEST CIRCUITS

V_O is the steady state output with switch on. Feedthrough via gate capacitance may result in spikes at leading and trailing edge of output waveform.

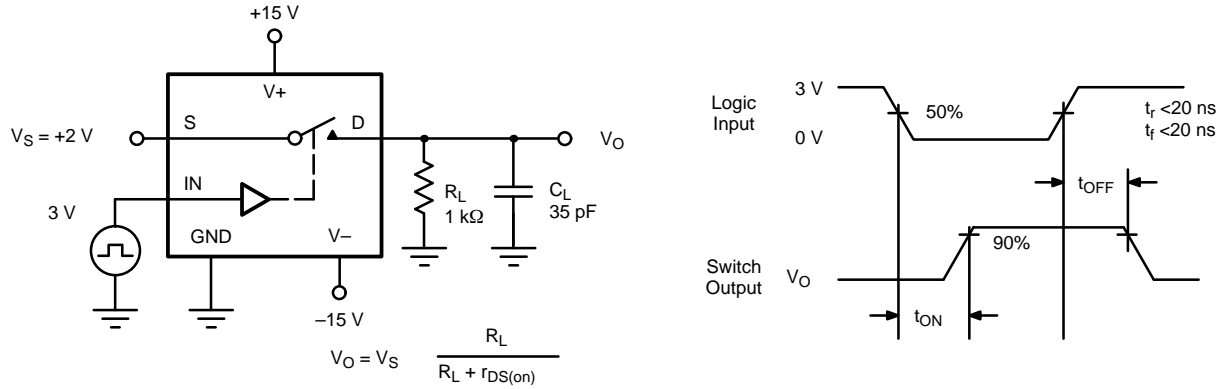


FIGURE 2. Switching Time

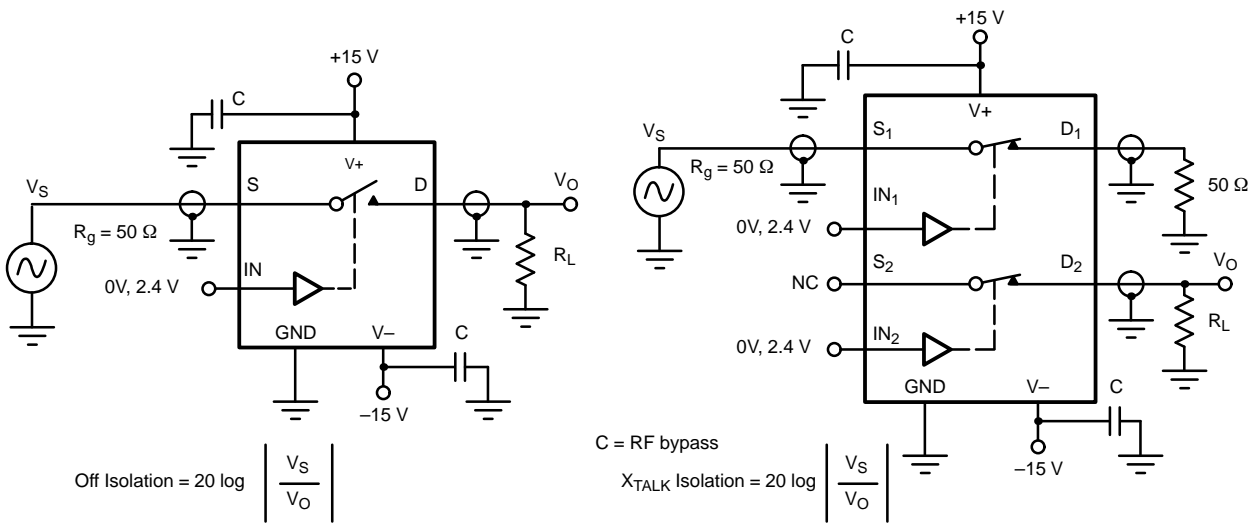


FIGURE 3. Off Isolation

FIGURE 4. Channel-to-Channel Crosstalk

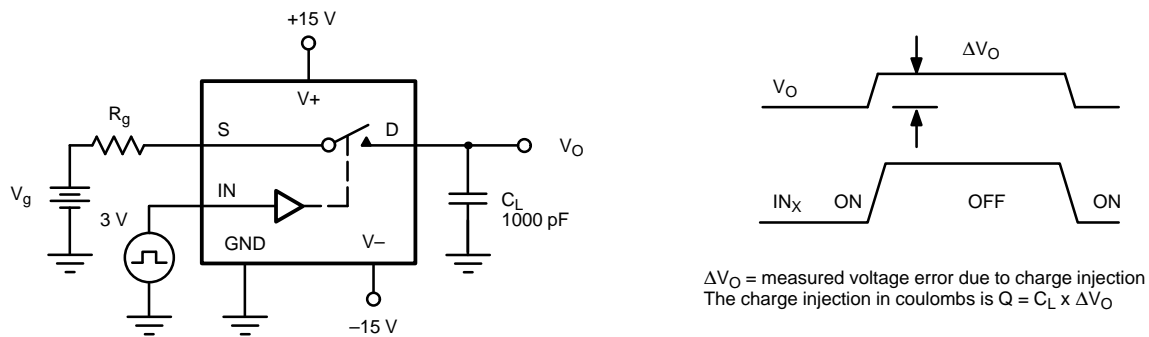


FIGURE 5. Charge Injection

APPLICATION HINTS ^a			
V+ Positive Supply Voltage (V)	V- Negative Supply Voltage (V)	V _{IN} Logic Input Voltage V _{INH(min)} /V _{INL(max)} (V)	V _S or V _D Analog Voltage Range (V)
15	-15	2.4/0.8	-15 to 15
10	-12	2.4/0.8	-12 to 12
12	-10	2.2/0.6	-10 to 10
8 ^b	-8	2.0/0.5	-8 to 8

Notes:

- a. Application Hints are for DESIGN AID ONLY, not guaranteed and not subject to production testing.
- b. Operation below ±8 V is not recommended.

APPLICATIONS

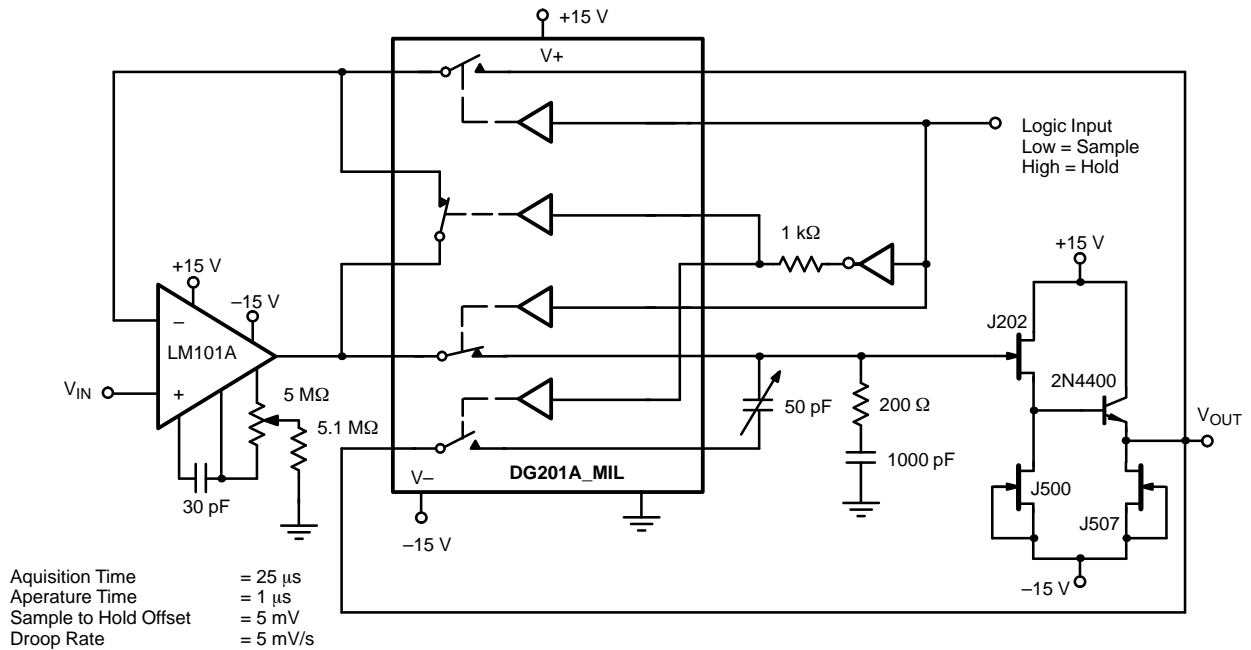


FIGURE 6. Sample-and-Hold

APPLICATIONS

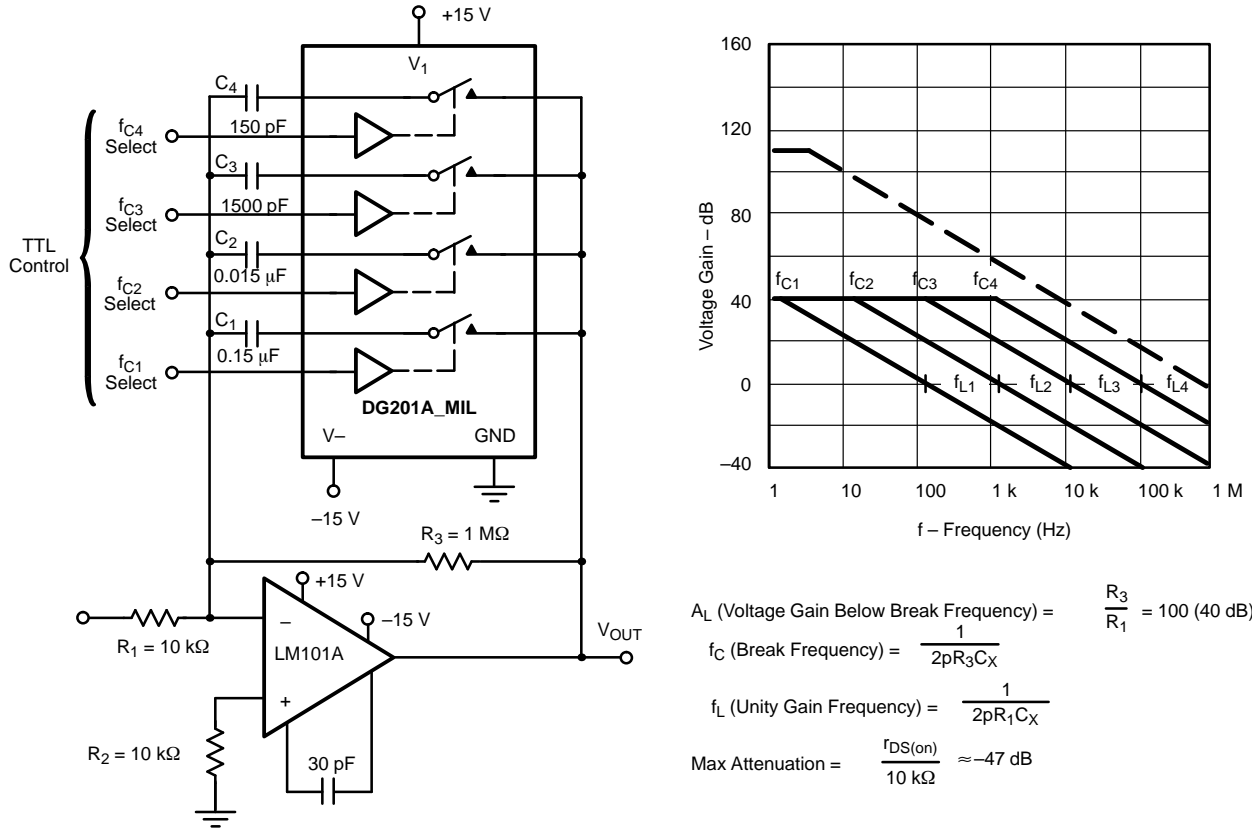


FIGURE 7. Active Low Pass Filter with Digitally Selected Break Frequency

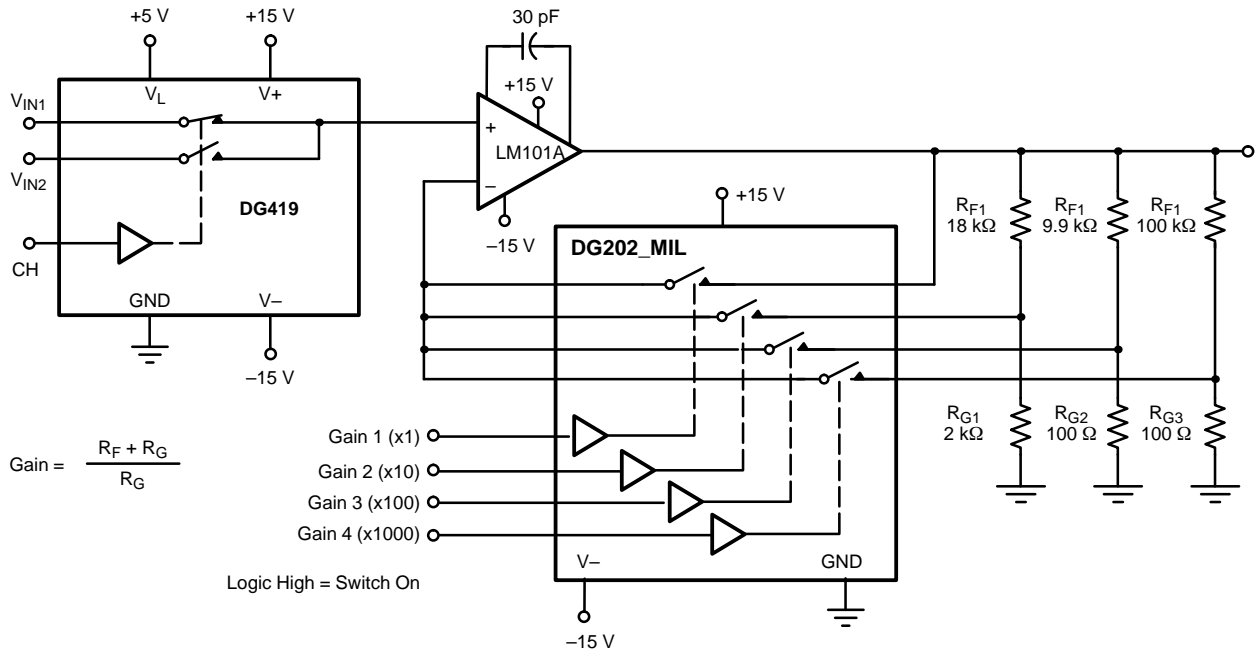


FIGURE 8. A Precision Amplifier with Digitally Programmable Input and Gains



Disclaimer

All product specifications and data are subject to change without notice.

Vishay Intertechnology, Inc., its affiliates, agents, and employees, and all persons acting on its or their behalf (collectively, "Vishay"), disclaim any and all liability for any errors, inaccuracies or incompleteness contained herein or in any other disclosure relating to any product.

Vishay disclaims any and all liability arising out of the use or application of any product described herein or of any information provided herein to the maximum extent permitted by law. The product specifications do not expand or otherwise modify Vishay's terms and conditions of purchase, including but not limited to the warranty expressed therein, which apply to these products.

No license, express or implied, by estoppel or otherwise, to any intellectual property rights is granted by this document or by any conduct of Vishay.

The products shown herein are not designed for use in medical, life-saving, or life-sustaining applications unless otherwise expressly indicated. Customers using or selling Vishay products not expressly indicated for use in such applications do so entirely at their own risk and agree to fully indemnify Vishay for any damages arising or resulting from such use or sale. Please contact authorized Vishay personnel to obtain written terms and conditions regarding products designed for such applications.

Product names and markings noted herein may be trademarks of their respective owners.